

## M08026

### HD/SD Serial Digital Video Cable Equalizer

The M08026 is a high-speed, low-power, adaptive co-axial cable equalizer designed to increase the maximum low-jitter transmission distance of serial digital video signals across commonly used bandwidth-limiting 75Ω coaxial cable.

The M08026 is designed for data rates at 1.485 Gb/s and 270 Mb/s to support serial digital video transmission for standard definition (525i and 625i) and high definition (720p, 1080i, and 1080p) component video. The device also supports 8-bit or 10-bit component digital video (RGB or YCbCr 4:4:4 sampled and YCbCr 4:2:2 or 4:2:0 sampled).

This device automatically optimizes the transfer function based on the bit rate and cable length to minimize the inter-symbol interference (ISI) jitter caused by the cable and to remove the DC offset components introduced with the pathological video pattern and AC coupling in systems.

The low-noise, high-gain equalizer allows for low jitter HD transmissions up to a length of 200m (Belden 1694A) and 120m (Belden 8281). For SD data rate, cable lengths up to 400m (Belden 1694A) and 300m (Belden 8281) are supported.

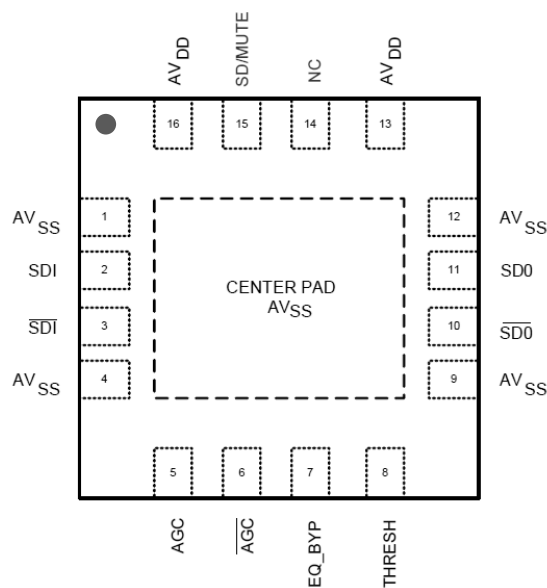


Figure 1 – M08026 Pin-out diagram



### M08026

Serial Digital Video  
Cable Equalizer for  
1.485 Gb/s,  
and 270 Mb/s  
data rates

### > Applications

- Digital Video Recorders (DVR)
- Video Mixers and Switchers
- Surveillance / CCTV Cameras
- Industrial and Professional Cameras
- Digital Image Capture Devices
- Digital Video Displays
- Distribution Amplifiers
- Repeaters

Features	Benefits
Adaptive cable equalization	Design flexibility and control
Optimized data rates at 270 Mb/s to 1.485 Gb/s	Single Chip Solution for multiple data rates
Allows typical equalized length of up to 200m (Belden 1694A) and 120m (Belden 8281) for transmission at 1.485 Gb/s	Extend industry standard cable lengths
Allows typical equalized length of up to 400m (Belden 1694A) and 300m (Belden 8281) for transmission at 270 Mb/s	Extend industry standard cable lengths
Mute and manual bypass mode	Supports non standard rates
Differential CML outputs (50 Ω on-chip terminations)	Low cost integration
Single 3.3V power supply	Standard voltage supply supported
Small form factor and foot print (4x4 mm <sup>2</sup> , 16-pin QFN package)	Industry standard package
Low power dissipation	Low power and thermal management costs
Extended operating temperature range: -10°C to +85 °C	Provides additional margin for various applications

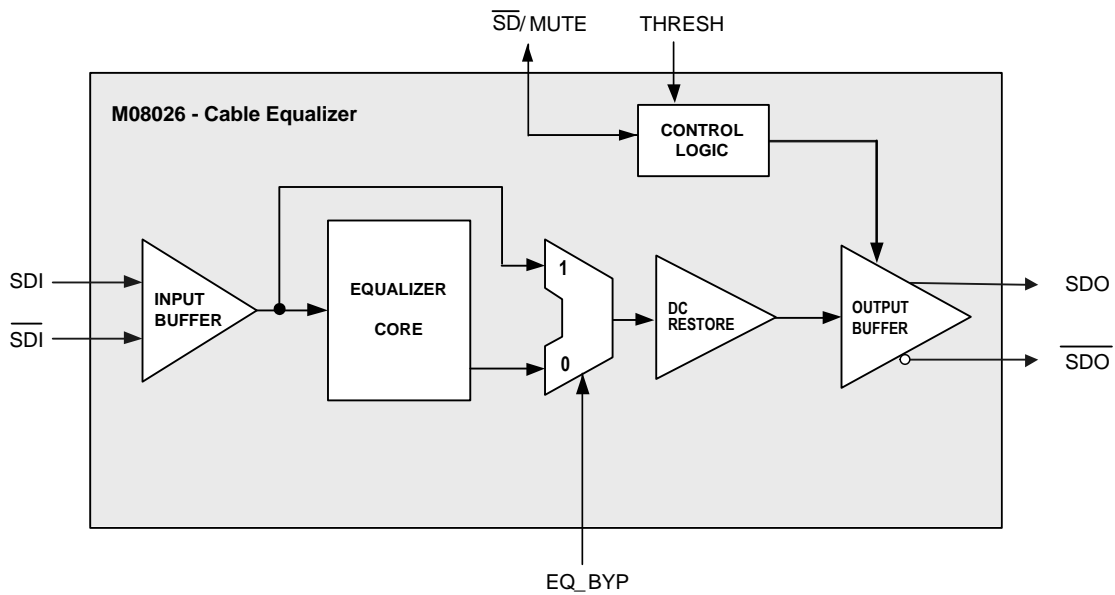


Figure 2 – M08026 Functional Block Diagram

### Package (RoHS Compliant)

- 4x4 mm<sup>2</sup>, 16-pin QFN



For more product information, please visit [www.mindspeed.com](http://www.mindspeed.com)

### MINDSPEED

[www.mindspeed.com/salesoffices](http://www.mindspeed.com/salesoffices)  
 General Information: (949) 579-3000  
 Headquarters – Newport Beach  
 4000 MacArthur Blvd., East Tower  
 Newport Beach, CA 92660-3007

© 2011 Mindspeed Technologies, Inc. All rights reserved. Mindspeed and the Mindspeed logo are trademarks of Mindspeed Technologies. All other trademarks are the property of their respective owners. Although Mindspeed Technologies strives for accuracy in all its publications, this material may contain errors or omissions and is subject to change without notice. This material is provided as is and without any express or implied warranties, including merchantability, fitness for a particular purpose and non-infringement. Mindspeed Technologies shall not be liable for any special, indirect, incidental or consequential damages as a result of its use.