

WS1A3640

GaN on SiC Power Amplifier Module for 5G

Description

The WS1A3640 is an Asymmetric Doherty Power Amplifier Module (PAM) integrating the GaN on SiC HEMT transistors with matching and biasing networks on a multilayer laminate substrate with advanced heat sinking technology. The WS1A3640 has been designed to operate from 3300 MHz to 3800 MHz, from supply voltages up to 50 V, at average output power levels of 8 to 10 W with crest-factor reduced and digitally pre-distorted LTE and 5G NR signals with instantaneous bandwidths of 200 MHz or more. The device is housed in a 6 mm X 6 mm land grid array (LGA) package.

Features

- GaN on SiC technology
- Frequency: 3300-3800 MHz
- Average Output Power: 39.5 dBm
- $P_{SAT} = 48$ dBm
- RF inputs matched to 50 Ω and DC matched blocked
- Gate bias supply for main and peak sides available from either side of device
- Integrated harmonic terminations
- Pb-free and RoHS compliant



WS1A3640
Package PG-LGA-6x6-3-1

Typical Broadband Performance

Single-carrier LTE Performance (tested in the applications circuit for 3400 – 3800 MHz)

$V_{DD} = 48$ V, $I_{DQ(main)} = 70$ mA, $V_{GS(peak)} = -5$ V, channel bandwidth = 18.015 MHz, input PAR = 10 dB @ 0.01% CCDF

	P_{OUT} (dBm)	Gain (dB)	Efficiency (%)	ACPR – (dBc)	ACPR + (dBc)	PAR (dB)
3400 MHz	39.5	13.5	49.6	-25	-26	8.0
3600 MHz	39.5	13.0	51.0	-32	-33	8.4
3800 MHz	39.5	12.5	50.0	-35	-36	7.8

All published data at $T_{CASE} = 25^{\circ}C$ unless otherwise indicated



Maximum Ratings at $T_{CASE} = 25^{\circ}C$

Parameter		Symbol	Value	Unit
Drain-source Voltage		V_{DSS}	125	V
Gate-source Voltage		V_{GS}	-10 to +2	V
Operating Voltage		V_{DD}	55	V
RF Input Power (main)	Pulse CW, 10% duty cycle, 20 μs pulse width	P_{IN}	35.5	dBm
(peak)		P_{IN}	38.5	dBm
Case Temperature		T_C	135	$^{\circ}C$
Storage Temperature Range		T_{STG}	-65 to +150	$^{\circ}C$

Operation above the maximum values listed here may cause permanent damage. Maximum ratings are absolute ratings; exceeding only one of these values may cause irreversible damage to the component. Exposure to absolute maximum rating conditions for extended periods may affect device reliability. For reliable continuous operation, the device should be operated within the operating voltage range (V_{DD}) specified above.

DC Characteristics

Characteristics	Conditions	Symbol	Min	Typ	Max	Unit
Drain-Source Breakdown Voltage (main)	$V_{GS} = -8 V, I_D = 3.4 mA$	$V_{(BR)DSS}$	150	—	—	V
(peak)	$V_{GS} = -8 V, I_D = 5.6 mA$	$V_{(BR)DSS}$	150	—	—	V
Gate Leakage Current	$V_{GS} = -8 V, V_{DS} = 50 V$	I_{GSS}	—	—	-1.5	mA
Gate Threshold Voltage (main)	$V_{DS} = 10 V, I_D = 3.4 mA$	$V_{GS(th)}$	-3.8	-3.0	-2.3	V
(peak)	$V_{DS} = 10 V, I_D = 5.6 mA$	$V_{GS(th)}$	-3.8	-3.0	-2.3	V

Recommended Operating Conditions

Parameter	Conditions	Symbol	Min	Typ	Max	Unit
Operating Voltage		V_{DD}	0	—	50	V
Gate Quiescent Voltage (main)	$V_{DS} = 48 V, I_D = 30 mA$	$V_{GS(Q)}$	-3.6	-3.1	-2.6	V
(peak)	$V_{DS} = 48 V, I_D = 40 mA$	$V_{GS(Q)}$	-3.6	-3.1	-2.6	V

Moisture Sensitivity Level

Level	Test Standard	Package Temperature	Unit
3	IPC/JEDEC J-STD-020	260	$^{\circ}C$

ESD Characteristics

Parameter	Class	Standard
Human Body Model (HBM)	Class 1B	ANSI/ESDA/JEDEC JS-001
Charge Device Model (CDM)	Class 3C	ANSI/ESDA/JEDEC JS-002

RF Characteristics (tested in the production test fixture)

 $V_{DD} = 48\text{ V}$, Pulse CW 10% duty cycle, 20 μs pulse width

Parameter	Symbol	Conditions	Main		Peak		Unit
			Min	Max	Min	Max	
3500 MHz							
Gain	G	$P_{OUT} = 38\text{ dBm}$ (main) $P_{OUT} = 40\text{ dBm}$ (peak)	14	18	13	17	dB
Saturated Power	P_{SAT}	$I_{DQ} = 30\text{ mA}$ (main) $I_{DQ} = 40\text{ mA}$ (peak)	42	-	45	-	dBm
Efficiency	Eff	$I_{DQ} = 30\text{ mA}$, P_{SAT}	41	-	41	-	%
3700 MHz							
Gain	G	$P_{OUT} = 38\text{ dBm}$ (main) $P_{OUT} = 40\text{ dBm}$ (peak)	13	17.5	12	17	dB
Saturated Power	P_{SAT}	$I_{DQ} = 30\text{ mA}$ (main) $I_{DQ} = 40\text{ mA}$ (peak)	42	-	44	-	dBm
Efficiency	Eff	$I_{DQ} = 30\text{ mA}$, P_{SAT}	48	-	44	-	%

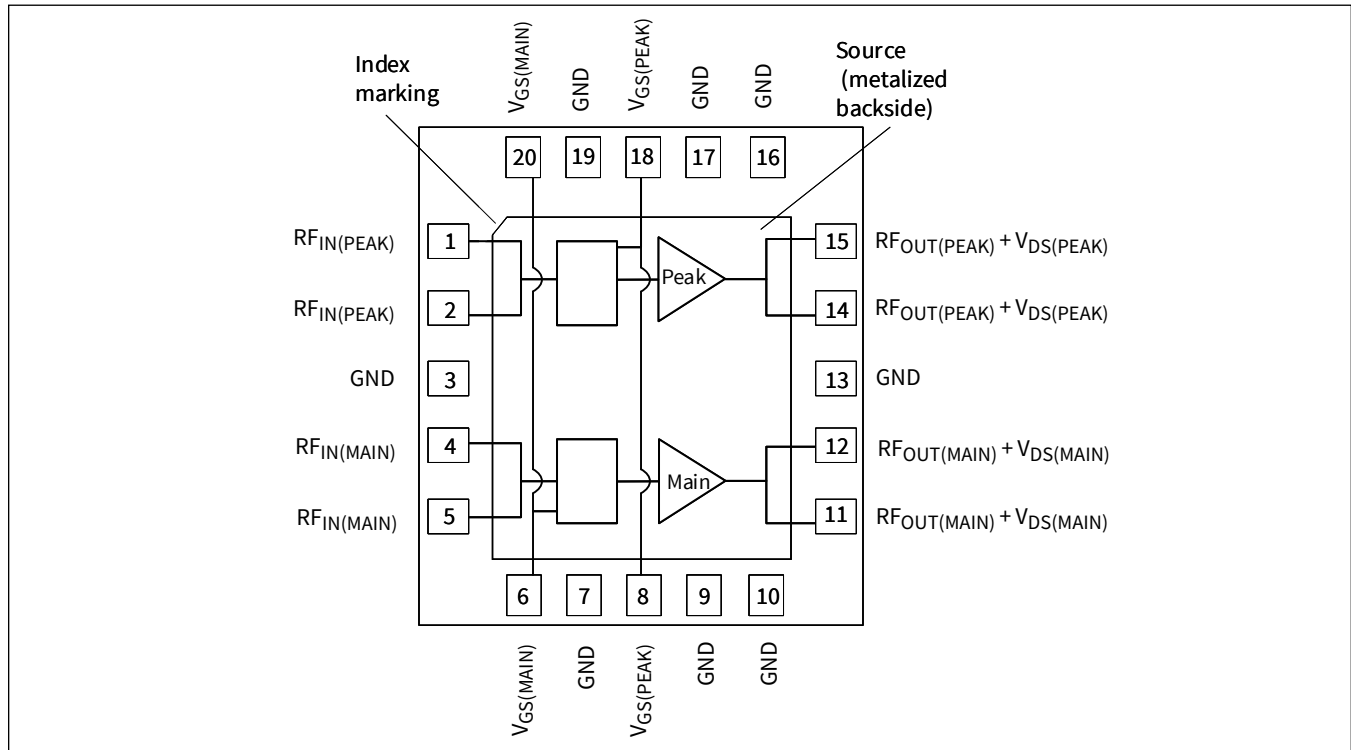
Ordering Information

Order Code	Description
WS1A3640-V2-R00A	Sample Quantities
WS1A3640-V2-R1	330 mm (13") Reel 100 pcs
WS1A3640-V2-R3K	330 mm (13") Reel 3,000 pcs
FXA/WS1A3640V2-08	3.3-3.6 GHz WS1A3640 Evaluation Board
FXA/WSGPA01V1-14	3.3-3.6 GHz WSGPA01 Evaluation Board
FXL/WS1A3640V2-02	3.4-3.8 GHz Evaluation Board (WSGPA01 + WS1A3640)

Evaluation Boards - Typical RF Performance

Part Number	Frequency	P _{OUT} (dBm)	Eff (%)	Gain (dB)	PAR (dB)	ACPR+ (dBc)	ACPR- (dBc)
Output Stage : WS1A3640							
Single-carrier LTE Performance, V _{DD} = 48 V, I _{DQ(main)} = 70 mA, channel bandwidth = 18.015 MHz, input PAR = 10 dB @ 0.01% CCDF							
FXA/WS1A3640V2-08	3.3-3.6 GHz	39.5	53	13.5	8.2	-28	-28
WSGPA01 Driver							
Single-carrier WCDMA Performance, V _{DD} = 48 V, I _{DQ} = 25 mA, channel bandwidth = 3.84 MHz, input PAR = 10 dB @ 0.01% CCDF							
FXA/WSGPA01V1-14	3.3-3.6 GHz	26.5	18	16	8.9	-45.1	-45.8
Board with Integrated WSGPA01 Driver and WS1A3640 Output Stage							
Single-carrier WCDMA Performance, V _{DD} = 48 V, I _{DQ} = 70 mA, I _{DQ(driver)} = 25 mA, channel bandwidth = 3.84 MHz, input PAR = 10 dB @ 0.01% CCDF							
FXL/WS1A3640V2-02	3.4-3.8 GHz	39.5	45	29	8.0	-31	-31

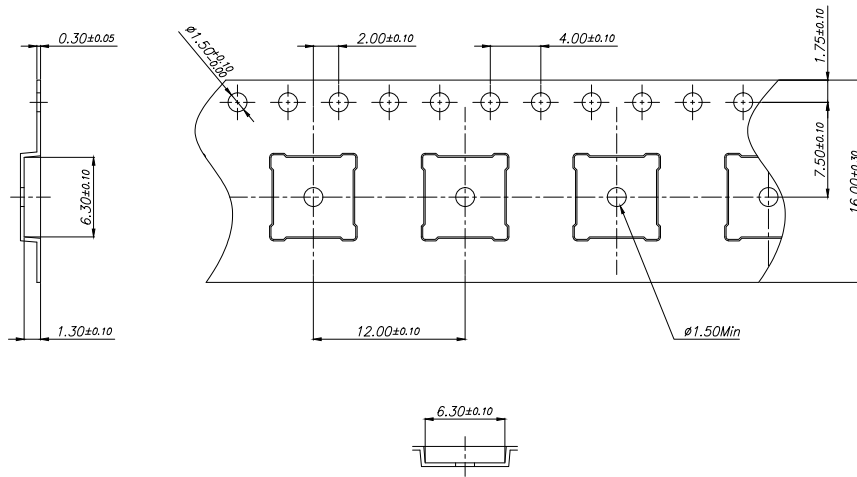
Pinout Diagram (top view)



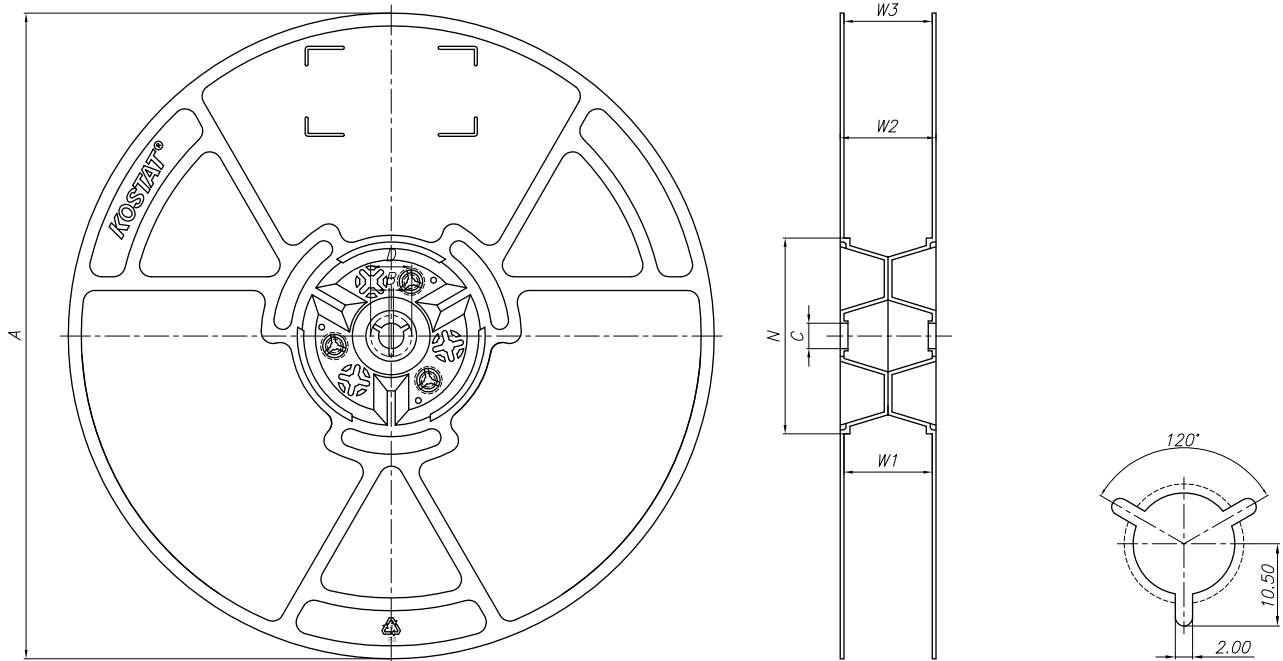
Bias Sequencing

Bias ON	Bias OFF
1. Ensure RF is turned off	1. Turn RF off
2. Apply pinch-off voltage of -5 V to the gate	2. Apply pinch-off voltage to the gate
3. Apply nominal drain voltage	3. Turn-off drain voltage
4. Bias gate to desired quiescent drain current	4. Turn-off gate voltage
5. Apply RF	

Tape and Reel Information

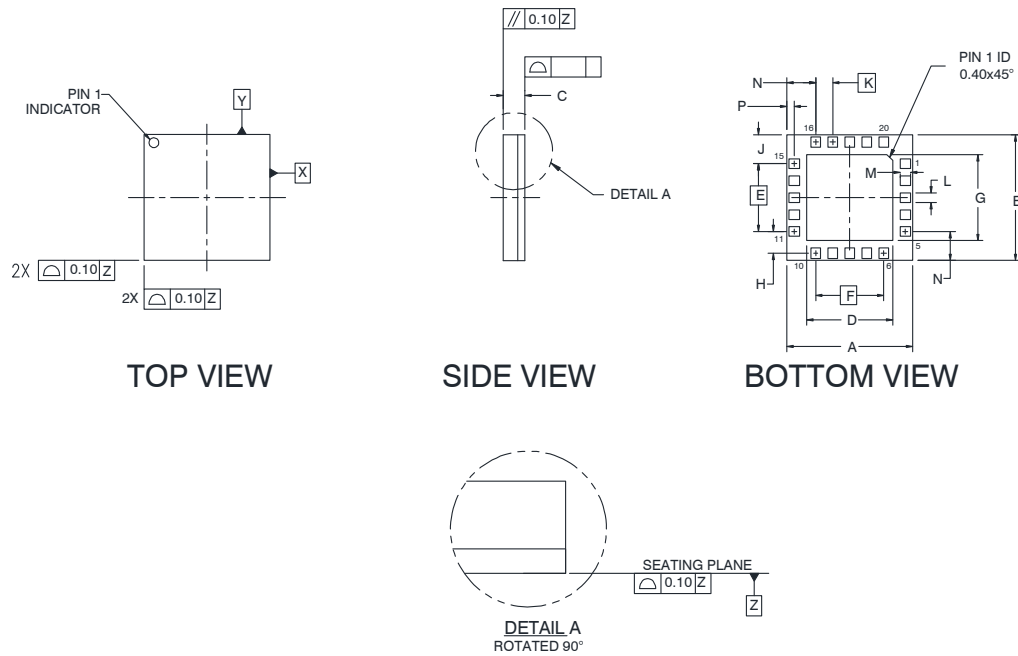


- (I) 10 sprocket hole pitch cumulative tolerance ± 0.20
 - (II) Camber not to exceed 1 mm in 250 mm
 - (III) Material : Black conductive Polystyrene
 - (IV) Ao and Bo measured on a plane 0.3 mm above the bottom of the pocket.
 - (V) Ko measured from a plane on the inside bottom of the pocket to the top surface of the carrier
 - (VI) Pocket position relative to sprocket hole measured as true position of pocket, not pocket hole
- ALL DIMENSIONS IN MILLIMETERS UNLESS OTHERWISE STATED.



Size	A	B	C	D	N	W1	W2	W3
16mm	330 ^{+2.0} _{-2.0}	1.5min	13.0 ^{+0.5} _{-0.2}	20.2 min	100 ^{+3.0} _{-0.0}	16.4 ^{+2.0} _{-0.0}	20.4 ^{+2.0} _{-2.0}	17.65 ^{+1.75} _{-1.75}

Package Outline Specifications-Package PG-LGA-6x6-3-1



DIM	INCHES			MILLIMETERS		
	MIN	TYP	MAX	MIN	TYP	MAX
A	.234	.236	.238	5.95	6.00	6.05
B	.234	.236	.238	5.95	6.00	6.05
C	.037	.041	.045	0.93	1.03	1.13
D	.157	.161	.165	4.00	4.10	4.20
E	—	.128	—	—	3.24	—
F	—	.128	—	—	3.24	—
G	—	.161	—	—	4.10	—
H	—	.041	—	—	1.03	—
J	.054	.054	.055	1.37	1.38	1.39
K	—	.032	—	—	0.81	—
L	—	.018	—	—	0.46	—
M	—	.020	—	—	0.50	—
N	.054	.054	.055	1.37	1.38	1.39
P	.013	.014	.014	0.34	0.35	0.36

Diagram Notes—unless otherwise specified:

1. Interpret dimensions and tolerances per ASME Y14.5M-1994.

Notes & Disclaimer

MACOM Technology Solutions Inc. ("MACOM"). All rights reserved.

These materials are provided in connection with MACOM's products as a service to its customers and may be used for informational purposes only. Except as provided in its Terms and Conditions of Sale or any separate agreement, MACOM assumes no liability or responsibility whatsoever, including for (i) errors or omissions in these materials; (ii) failure to update these materials; or (iii) conflicts or incompatibilities arising from future changes to specifications and product descriptions, which MACOM may make at any time, without notice. These materials grant no license, express or implied, to any intellectual property rights.

THESE MATERIALS ARE PROVIDED "AS IS" WITH NO WARRANTY OR LIABILITY, EXPRESS OR IMPLIED, RELATING TO SALE AND/OR USE OF MACOM PRODUCTS INCLUDING FITNESS FOR A PARTICULAR PURPOSE, MERCHANTABILITY, INFRINGEMENT OF INTELLECTUAL PROPERTY RIGHT, ACCURACY OR COMPLETENESS, OR SPECIAL, INDIRECT, INCIDENTAL, OR CONSEQUENTIAL DAMAGES WHICH MAY RESULT FROM USE OF THESE MATERIALS.

MACOM products are not intended for use in medical, lifesaving or life sustaining applications. MACOM customers using or selling MACOM products for use in such applications do so at their own risk and agree to fully indemnify MACOM for any damages resulting from such improper use or sale.