

Features

- Optimized for Broadband Operation (DC - 4 GHz)
- 25 W P3dB CW Narrowband Power
- 10 W P3dB CW Broadband Power (0.05 - 1 GHz)
- Characterized for Operation up to 32 V
- 100% RF Tested
- Thermally-Enhanced Surface Mount Package
- High Reliability Gold Metallization Process
- Subject to EAR99 Export Control
- RoHS* Compliant

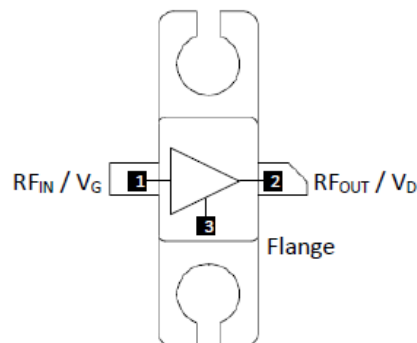
Applications

- Defense Communications
- Land Mobile Radio
- Avionics
- Wireless Infrastructure
- ISM
- VHF/UHF/L/S-Band Radar

Description

The NPTB00025 GaN HEMT is a power transistor optimized for DC - 4 GHz operation. This device supports CW, pulsed, and linear operation with output power levels to 25 W. This transistor is assembled in an industry standard surface mount plastic package.

Functional Schematic



Pin Configuration

Pin #	Pin Name	Function
1	RF _{IN} / V _G	RF Input / Gate
2	RF _{OUT} / V _D	RF Output / Drain
3	Flange ¹	Ground / Source

1. The Flange must be connected to RF and DC ground. This path must also provide a low thermal resistance heat path.

Ordering Information

Part Number	Package
NPTB00025B	30 slot tray

* Restrictions on Hazardous Substances, compliant to current RoHS EU directive.

Typical CW RF Specifications: (measured in a test fixture)

Freq. = 3 GHz, $V_{DS} = 28$ V, $I_{DQ} = 225$ mA, $T_C = 25^\circ\text{C}$

Parameter	Test Conditions	Symbol	Min.	Typ.	Max.	Units
Average Output Power	3 dB Compression 1 dB Compression	P_{3dB} P_{1dB}	22 18	25 21	—	W
Small Signal Gain	—	G_{SS}	12.5	13.5	—	dB
Drain Efficiency	3 dB Compression	η	60	65	—	%
Output Mismatch Stress	VSWR = 10:1. all phase angles, $P_{OUT} = P_{SAT}$	ψ	No performance degradation after test			

DC Electrical Characteristics: $T_C = 25^\circ\text{C}$

Parameter	Test Conditions	Symbol	Min.	Typ.	Max.	Units
Off Characteristics						
Drain-Source Breakdown Voltage	$V_{GS} = -8$ V, $I_D = 8$ mA	V_{BDS}	100	—	—	V
Drain-Source Leakage Current	$V_{GS} = -8$ V, $V_{DS} = 60$ V	I_{DLK}	—	1	5	mA
On Characteristics						
Gate Threshold Voltage	$V_{DS} = 28$ V, $I_D = 8$ mA	V_T	-2.3	-1.8	-1.3	V
Gate Quiescent Voltage	$V_{DS} = 28$ V, $I_D = 225$ mA	V_{GSQ}	-2.0	-1.5	-1.0	V
On Resistance	$V_{GS} = 2$ V, $I_D = 60$ mA	R_{ON}	—	0.44	0.55	Ω
Drain Current	$V_{DS} = 7$ V pulsed, pulse width 300 μs 0.2% Duty Cycle, $V_{GS} = 2$ V	I_D	4.9	5.4	—	A

Handling Procedures

Please observe the following precautions to avoid damage:

Static Sensitivity

Gallium Nitride Circuits are sensitive to electrostatic discharge (ESD) and can be damaged by static electricity. Proper ESD control techniques should be used when handling these HBM Class 1A devices.

Absolute Maximum Ratings^{2,3,4}

Parameter	Absolute Maximum
Drain Source Voltage, V_{DS}	100 V
Gate Source Voltage, V_{GS}	-10 to 3 V
Gate Current, I_G	40 mA
Total Device Power Dissipation (derated above +25°C)	33 W
Junction Temperature, T_J	+200°C
Operating Temperature	-40°C to +85°C
Storage Temperature	-65°C to +150°C

2. Exceeding any one or combination of these limits may cause permanent damage to this device.
3. MACOM does not recommend sustained operation near these survivability limits.
4. Operating at nominal conditions with $T_J \leq 200^\circ\text{C}$ will ensure $\text{MTTF} > 1 \times 10^6$ hours.

Thermal Characteristics⁵

Parameter	Test Conditions	Symbol	Typical	Units
Thermal Resistance	$V_{DS} = 28 \text{ V}, T_J = 200^\circ\text{C}$	$R_{\theta JC}$	5.25	°C/W

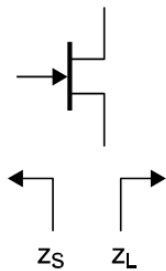
5. Junction temperature (T_J) measured using IR Microscopy. Case temperature measured using thermocouple embedded in heat-sink.

Load-Pull Data, Reference Plane at Device Leads: $V_{DS} = 28\text{ V}$, $I_{DQ} = 225\text{ mA}$, $T_C = 25^\circ\text{C}$

Table 1: Optimum Impedance Characteristics for CW Gain, Drain Efficiency, and Output Power Performance

Frequency (MHz)	Z_S (Ω)	Z_L (Ω)
800	$3.9 + j5.9$	$12.2 + j6.1$
2000	$3.7 - j5.1$	$7.7 + j1.1$
3000	$4.7 - j15.3$	$7.4 - j5.8$

Impedance Reference



Z_S is the source impedance presented to the device.
 Z_L is the load impedance presented to the device.

Z_S and Z_L vs. Frequency

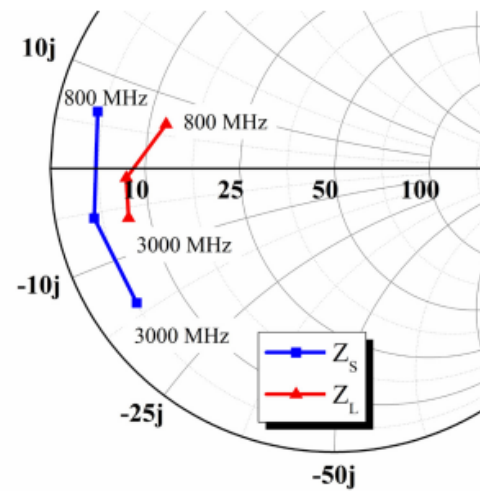


Figure 1 - Optimum Impedance Characteristics for CW Performance, $V_{DS} = 28\text{ V}$, $I_{DQ} = 225\text{ mA}$

Load-Pull Data, Reference Plane at Device Leads: $V_{DS} = 28\text{ V}$, $I_{DQ} = 225\text{ mA}$, $T_A = 25^\circ\text{C}$

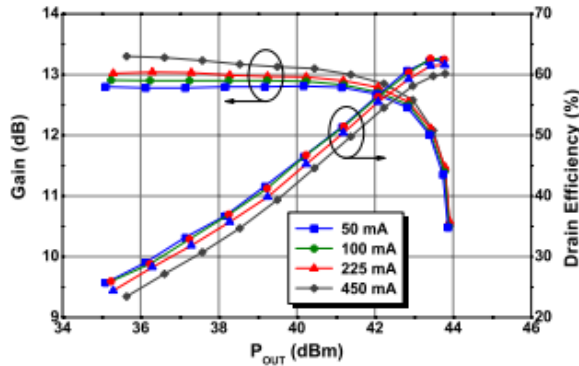


Figure 2 - Typical CW Performance, Over Current, Frequency = 3000 MHz

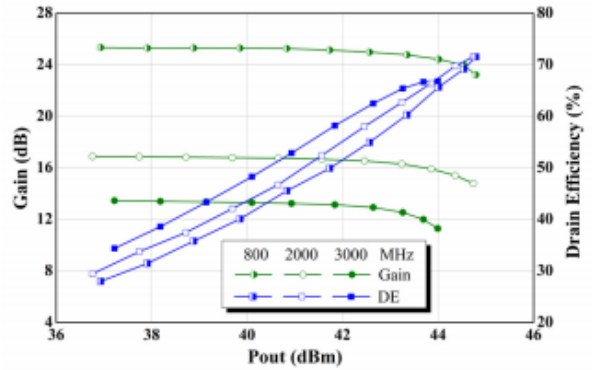


Figure 3 - Typical CW Performance, Over Frequency

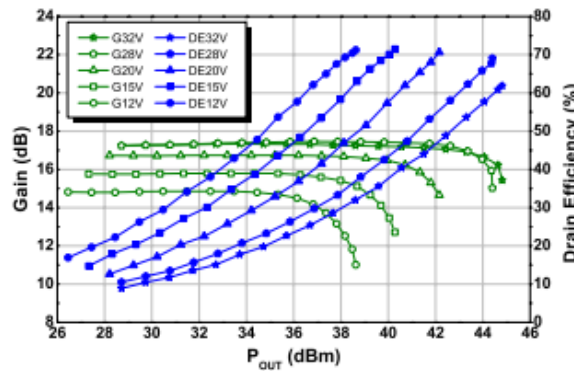


Figure 4 - Typical CW Performance Over Voltage, Impedances Held Constant, Frequency = 1800 MHz

Typical Device Characteristics: $V_{DS} = 28\text{ V}$, $I_{DQ} = 225\text{ mA}$, $T_A = 25^\circ\text{C}$

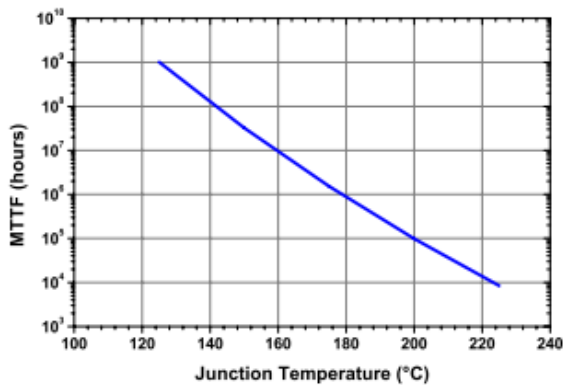


Figure 5 - MTTF of NRF1 Devices as a Function of Junction Temperature

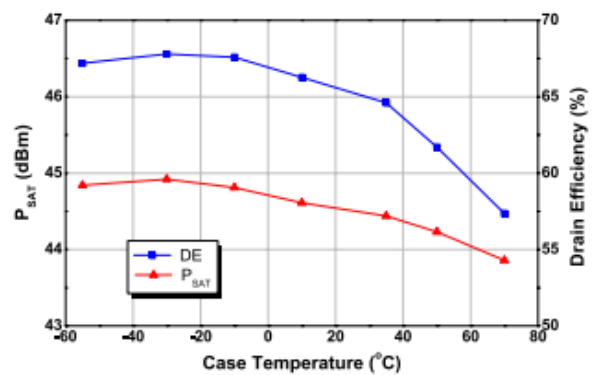


Figure 6 - Typical CW Performance in test fixture, Frequency = 3000 MHz

NPTB00025 3000 MHz, CW Production Test Fixture

$V_{DS} = 28\text{ V}$, $I_{DQ} = 225\text{ mA}$, $T_A = 25^\circ\text{C}$

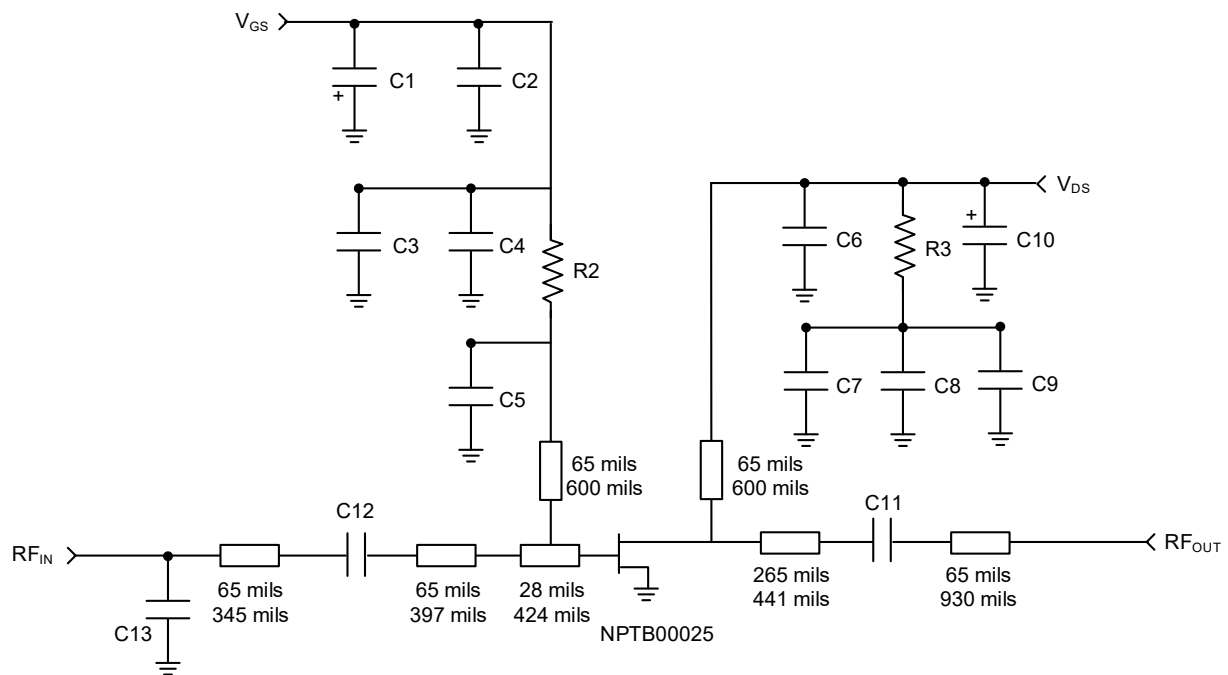
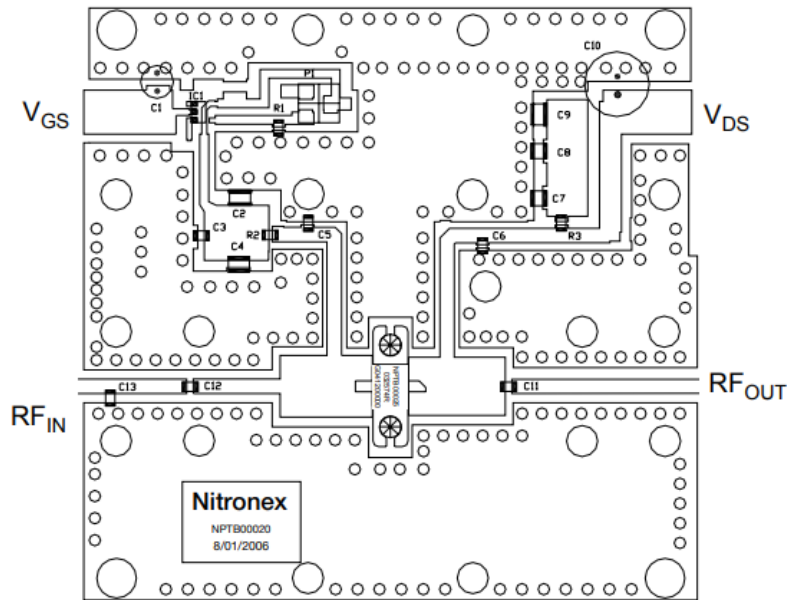


Figure 7 - NPTB00025 3000 MHz Test Fixture and Schematic

GaN Power Transistor, 28 V, 25 W DC - 4 GHz



NPTB00025

Rev. V1

Parts list

Reference	Value	Tolerance	Manufacturer	Part Number
C1	150 μ F	20%	Nichicon	UPW1C151MED
C10	270 μ F	20%	United Chemi-Con	ELXY630ELL271MK25S
C2, C8	0.1 μ F	10%	Kemet	C1206C104K1RACTU
C3, C7	0.01 μ F	10%	AVX	12061C103KAT2A
C4, C9	1 μ F	10%	Panasonic	ECJ-5YB2A105M
C5, C6, C11, C12	5.6 pF	\pm 0.1 pF	ATC	ATC600F5R6B
C13	1.2 pF	\pm 0.1 pF	ATC	ATC600F1R2AT
R2	49.9 Ω	1%	Panasonic	ERJ-6ENF49R9V
R3	0.33 Ω	1%	Panasonic	ERJ-6RQFR33V
PCB	Taconic, RF35, $\epsilon_r=3.5$, t = 30 mils			

Outline Drawing

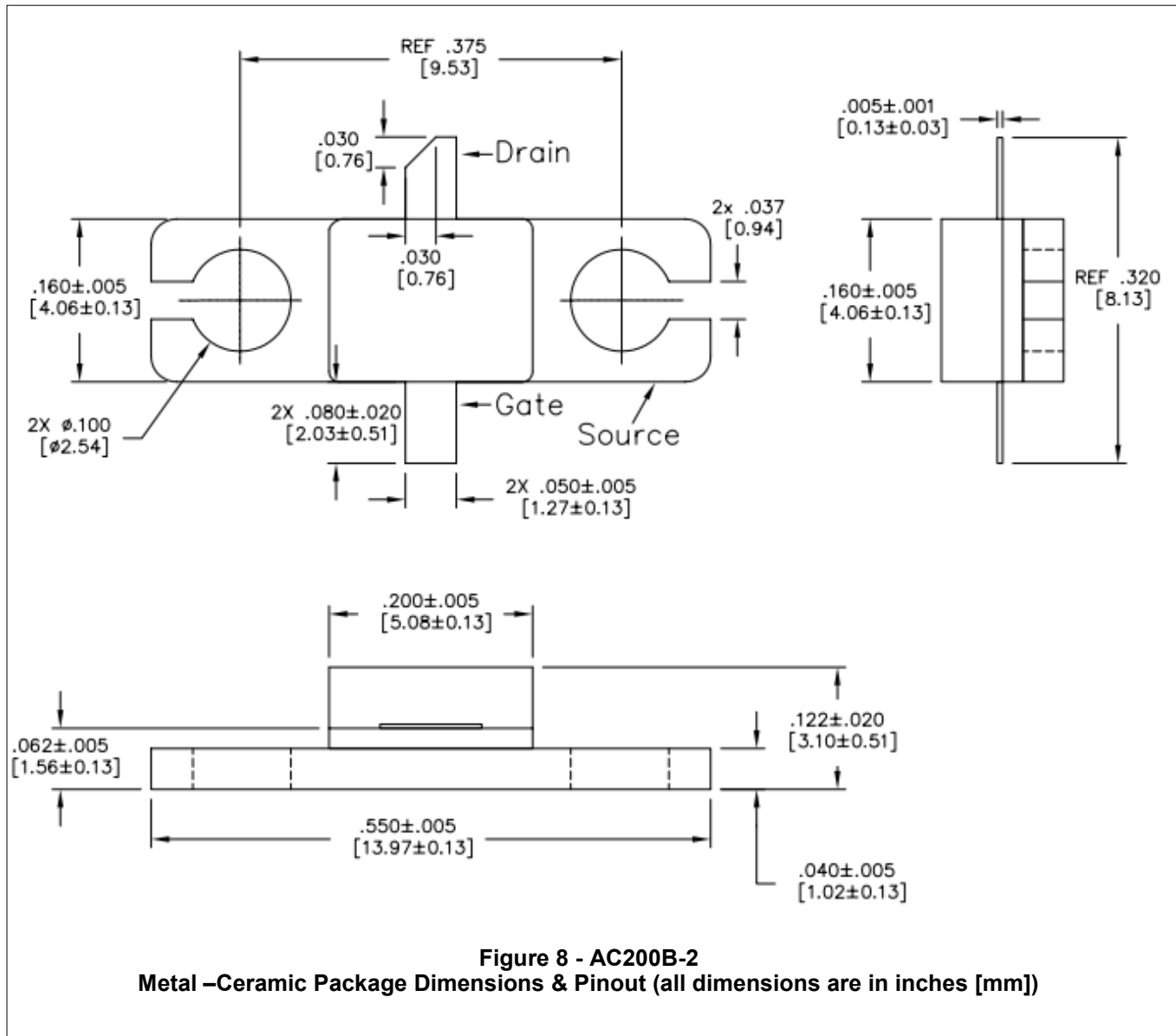


Figure 8 - AC200B-2
Metal -Ceramic Package Dimensions & Pinout (all dimensions are in inches [mm])

MACOM Technology Solutions Inc. ("MACOM"). All rights reserved.

These materials are provided in connection with MACOM's products as a service to its customers and may be used for informational purposes only. Except as provided in its Terms and Conditions of Sale or any separate agreement, MACOM assumes no liability or responsibility whatsoever, including for (i) errors or omissions in these materials; (ii) failure to update these materials; or (iii) conflicts or incompatibilities arising from future changes to specifications and product descriptions, which MACOM may make at any time, without notice. These materials grant no license, express or implied, to any intellectual property rights.

THESE MATERIALS ARE PROVIDED "AS IS" WITH NO WARRANTY OR LIABILITY, EXPRESS OR IMPLIED, RELATING TO SALE AND/OR USE OF MACOM PRODUCTS INCLUDING FITNESS FOR A PARTICULAR PURPOSE, MERCHANTABILITY, INFRINGEMENT OF INTELLECTUAL PROPERTY RIGHT, ACCURACY OR COMPLETENESS, OR SPECIAL, INDIRECT, INCIDENTAL, OR CONSEQUENTIAL DAMAGES WHICH MAY RESULT FROM USE OF THESE MATERIALS.

MACOM products are not intended for use in medical, lifesaving or life sustaining applications. MACOM customers using or selling MACOM products for use in such applications do so at their own risk and agree to fully indemnify MACOM for any damages resulting from such improper use or sale.