

# GaN Power Transistor, 28 V, 45 W DC - 4 GHz



NPT1004D

Rev. V1

## Features

- Optimized for Pulsed, WiMAX, W-CDMA, LTE, & other light thermal load applications from DC - 4 GHz
- 2.5 GHz Performance
- 45 W P3dB CW Power
- 13.5 dB Small Signal Gain
- 55% Efficiency @ P3dB
- 100% RF Tested
- Thermally-Enhanced Surface Mount SOIC Package
- High Reliability Gold Metallization Process
- Subject to EAR99 Export Control
- RoHS\* Compliant

## Applications

- Defense Communications
- Land Mobile Radio
- Avionics
- Wireless Infrastructure
- ISM
- VHF/UHF/L/S-Band Radar

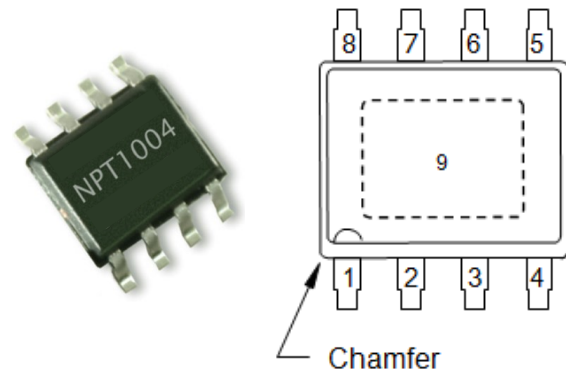
## Description

The NPT1004 GaN HEMT is a power transistor optimized for DC - 4 GHz operation. This device supports CW, pulsed, and linear operation with output power levels to 45 W. This transistor is assembled in an industry standard surface mount plastic package.

## Ordering Information

Part Number	Package
NPT1004DT	Tube (97 pieces)
NPT1004DR	1500 piece reel

## Functional Schematic



## Pin Configuration

Pin #	Function
1 - 4	Gate
5 - 8	Drain
9	Paddle <sup>1</sup>

1. The exposed pad centered on the package bottom must be connected to RF and DC ground. This path must also provide a low thermal resistance heat path.

\* Restrictions on Hazardous Substances, compliant to current RoHS EU directive.

**Typical 2-Tone RF Performance: (measured in test fixture)**

**Freq. = 2.5 GHz,  $V_{DS}$  = 28 V,  $I_{DQ}$  = 400 mA, Tone Spacing = 1 MHz,  $T_C$  = 25°C**

Parameter	Test Conditions	Symbol	Min.	Typ.	Max.	Units
Peak Envelope Power	3 dB Compression	$P_{3dB, PEP}$	35	45	—	W
	1 dB Compression	$P_{1dB, PEP}$	—	28	—	
Small Signal Gain	—	$G_{SS}$	12.5	13.5	—	dB
Drain Efficiency	3 dB Compression	$\eta$	50	55	—	%

**Typical OFDM Performance: (measured in load pull system (refer to Table 2 and Fig. 1))**

**$V_{DS}$  = 28 V,  $I_{DQ}$  = 350 mA, Single Carrier OFDM waveform 64-QAM 3/4, 8 burst, continuous frame data, 10 MHz channel bandwidth, Peak/Avg = 10.3 dB @ 0.01% probability on CCDF,  $P_{OUT}$  = 1.5 W avg.,  $T_C$  = 25°C**

Parameter	Test Conditions	Symbol	Min.	Typ.	Max.	Units
Power Gain	2.5 - 2.7 GHz	$G_P$	—	13.0	—	dB
	3.3 - 3.5 GHz			10.5		
Drain Efficiency	2.5 - 2.7 GHz	$\eta$	—	27	—	%
	3.3 - 3.5 GHz			25		
Error Vector Magnitude	2.5 - 2.7 GHz	EVM	—	2	—	%
	3.3 - 3.5 GHz			2		

### Handling Procedures

Please observe the following precautions to avoid damage:

### Static Sensitivity

Gallium Nitride Circuits are sensitive to electrostatic discharge (ESD) and can be damaged by static electricity. Proper ESD control techniques should be used when handling these HBM Class 1B devices.

**DC Electrical Characteristics:  $T_C = 25^\circ\text{C}$**

Parameter	Test Conditions	Symbol	Min.	Typ.	Max.	Units
<b>Off Characteristics</b>						
Drain-Source Breakdown Voltage	$V_{GS} = -8\text{ V}, I_D = 16\text{ mA}$	$V_{BDS}$	100	—	—	V
Drain-Source Leakage Current	$V_{GS} = -8\text{ V}, V_{DS} = 60\text{ V}$	$I_{DLK}$	—	2	10	mA
<b>On Characteristics</b>						
Gate Threshold Voltage	$V_{DS} = 28\text{ V}, I_D = 16\text{ mA}$	$V_T$	-2.3	-1.8	-1.3	V
Gate Quiescent Voltage	$V_{DS} = 28\text{ V}, I_D = 350\text{ mA}$	$V_{GSQ}$	-2.0	-1.5	-1.0	V
On Resistance	$V_{GS} = 2\text{ V}, I_D = 120\text{ mA}$	$R_{ON}$	—	0.25	0.30	$\Omega$
Drain Current	$V_{DS} = 7\text{ V}$ pulsed, pulse width 300 ms 0.2% Duty Cycle, $V_{GS} = 2\text{ V}$	$I_D$	7.5	9.5	—	A

**Absolute Maximum Ratings<sup>2,3,4</sup>**

Parameter	Absolute Maximum
Drain Source Voltage, $V_{DS}$	100 V
Gate Source Voltage, $V_{GS}$	-10 to 3 V
Total Device Power Dissipation (derated above 25°C)	40 W
Junction Temperature, $T_J$	+200°C
Operating Temperature	-40°C to +85°C
Storage Temperature	-65°C to +150°C

- Exceeding any one or combination of these limits may cause permanent damage to this device.
- MACOM does not recommend sustained operation near these survivability limits.
- Operating at nominal conditions with  $T_J \leq 200^\circ\text{C}$  will ensure  $MTTF > 1 \times 10^6$  hours.

**Thermal Characteristics<sup>5</sup>**

Parameter	Test Conditions	Symbol	Typical	Units
Thermal Resistance	$V_{DS} = 28\text{ V}, T_J = 200^\circ\text{C}$	$R_{\theta JC}$	4.3	$^\circ\text{C/W}$

- Junction temperature ( $T_J$ ) measured using IR Microscopy. Case temperature measured using thermocouple embedded in heat-sink.

**Table 1: Optimum Impedance Characteristics for CW Gain, Drain Efficiency, and Output Power Performance**

Frequency (MHz)	Z <sub>S</sub> (Ω)	Z <sub>L</sub> (Ω)	P <sub>SAT</sub> (W)	G <sub>SS</sub> (dB)	Drain Efficiency (%)
900	2.0 + j2.7	6.0 + j3.3	45	22.5	72
1500	1.6 - j0.8	4.5 + j0.5	45	18.5	70
2500	2.0 - j3.2	3.5 - j5.0	45	14.0	65
3500	3.2 - j6.5	2.9 - j8.0	35	12.0	60

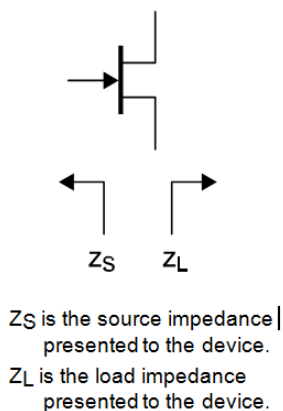
**Table 2: Optimum Impedance Characteristics for WiMAX Gain, Drain Efficiency, Output Power, and Linearity Performance. Single Carrier OFDM waveform 64-QAM 3/4, 8 burst, Peak/Avg = 10.3 dB @ 0.01% probability on CCDF, 2% EVM.**

Frequency (MHz)	Z <sub>S</sub> (Ω)	Z <sub>L</sub> (Ω)	P <sub>SAT</sub> (W)	G <sub>SS</sub> (dB)	Drain Efficiency (%)
2500 <sup>6</sup>	2.1 - j7.6	3.1 - j3.9	5.0	14.0	27
2600 <sup>6</sup>	2.3 - j7.7	3.3 - j4.4	5.0	13.0	27
2700 <sup>6</sup>	2.3 - j9.0	3.4 - j4.7	5.0	13.0	27
3300 <sup>7</sup>	3.3 - j11.8	3.7 - j7.2	6.3	11.5	30
3500 <sup>7</sup>	3.5 - j13.5	3.5 - j10.0	4.5	10.5	25
3800 <sup>7</sup>	4.5 - j16.2	3.7 - j11.2	3.2	8.0	17

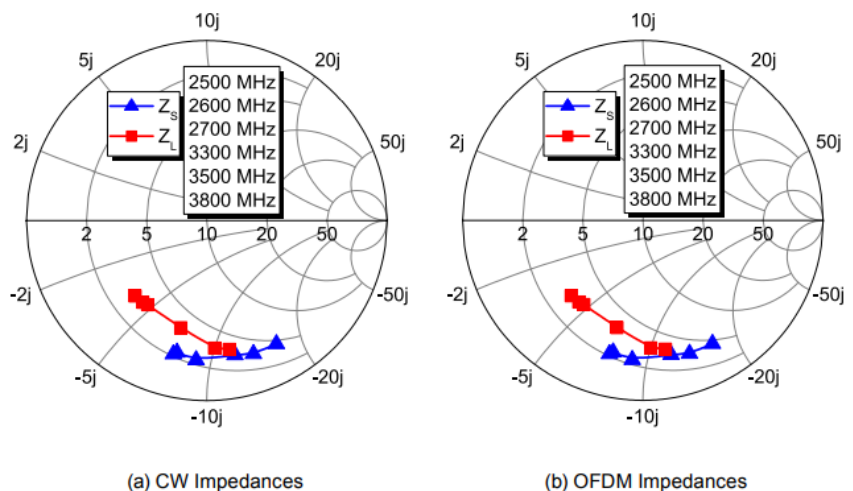
6. Continuous frame data, 10 MHz channel bandwidth.

7. 20 ms frame, 15 ms frame data, 3.5 MHz channel bandwidth.

**Impedance Reference**

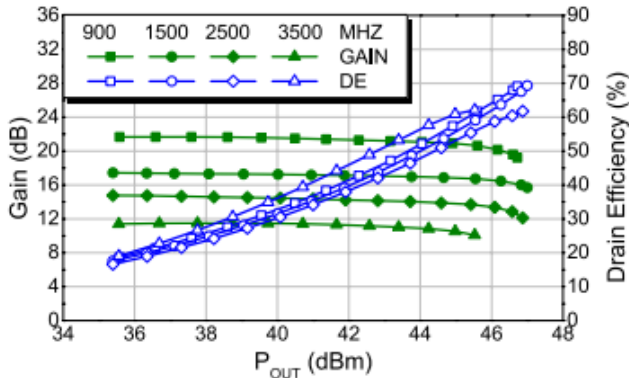


**Z<sub>S</sub> and Z<sub>L</sub> vs. Frequency**

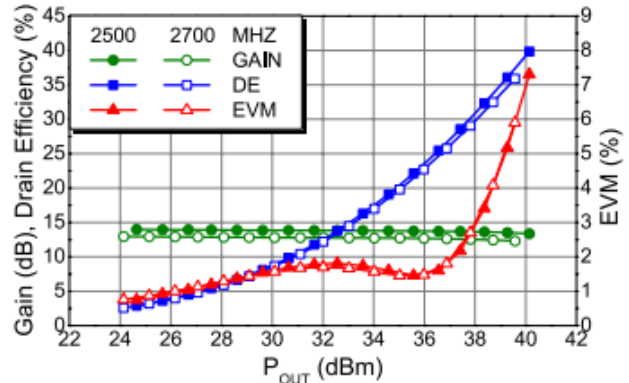


**Figure 1 - Optimum Impedance Characteristics for CW and OFDM Performance**

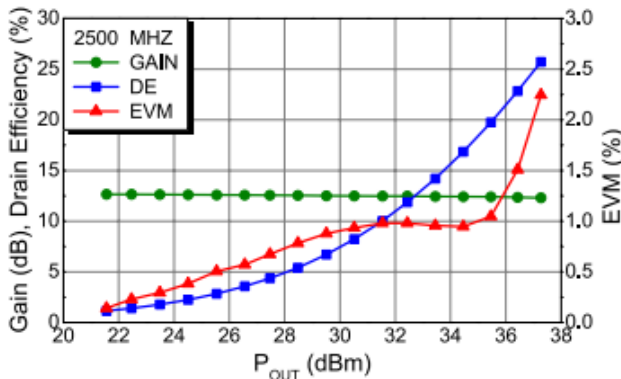
**Load-Pull Data, Reference Plane at Device Leads:**  
 $V_{DS} = 28\text{ V}$ ,  $I_{DQ} = 350\text{ mA}$  (unless noted)



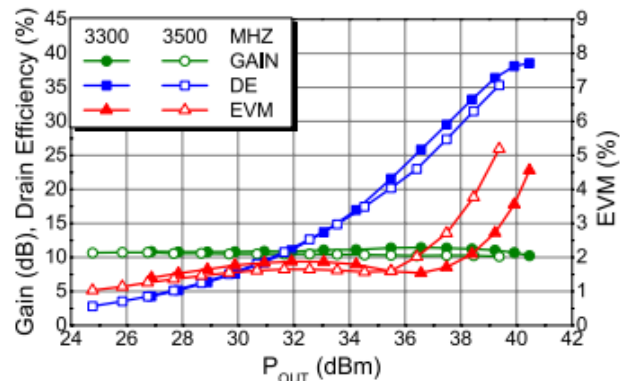
**Figure 2 - Typical CW Performance,**  
Frequency = 900 to 3500MHz,  $I_{DQ}=400\text{mA}$



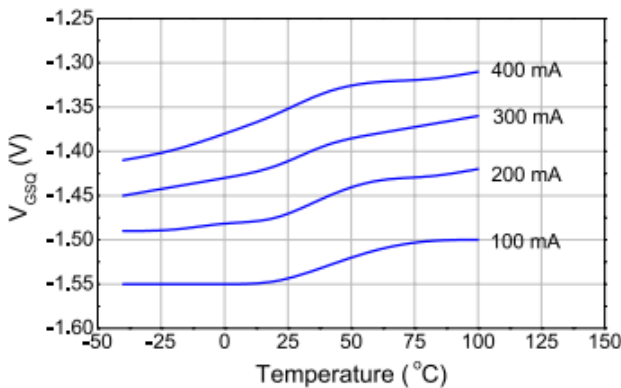
**Figure 3 - OFDM Performance Tuned for**  
 $P_{OUT}$  at 2% EVM in Load-Pull System



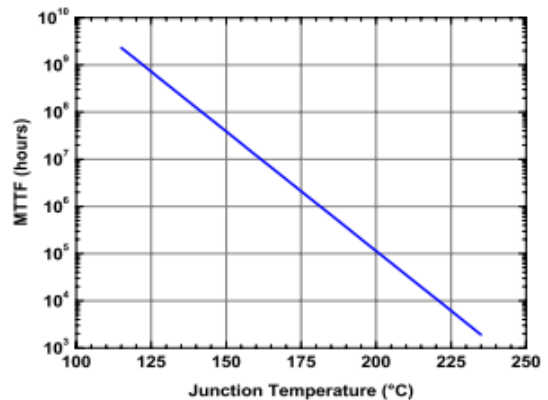
**Figure 4 - OFDM Performance Tuned for**  
 $P_{OUT}$  at 1.5% EVM in Load-Pull System



**Figure 5 - OFDM Performance Tuned for**  
 $P_{OUT}$  at 2% EVM in Load-Pull System

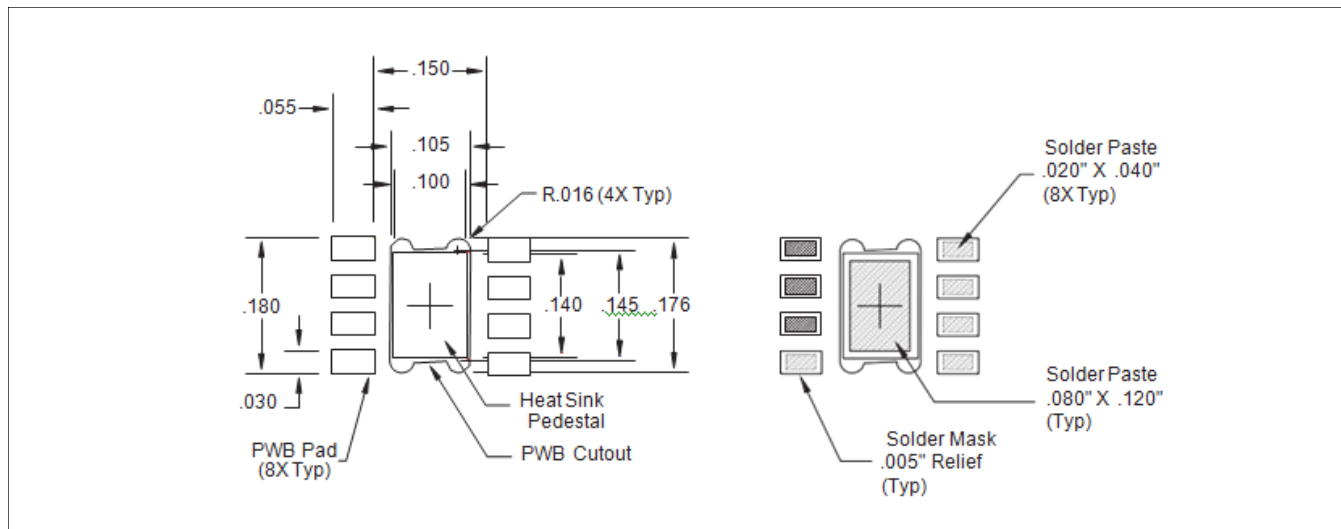


**Figure 6 - Quiescent Gate Voltage ( $V_{GSQ}$ ) Required**  
to Reach  $I_{DQ}$  as a Function of Case Temperature

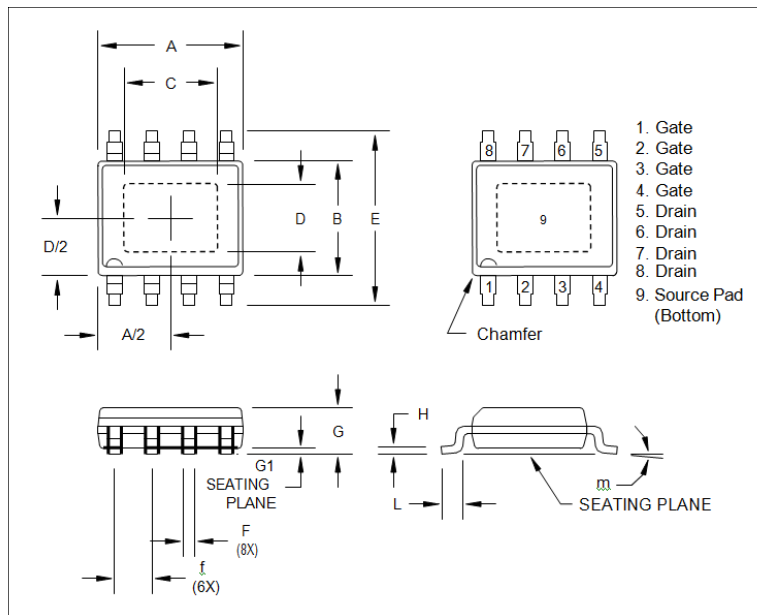


**Figure 7 - MTTF of NRF1 devices as a**  
function of junction temperature

**Mounting Footprint**



**Package Dimensions & Pin Out<sup>†</sup>**



Dim.	Inches		Millimeters	
	Min.	Max.	Min.	Max.
A	0.189	0.196	4.80	4.98
B	0.150	0.157	3.81	3.99
C	0.107	0.123	2.72	3.12
D	0.071	0.870	1.870	2.21
E	0.230	0.244	5.85	6.19
f	0.050 BSC		1.270 BSC	
F	0.0138	0.0192	0.35	0.49
G	0.055	0.061	1.40	1.55
G1	0.000	0.004	0.00	0.10
H	0.075	0.098	1.91	2.50
L	0.016	0.035	0.41	0.89
m	0°	8°	0°	8°

<sup>†</sup> Meets JEDEC moisture sensitivity level 3 requirements.  
Plating is Matte Sn.

MACOM Technology Solutions Inc. ("MACOM"). All rights reserved.

These materials are provided in connection with MACOM's products as a service to its customers and may be used for informational purposes only. Except as provided in its Terms and Conditions of Sale or any separate agreement, MACOM assumes no liability or responsibility whatsoever, including for (i) errors or omissions in these materials; (ii) failure to update these materials; or (iii) conflicts or incompatibilities arising from future changes to specifications and product descriptions, which MACOM may make at any time, without notice. These materials grant no license, express or implied, to any intellectual property rights.

THESE MATERIALS ARE PROVIDED "AS IS" WITH NO WARRANTY OR LIABILITY, EXPRESS OR IMPLIED, RELATING TO SALE AND/OR USE OF MACOM PRODUCTS INCLUDING FITNESS FOR A PARTICULAR PURPOSE, MERCHANTABILITY, INFRINGEMENT OF INTELLECTUAL PROPERTY RIGHT, ACCURACY OR COMPLETENESS, OR SPECIAL, INDIRECT, INCIDENTAL, OR CONSEQUENTIAL DAMAGES WHICH MAY RESULT FROM USE OF THESE MATERIALS.

MACOM products are not intended for use in medical, lifesaving or life sustaining applications. MACOM customers using or selling MACOM products for use in such applications do so at their own risk and agree to fully indemnify MACOM for any damages resulting from such improper use or sale.