

# MSS60-xxx-x Series



## Extra High Barrier Silicon Schottky Diodes

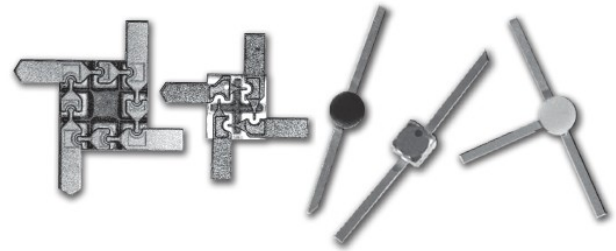
Rev. V1

### Features

- $V_F$ ,  $R_D$  and  $C_J$  Matching Options
- Chip, Beam Lead and Packaged Devices
- Hi-Rel Screening per MIL-PRF-19500 and MIL-PRF-38534 Available

### Description

The MSS60-xxx-x Series of Schottky diodes are fabricated on N-Type epitaxial substrates using proprietary processes that yield the highest FCOs in the industry. Optimum mixer performance is obtained with LO power of 6 dBm to 12 dBm per diode.



### Beam Lead

#### Electrical Specifications: $T_A = 25^\circ\text{C}$

Model	Configuration	$V_F$ Typ. V	$V_{BR}$ Min. V	$C_J$ Typ. / Max. pF	$R_S$ Typ. $\Omega$	$R_D$ Max. $\Omega$	Outline
MSS60-144-B10B	Single Junction	625	3.5	0.08 / 0.10	20	25	B10B
MSS60-148-B10B	Single Junction	625	3.5	0.12 / 0.15	13	18	B10B
MSS60-153-B10B	Single Junction	625	3.5	0.20 / 0.25	7	12	B10B
MSS60-244-B20	Series Tee	625	3.5	0.08 / 0.10	20	25	B20
MSS60-248-B20	Series Tee	625	3.5	0.12 / 0.15	13	18	B20
MSS60-253-B20	Series Tee	625	3.5	0.20 / 0.25	7	12	B20
MSS60-444-B42	Ring Quad	650	3.5	0.08 / 0.10	20	25	B42
MSS60-448-B42	Ring Quad	650	3.5	0.12 / 0.15	13	18	B42
MSS60-453-B42	Ring Quad	650	3.5	0.25 / 0.30	7	12	B42
MSS60-841-B80	Ring Quad	1200	6.0	0.06 / 0.08	23	28	B80
MSS60-846-B80	Ring Quad	1200	6.0	0.10 / 0.12	17	23	B80
MSS60-848-B80	Ring Quad	1200	6.0	0.12 / 0.15	13	18	B80
Test Conditions		$I_F = 1 \text{ mA}$	$I_R = 10 \mu\text{A}$	$V_R = 0 \text{ V}$ $F = 1 \text{ MHz}$	$I = 5 \text{ mA}$		

(Continued next page)

### Packaged

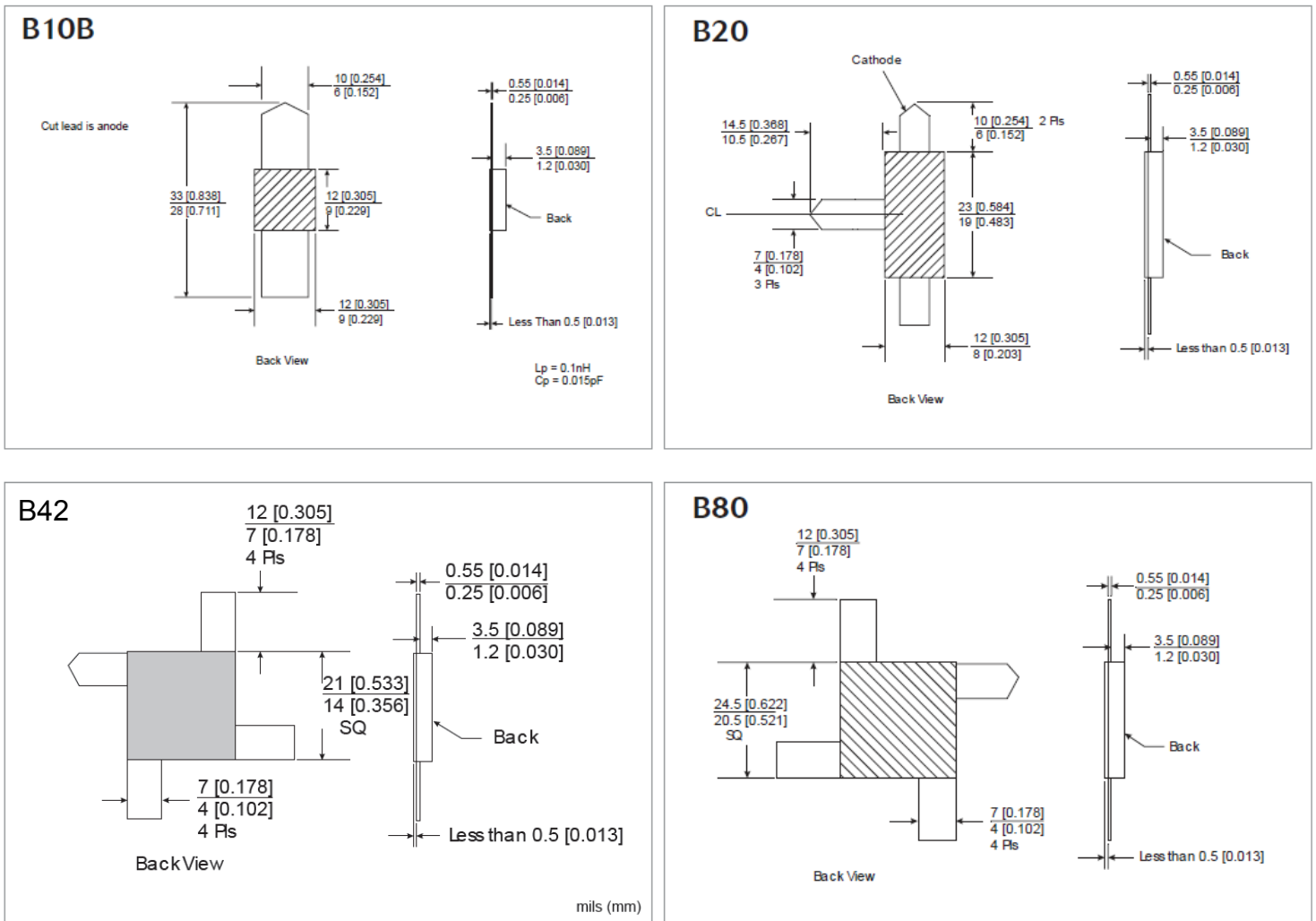
### Electrical Specifications: $T_A = 25^\circ\text{C}$

Model	Configuration	$V_F$ Typ. V	$V_{BR}$ Min. V	$C_J$ Typ. / Max. pF	$R_S$ Typ. $\Omega$	$R_D$ Max. $\Omega$	Outline
MSS60-144-E25	Single Junction	625	3.5	0.21 / 0.27	20	25	E25
MSS60-144-H20	Single Junction	625	3.5	0.24 / 0.30	20	25	H20
MSS60-148-E25	Single Junction	625	3.5	0.24 / 0.30	13	18	E25
MSS60-148-H20	Single Junction	625	3.5	0.27 / 0.33	13	18	H20
MSS60-153-E25	Single Junction	625	3.5	0.16 / 0.22	7	12	E25
MSS60-153-H20	Single Junction	625	3.5	0.24 / 0.30	7	12	H20
MSS60-244-E35	Series Tee	625	3.5	0.22 / 0.28	20	25	E35
MSS60-244-H30	Series Tee	625	3.5	0.30 / 0.36	20	25	H30
MSS60-248-E35	Series Tee	625	3.5	0.35 / 0.41	13	18	E35
MSS60-248-H30	Series Tee	625	3.5	0.43 / 0.50	13	18	H30
MSS60-253-E35	Ring Quad	625	3.5	0.22 / 0.28	7	12	E35
MSS60-253-H30	Ring Quad	625	3.5	0.35 / 0.41	7	12	H30
MSS60-444-E45	Ring Quad	650	3.5	0.24 / 0.30	20	25	E45
MSS60-448-E45	Ring Quad	650	3.5	0.32 / 0.38	13	18	E45
MSS60-448-H40	Ring Quad	650	3.5	0.42 / 0.48	13	18	E45
MSS60-453-E45	Ring Quad	650	3.5	0.26 / 0.30	7	12	E45
MSS60-453-H40	Ring Quad	650	3.5	0.32 / 0.38	7	12	H40
MSS60-841-E45	Ring Quad	1200	6.0	0.30 / 0.35	23	28	E45
MSS60-841-H40	Ring Quad	1200	6.0	0.40 / 0.45	23	28	H40
MSS60-846-E45	Ring Quad	1200	6.0	0.32 / 0.38	18	23	E45
MSS60-846-H40	Ring Quad	1200	6.0	0.42 / 0.48	18	23	H40
MSS60-848-E45	Ring Quad	1200	6.0	0.35 / 0.41	13	18	E45
MSS60-848-H40	Ring Quad	1200	6.0	0.44 / 0.51	13	18	H40
Test Conditions		$I_F = 1 \text{ mA}$	$I_R = 10 \text{ } \mu\text{A}$	$V_R = 0 \text{ V}$ $F = 1 \text{ MHz}$	$I = 5 \text{ mA}$		

### Absolute Maximum Ratings

Parameters	Rating
Reverse Voltage	Rated $V_{BR}$
Forward Current	50 mA
Power Dissipation	100 mW, per junction @ $T_A = 25^\circ\text{C}$ , derate linearly to 0 @ $T_A = +150^\circ\text{C}$
Operating Temperature	$-65^\circ\text{C}$ to $+150^\circ\text{C}$
Storage Temperature	$-65^\circ\text{C}$ to $+150^\circ\text{C}$
Soldering Temperature (packaged)	$+230^\circ\text{C}$ for 5 seconds
Beam Lead Pull Strength	4 G minimum

### Outline Drawings (



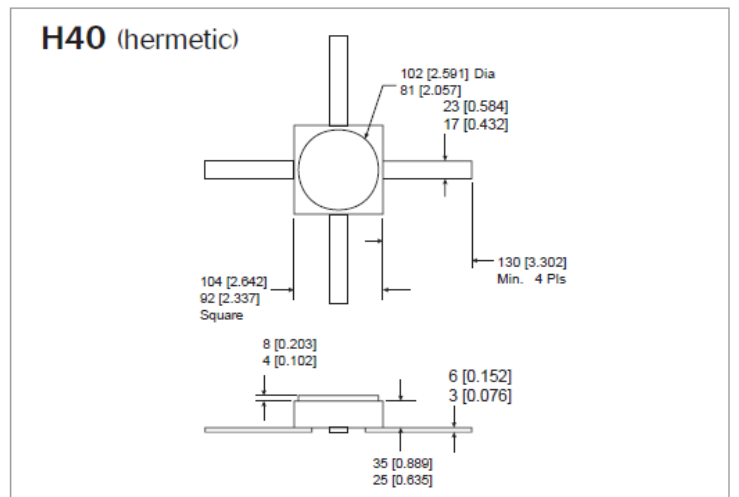
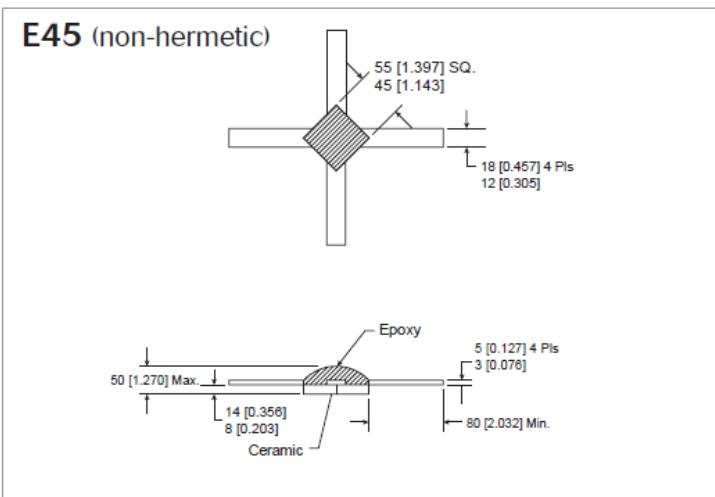
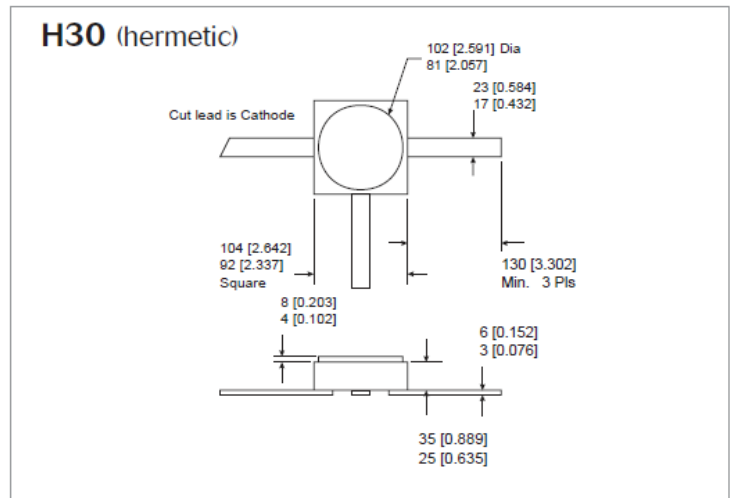
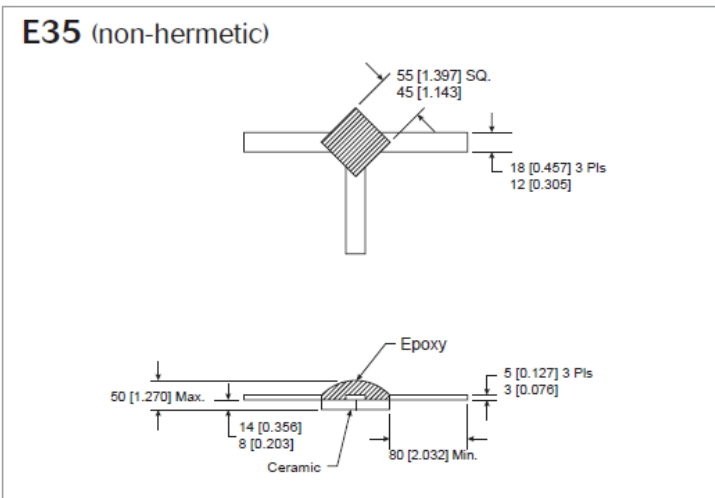
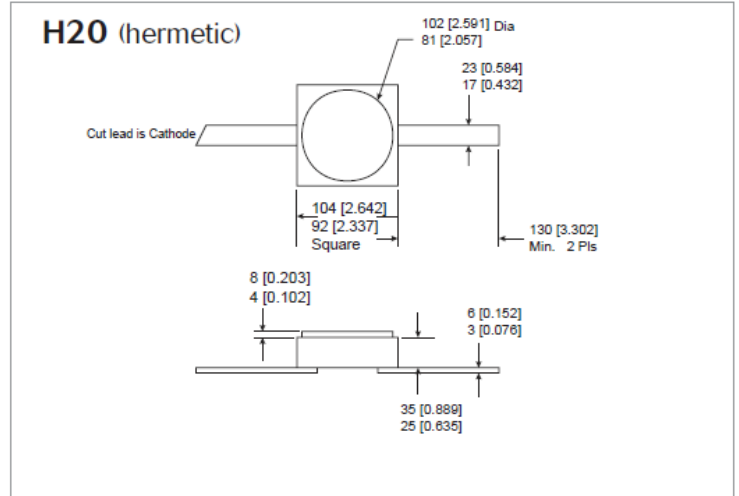
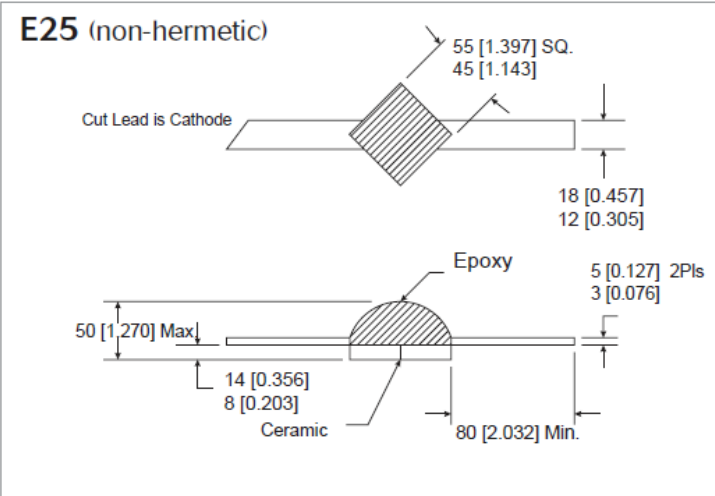
# MSS60-xxx-x Series



## Extra High Barrier Silicon Schottky Diodes

Rev. V1

### Outline Drawings



MACOM Technology Solutions Inc. All rights reserved.

Information in this document is provided in connection with MACOM Technology Solutions Inc ("MACOM") products. These materials are provided by MACOM as a service to its customers and may be used for informational purposes only. Except as provided in MACOM's Terms and Conditions of Sale for such products or in any separate agreement related to this document, MACOM assumes no liability whatsoever. MACOM assumes no responsibility for errors or omissions in these materials. MACOM may make changes to specifications and product descriptions at any time, without notice. MACOM makes no commitment to update the information and shall have no responsibility whatsoever for conflicts or incompatibilities arising from future changes to its specifications and product descriptions. No license, express or implied, by estoppel or otherwise, to any intellectual property rights is granted by this document.

THESE MATERIALS ARE PROVIDED "AS IS" WITHOUT WARRANTY OF ANY KIND, EITHER EXPRESS OR IMPLIED, RELATING TO SALE AND/OR USE OF MACOM PRODUCTS INCLUDING LIABILITY OR WARRANTIES RELATING TO FITNESS FOR A PARTICULAR PURPOSE, CONSEQUENTIAL OR INCIDENTAL DAMAGES, MERCHANTABILITY, OR INFRINGEMENT OF ANY PATENT, COPYRIGHT OR OTHER INTELLECTUAL PROPERTY RIGHT. MACOM FURTHER DOES NOT WARRANT THE ACCURACY OR COMPLETENESS OF THE INFORMATION, TEXT, GRAPHICS OR OTHER ITEMS CONTAINED WITHIN THESE MATERIALS. MACOM SHALL NOT BE LIABLE FOR ANY SPECIAL, INDIRECT, INCIDENTAL, OR CONSEQUENTIAL DAMAGES, INCLUDING WITHOUT LIMITATION, LOST REVENUES OR LOST PROFITS, WHICH MAY RESULT FROM THE USE OF THESE MATERIALS.

MACOM products are not intended for use in medical, lifesaving or life sustaining applications. MACOM customers using or selling MACOM products for use in such applications do so at their own risk and agree to fully indemnify MACOM for any damages resulting from such improper use or sale.