

# MSPD101x-xxx Series



## Sampling Phase Detectors 10 MHz - 20 GHz

Rev. V1

### Features

- Surface Mount Package:  
3.3 mm (L) x 2.8 mm (W) x 1.5 mm (H)
- RoHS\* Compliant

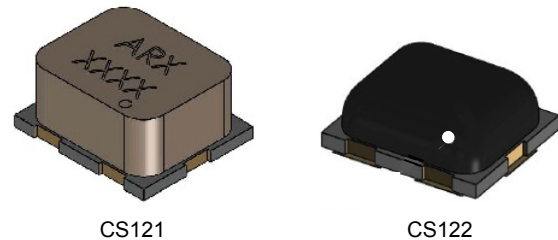
### Applications

- Phase Lock Loops
- High Frequency Sampling

### Description

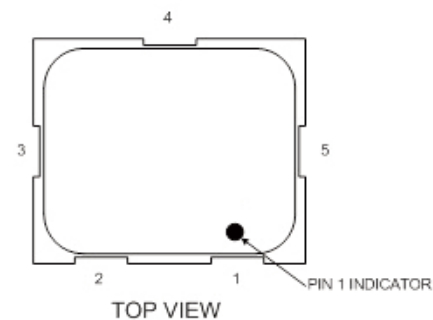
The products of the MSPD101x-x series are fully-contained sampling phase detectors, each comprising a beam lead silicon step recovery diode, beam lead DC blocking capacitors and a beam lead series-tee pair of low-barrier silicon Schottky diodes mounted on a ceramic substrate. The semiconductors and chip capacitors are protected with an epoxy encapsulation on the top side of the ceramic substrate. These products are manufactured using a proven diode fabrication and assembly processes which optimize diode characteristics for optimal electrical performance and excellent reliability.

These low profile, compact surface mount components offer RF and microwave signal performance superior to comparable chip-and-wire discrete devices in leaded packages. These rugged devices are capable of reliable operation in all military, commercial and industrial applications.



CS121

CS122



### Pin Configuration

Pin #	Description
1	Cathode terminal of step recovery diode
2	Anode terminal of step recovery diode
3	Cathode connection of Schottky diode series tee
4	Center node of Schottky diode series tee
5	Anode connection of Schottky diode series tee

### Ordering Information

Part #	Description	Packaging
MSPD1011-xxx <sup>1</sup> -T	Low Barrier	Tube
MSPD1012-xxx <sup>1</sup> -T	Medium Barrier	
MSPD1013-xxx <sup>1</sup> -T	High Barrier	
MSPD1011-xxx <sup>1</sup> -R	Low Barrier	250 or 500 piece reel
MSPD1012-xxx <sup>1</sup> -R	Medium Barrier	
MSPD1013-xxx <sup>1</sup> -R	High Barrier	
MSPD1011-xxx <sup>1</sup> -W	Low Barrier	Waffle Pack
MSPD1012-xxx <sup>1</sup> -W	Medium Barrier	
MSPD1013-xxx <sup>1</sup> -W	High Barrier	

1. Insert 121 for ceramic or 122 for epoxy.

<sup>1</sup> \* Restrictions on Hazardous Substances, European Union Directive 2011/65/EU.

MACOM Technology Solutions Inc. (MACOM) and its affiliates reserve the right to make changes to the product(s) or information contained herein without notice. Visit [www.macom.com](http://www.macom.com) for additional data sheets and product information.

**Electrical Specifications:  $T_A = +25^\circ\text{C}$**

Parameter	Conditions	MSPD1011			MSPD1012			MSPD1013			Units
		Min.	Typ.	Max.	Min.	Typ.	Max.	Min.	Typ.	Max.	
Microwave Signal Level	—		-3 to 0			0 to 3			0 to 13		dBm
Schottky Diode											
Barrier Height		Low			Medium			High			
Forward Voltage	$I_F = 1 \text{ mA}$	270	—	350	370	—	550	600	—	700	mV
Junction Capacitance	$V_R = 0 \text{ V}, 1 \text{ MHz}$	—	—	0.1	—	—	0.1	—	—	0.1	pF
Total Resistance	$I_F = 5 \text{ mA}$	—	—	24	—	—	24	—	—	24	$\Omega$
Step Recovery Diode											
Breakdown Voltage	$I_R = 10 \mu\text{A}$	—	20	30	—	20	30	—	20	30	V
Carrier Lifetime	$I_F = 10 \text{ mA}, I_R = 6 \text{ mA}$	—	10	—	—	10	—	—	10	—	ns
Transition Time	$I_F = 10 \text{ mA}, V_R = 10\text{V}$	—	70	—	—	70	—	—	70	—	ps
Junction Capacitance	$V_R = 0 \text{ V}, 1 \text{ MHz}$	—	—	0.25	—	—	0.25	—	—	0.25	pF
DC Block Capacitance											
Capacitance	1 MHz	—	0.5	1.0	—	0.5	1.0	—	0.5	1.0	pF

**Absolute Maximum Ratings @  $T_A = 25^\circ\text{C}$  (Unless otherwise noted)**

Parameter	Conditions	Absolute Maximum
RF Incident Power	Applied to step recovery diode (pin 1 to pin2) Applied to microwave input (pin 4)	27 dBm 20 dBm
Total Dissipated Power	Infinite heat sink, $T_C = 25^\circ\text{C}$ . Derate power linearly from 100 mW @ $85^\circ\text{C}$ to 0 W @ $125^\circ\text{C}$	100 mW
Junction Temperature	—	$150^\circ\text{C}$
Operating Temperature	—	$-55^\circ\text{C}$ to $+125^\circ\text{C}$
Storage Temperature	—	$-65^\circ\text{C}$ to $+150^\circ\text{C}$

## Handling Procedures

Please observe the following precautions to avoid damage:

## Static Sensitivity

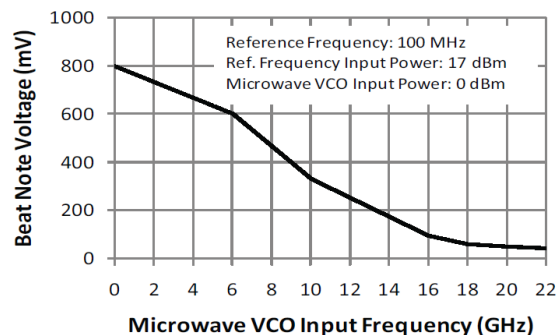
These electronic devices are sensitive to electrostatic discharge (ESD) and can be damaged by static electricity. Proper ESD control techniques should be used when handling these devices. The moisture sensitivity level (MSL) rating is 1.

## Environmental Capabilities

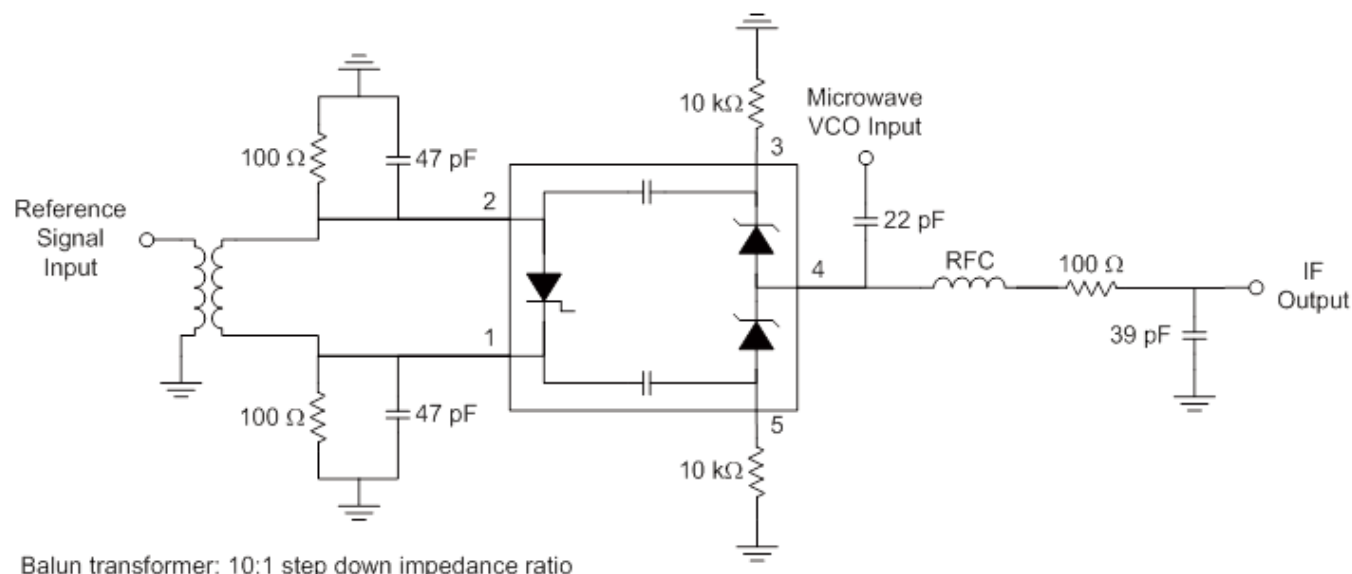
The MSPD101x-121 sampling phase detectors are capable of meeting the environmental requirements of MIL-STD-750 and MIL-STD-883.

## Typical Performance:

$T_A = +25^\circ\text{C}$ ,  $Z_0 = 50 \Omega$



## Recommended Circuit



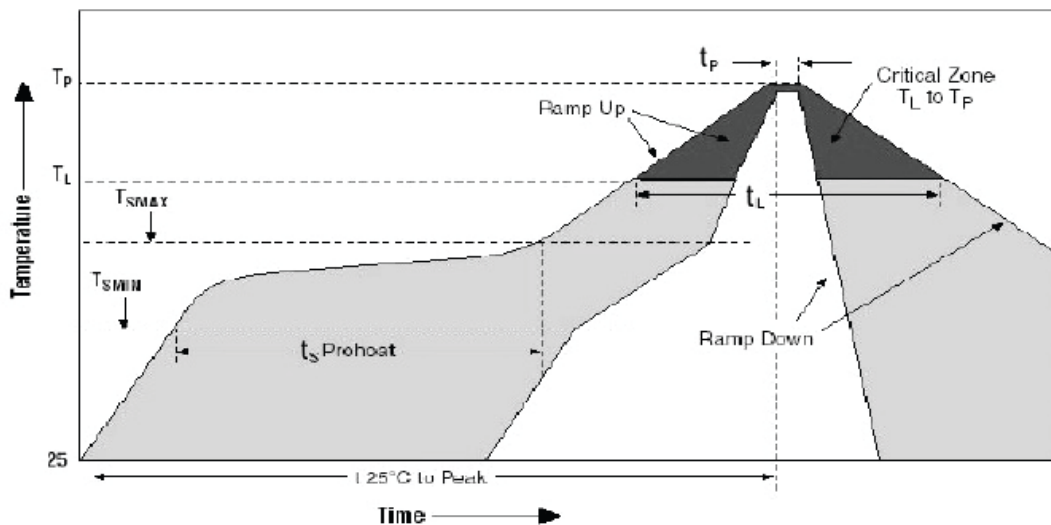
## Assembly Instructions

The MSPD101x family of sampling phase detectors may be soldered to a printed circuit using conventional solder reflow or wave soldering procedures with RoHS type or Sn60/Pb40 type solders per the recommended time temperature profile described in Table I and Figure I.

Table 1. Time-Temperature Profile for Sn60/Pb40 or RoHS Type Solders

Profile Feature	SnPb Solder Assembly	Pb-Free Solder Assembly
Average Ramp-Up Rate ( $T_L$ to $T_P$ )	3°C /second maximum	3°C /second maximum
Preheat:		
- Temperature Min ( $T_{SMIN}$ )	100°C	150°C
- Temperature Max ( $T_{SMAX}$ )	150°C	200°C
- Time (min to max)( $t_S$ )	60-120 s	60-180 s
$T_{SMAX}$ to $T_L$		
- Ramp-Up Rate		3°C/s maximum
Time Maintained Above:		
- Temperature ( $T_L$ )	183°C	217°C
- Time ( $t_L$ )	60-150 s	60-150 s
Peak temperature ( $T_P$ )	225 +0/-5°C	260 +0/-5°C
Time Within 5°C of Actual Peak Temperature ( $t_P$ )	10 – 30 s	20 – 40 s
Ramp-Down Rate	6°C /s maximum	6°C /s maximum
Time 25°C to Peak Temperature	6 minutes maximum	8 minutes maximum

Figure 1. Solder Re-Flow Time-Temperature Profile



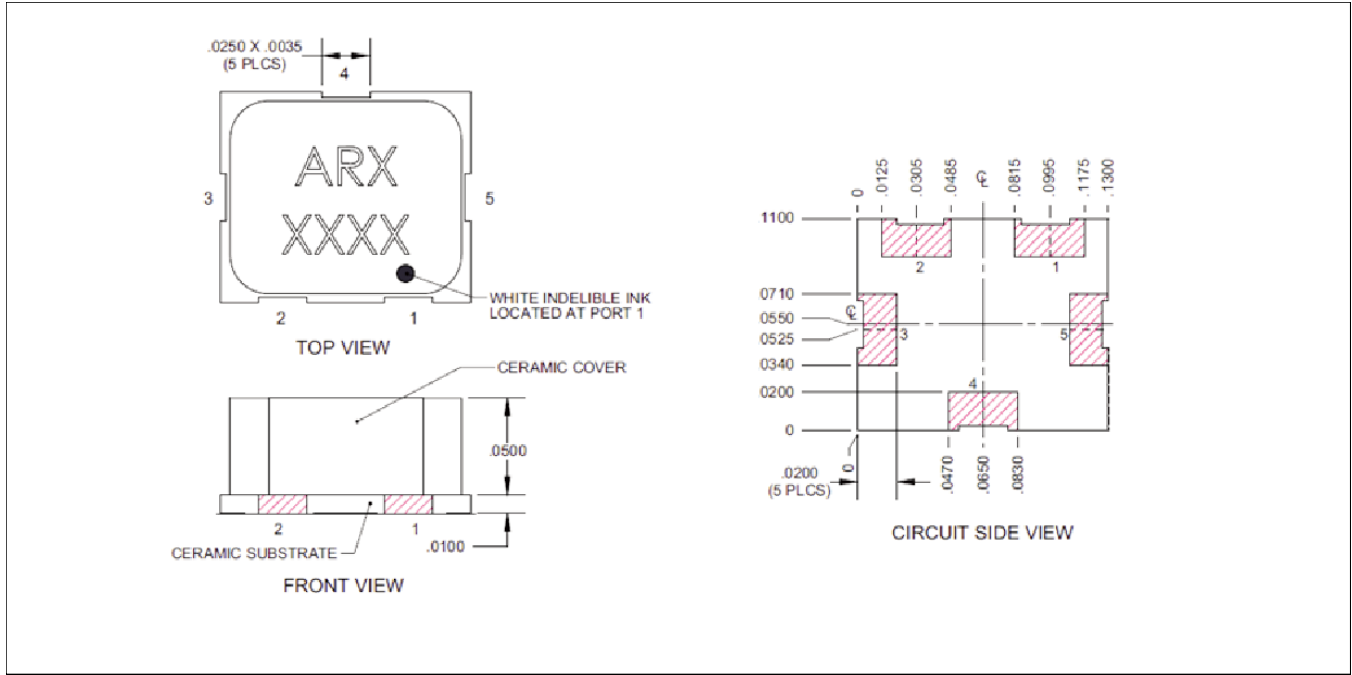
# MSPD101x-xxx Series



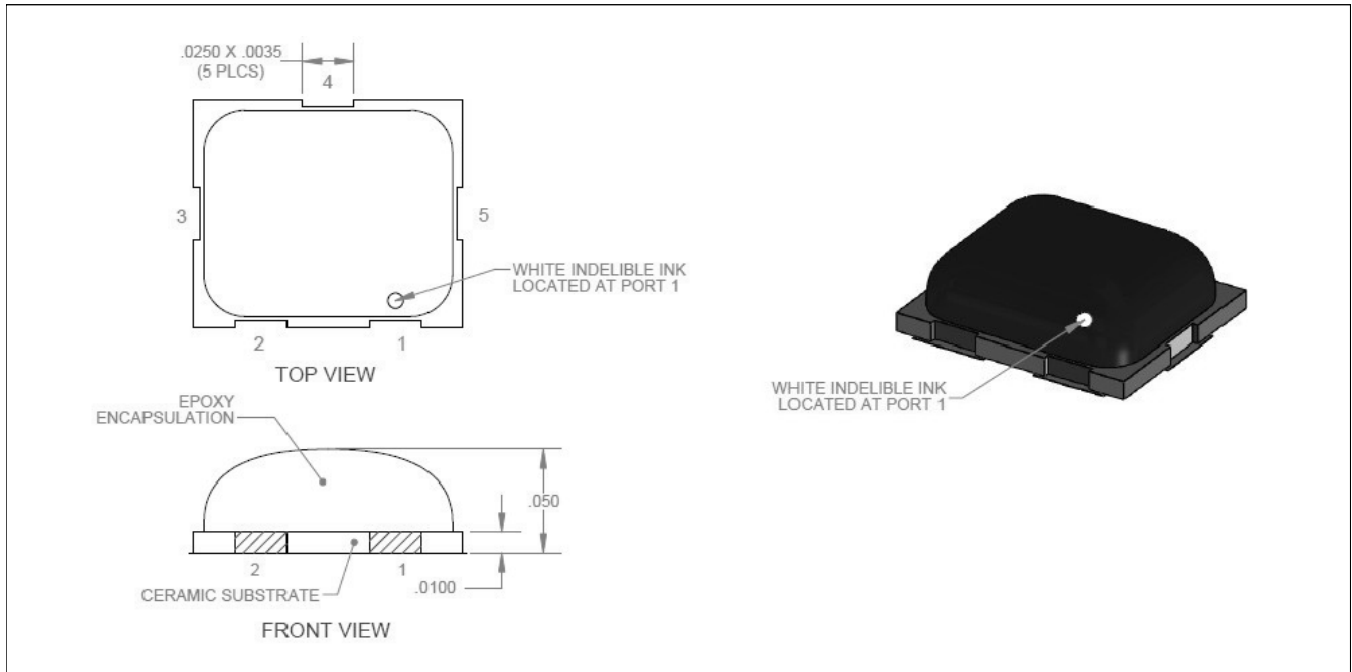
Sampling Phase Detectors  
10 MHz - 20 GHz

Rev. V1

## Outline Drawing (CS121)



## Outline Drawing (CS122)



MACOM Technology Solutions Inc. All rights reserved.

Information in this document is provided in connection with MACOM Technology Solutions Inc ("MACOM") products. These materials are provided by MACOM as a service to its customers and may be used for informational purposes only. Except as provided in MACOM's Terms and Conditions of Sale for such products or in any separate agreement related to this document, MACOM assumes no liability whatsoever. MACOM assumes no responsibility for errors or omissions in these materials. MACOM may make changes to specifications and product descriptions at any time, without notice. MACOM makes no commitment to update the information and shall have no responsibility whatsoever for conflicts or incompatibilities arising from future changes to its specifications and product descriptions. No license, express or implied, by estoppel or otherwise, to any intellectual property rights is granted by this document.

THESE MATERIALS ARE PROVIDED "AS IS" WITHOUT WARRANTY OF ANY KIND, EITHER EXPRESS OR IMPLIED, RELATING TO SALE AND/OR USE OF MACOM PRODUCTS INCLUDING LIABILITY OR WARRANTIES RELATING TO FITNESS FOR A PARTICULAR PURPOSE, CONSEQUENTIAL OR INCIDENTAL DAMAGES, MERCHANTABILITY, OR INFRINGEMENT OF ANY PATENT, COPYRIGHT OR OTHER INTELLECTUAL PROPERTY RIGHT. MACOM FURTHER DOES NOT WARRANT THE ACCURACY OR COMPLETENESS OF THE INFORMATION, TEXT, GRAPHICS OR OTHER ITEMS CONTAINED WITHIN THESE MATERIALS. MACOM SHALL NOT BE LIABLE FOR ANY SPECIAL, INDIRECT, INCIDENTAL, OR CONSEQUENTIAL DAMAGES, INCLUDING WITHOUT LIMITATION, LOST REVENUES OR LOST PROFITS, WHICH MAY RESULT FROM THE USE OF THESE MATERIALS.

MACOM products are not intended for use in medical, lifesaving or life sustaining applications. MACOM customers using or selling MACOM products for use in such applications do so at their own risk and agree to fully indemnify MACOM for any damages resulting from such improper use or sale.