

### Features

- Very Broadband Performance
- Low Insertion Loss: 1.9 dB Typical @ 20 GHz
- High Isolation: 40 dB Typical @ 20 GHz
- Fast Switching Speed
- Reflective Configuration
- Ultra Low DC Power Consumption
- Lead-Free 4 mm 24-Lead PQFN Package
- RoHS\* Compliant

### Applications

- Multi Market
- Test & Measurement
- EW
- Broadband Communications

### Description

The MASW-008322 is a versatile, broadband, high isolation SPDT switch offered in a lead-free 4 mm 24-lead PQFN surface mount plastic package. The design incorporates both series and shunt circuit elements with the locations optimized to achieve outstanding broadband performance to 20 GHz. The combination of broadband performance along with very fast switching and excellent settling time make this device ideal for many applications, including Test & Measurement, EW and broadband communication systems.

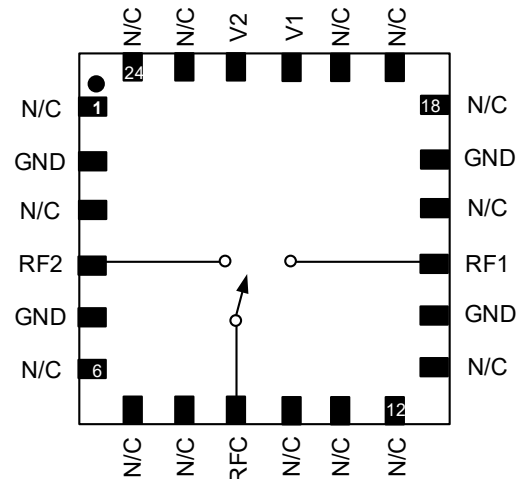
The MASW-008322 is fabricated using MACOM's mature 0.5  $\mu\text{m}$  Low Gate-Lag pHEMT process. This robust process features full surface passivation for high performance & high reliability.

### Ordering Information<sup>1,2</sup>

Part Number	Package
MASW-008322-TR0500	500 piece reel
MASW-008322-TR1000	1000 piece reel
MASW-008322-001SMB	Sample board

1. Reference Application Note M513 for reel size information.
2. All sample boards include 2 loose parts.

### Functional Schematic



### Pin Configuration<sup>3</sup>

Pin #	Function
1, 3, 6 - 8, 10 - 13, 16, 18 - 20, 23, 24	N/C
2, 5, 14, 17	GND
4	RF2
9	RFC
15	RF1
21	V1
22	V2
25	Paddle <sup>4</sup>

3. MACOM recommends that all unused (N/C) pins be connected to ground. All data on this datasheet was taken with N/C pins connected to ground.
4. The exposed pad centered on the package bottom must be connected to RF, DC and thermal ground.

\* Restrictions on Hazardous Substances, compliant to current RoHS EU directive.

**Electrical Specifications<sup>5</sup>:  $T_A = +25^\circ\text{C}$ <sup>6</sup>,  $Z_0 = 50 \Omega$ ,  $V_{1,2} = -5/0 \text{ V}$** 

Parameter	Test Conditions	Units	Min.	Typ.	Max.
Insertion Loss	1 GHz	dB	—	0.4	0.55
	10 GHz			1.0	—
	18 GHz			1.5	—
	20 GHz			1.9	2.5
Isolation	1 GHz	dB	50	52	—
	10 GHz		—	48	
	18 GHz		—	43	
	20 GHz		39	40	
VSWR	1 - 20 GHz	Ratio	—	2.0:1	—
$T_{\text{RISE}}, T_{\text{FALL}}$	10% to 90% RF and 90% to 10% RF	ns	—	9	—
$T_{\text{ON}}, T_{\text{OFF}}$	50% control to 90% RF, and 50% control to 10% RF	ns	—	12	25 <sup>7</sup>
Input P1dB	0.5 - 20 GHz, 0 to -5 V	dBm	—	30	—
IIP3	Two Tone, +5 dBm/Tone, 5 MHz Spacing, >50 MHz 0.5 - 20 GHz	dBm	—	48	—
Settling Time	50% Vctl to 0.1 dB of final value	$\mu\text{s}$	—	1	—
Control Current (Complementary Logic)	$V_{\text{IN}}$ Low, -5 V	$\mu\text{A}$	—	3	50
	$V_{\text{IN}}$ High, 0 V			—	20

5. All specifications apply with 50  $\Omega$  impedance connected to all RF ports, 0 and -5 VDC control voltages.

6. Loss changes 0.0025 dB/ $^\circ\text{C}$  (from -55 $^\circ\text{C}$  to +85 $^\circ\text{C}$ ).

7. Max switching speed guaranteed by design.

### Absolute Maximum Ratings<sup>8</sup>

Parameter	Absolute Maximum
Control Voltage	-8.5 VDC
Input RF Power	+33 dBm
Operating Temperature	-40 to +85 $^\circ\text{C}$
Storage Temperature	-65 $^\circ\text{C}$ to +150 $^\circ\text{C}$

8. Exceeding any one or combination of these limits may cause permanent damage to this device.

### Handling Procedures

Please observe the following precautions to avoid damage:

### Static Sensitivity

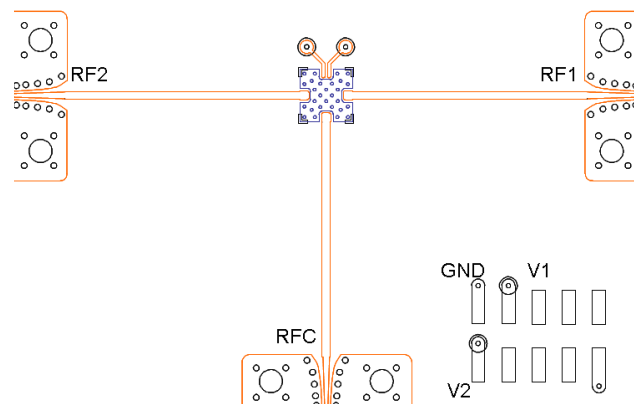
Gallium Arsenide Integrated Circuits are sensitive to electrostatic discharge (ESD) and can be damaged by static electricity. Proper ESD control techniques should be used when handling these devices.

### Truth Table<sup>9</sup>

Control Inputs		Condition of Switch	
V1	V2	RF1	RF2
High	Low	Off	On
Low	High	On	Off

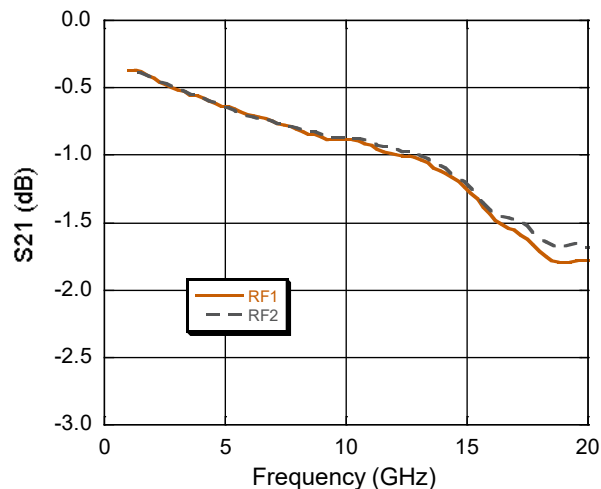
9.  $V_{\text{low}} = -5 \text{ V}$ ,  $V_{\text{high}} = 0 \text{ V}$

### Sample Test Board 0.75 - 26.50 GHz

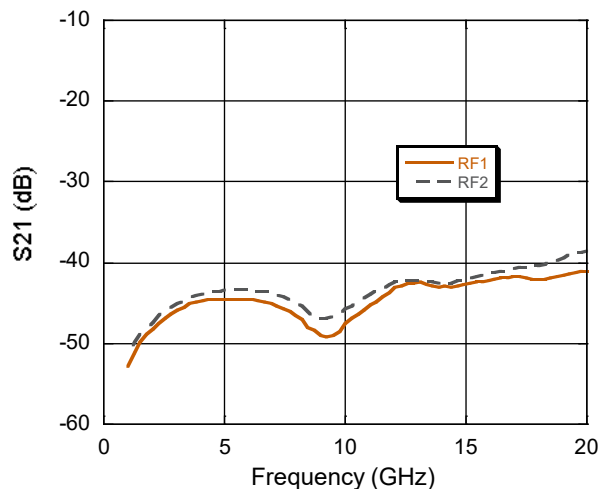


Typical Performance Curves

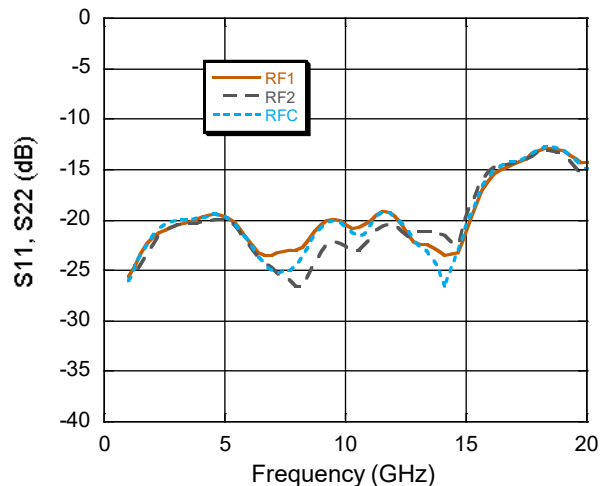
Insertion Loss



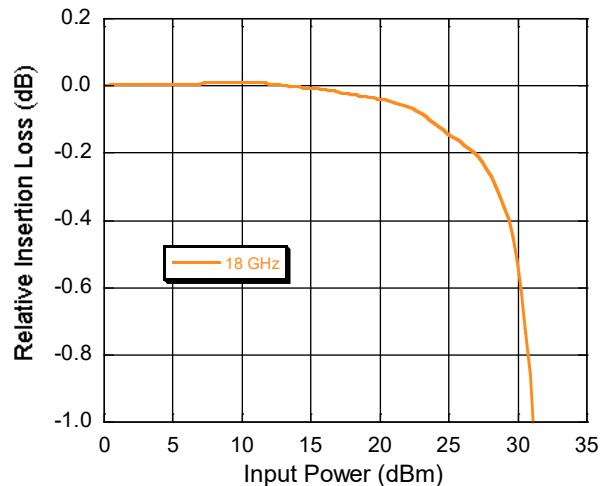
Isolation



Return Loss



P1dB

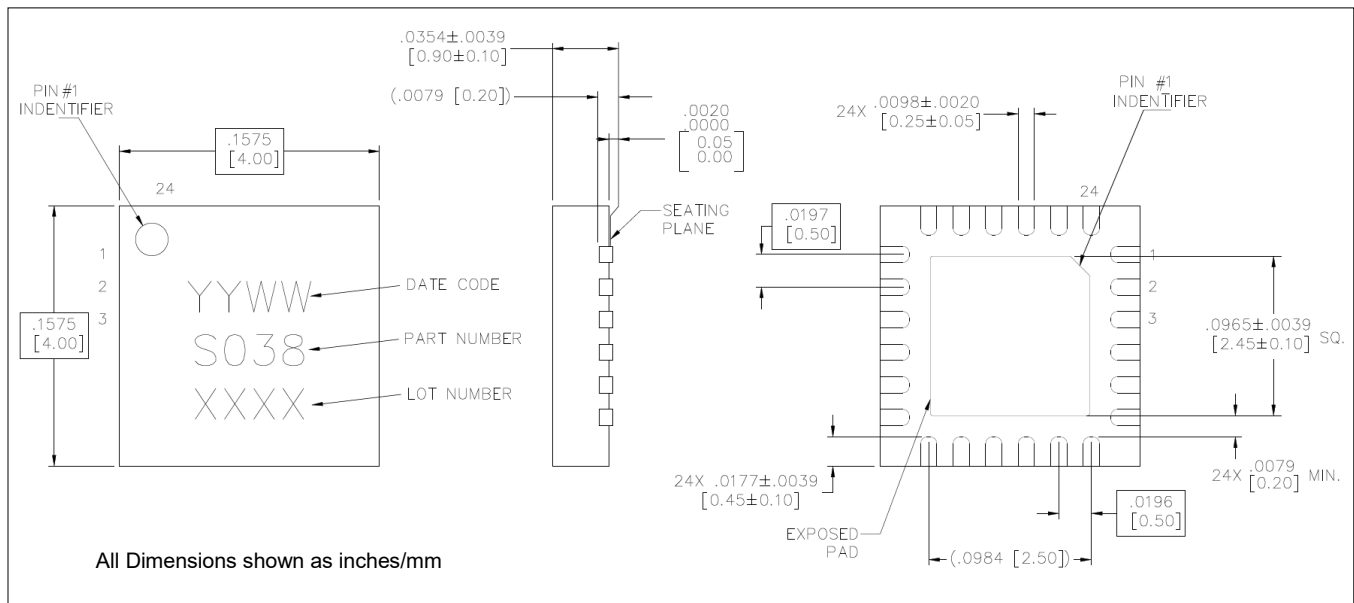


# GaAs SPDT Switch DC - 20 GHz



**MASW-008322**  
Rev. V4

## Lead Free 4 mm 24-Lead PQFN †



† Reference Application Note S2083 for lead-free solder reflow recommendations.  
Meets JEDEC moisture sensitivity level 1 requirements.  
Plating is 100% matte tin over copper.

MACOM Technology Solutions Inc. ("MACOM"). All rights reserved.

These materials are provided in connection with MACOM's products as a service to its customers and may be used for informational purposes only. Except as provided in its Terms and Conditions of Sale or any separate agreement, MACOM assumes no liability or responsibility whatsoever, including for (i) errors or omissions in these materials; (ii) failure to update these materials; or (iii) conflicts or incompatibilities arising from future changes to specifications and product descriptions, which MACOM may make at any time, without notice. These materials grant no license, express or implied, to any intellectual property rights.

THESE MATERIALS ARE PROVIDED "AS IS" WITH NO WARRANTY OR LIABILITY, EXPRESS OR IMPLIED, RELATING TO SALE AND/OR USE OF MACOM PRODUCTS INCLUDING FITNESS FOR A PARTICULAR PURPOSE, MERCHANTABILITY, INFRINGEMENT OF INTELLECTUAL PROPERTY RIGHT, ACCURACY OR COMPLETENESS, OR SPECIAL, INDIRECT, INCIDENTAL, OR CONSEQUENTIAL DAMAGES WHICH MAY RESULT FROM USE OF THESE MATERIALS.

MACOM products are not intended for use in medical, lifesaving or life sustaining applications. MACOM customers using or selling MACOM products for use in such applications do so at their own risk and agree to fully indemnify MACOM for any damages resulting from such improper use or sale.