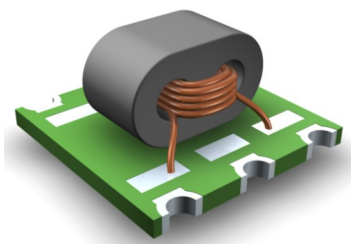


**Power Divider, 2 Way, 0°**  
**5 - 1000 MHz**

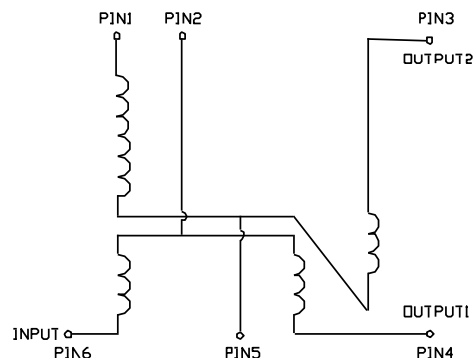
Rev. V3

## Features

- 2 Way, 0 Degree
- Surface Mount Package
- Available on Tape and Reel
- 260°C Reflow Compatible
- RoHS Compliant and Pb Free
- Excellent Temperature Stability



## Schematic



## Pin Configuration

Pin #	Function	Pin #	Function
1	Ground	4	Output Port 1
2, 5	Not Connected	6	Input
3	Output Port 2		

**Electrical Specifications: Freq. = 5 - 1000 MHz,  $Z_0 = 75 \Omega$ ,  $T_A = 25^\circ\text{C}$ ,  $P_{IN} = 0 \text{ dBm}$**

Parameter	Freq. Test Conditions (MHz)	Units	Min	Typ	Max
Power Split	—	dB	—	3	
Insertion Loss	5 - 40	dB	—	0.2	1.0
	40 - 400			0.3	0.7
	400 - 500			0.4	0.7
	500 - 1000			0.7	1.2
Amplitude Balance	5 - 40	dB	—	—	$\pm 0.6$
	40 - 400				$\pm 0.4$
	400 - 500				$\pm 0.6$
	500 - 1000				$\pm 0.7$
Phase Balance	5 - 40	Degree	—	—	$\pm 3.0$
	40 - 400				$\pm 3.0$
	400 - 500				$\pm 3.0$
	500 - 1000				$\pm 5.0$
Input Return Loss	5 - 40	dB	15	38	—
	40 - 870		17	25	
	870 - 1000		16	19	
Output Return Loss	5 - 40	dB	14	29	—
	40 - 870		15	21	
	870 - 1000		13	15	
Isolation	5 - 40	dB	19	36	—
	40 - 400		19	30	
	400 - 500		16	29	
	500 - 1000		16	29	
			10	25	

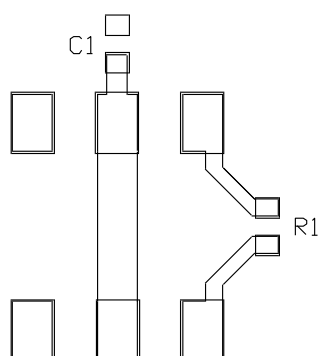
## Ordering Information

Part Number	Description
MAPD-010362-C20FA0	2000 piece reel
MAPD-010362-C20FTB	customer evaluation board

## Recommended Maximum Ratings

Parameter	Absolute Maximum
Input Power	250 mW
DC Current	200 mA
Operating Temperature	-40°C to +85°C
Storage Temperature	-55°C to +125°C

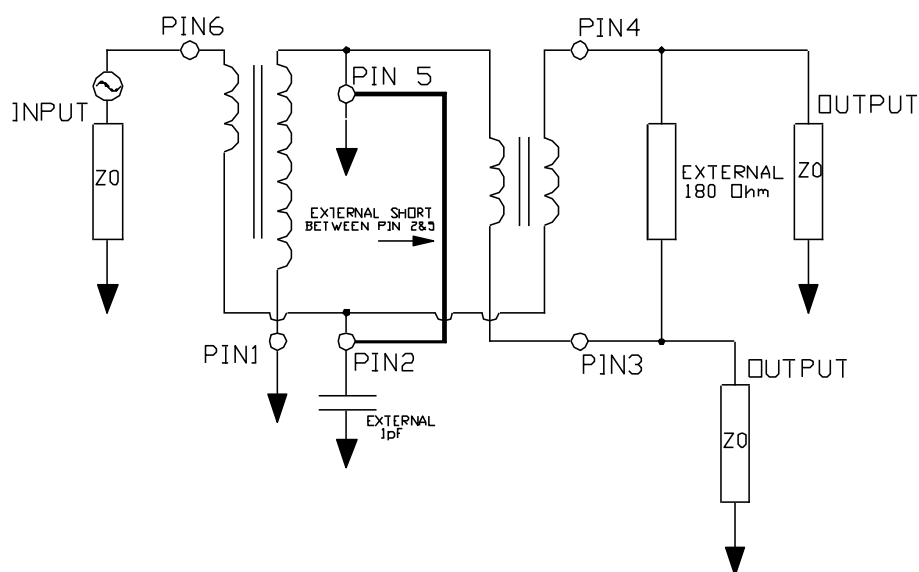
## Recommend PCB Layout



## Parts List

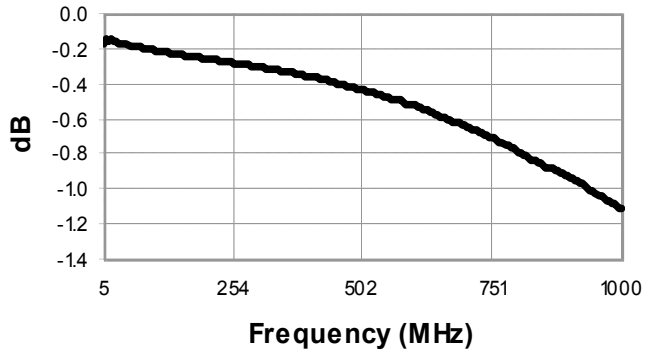
Reference Designator	Description	Value
C1	Cap.,0402	1 pF
R1	Res.,0402	180 Ω

## Application Circuit

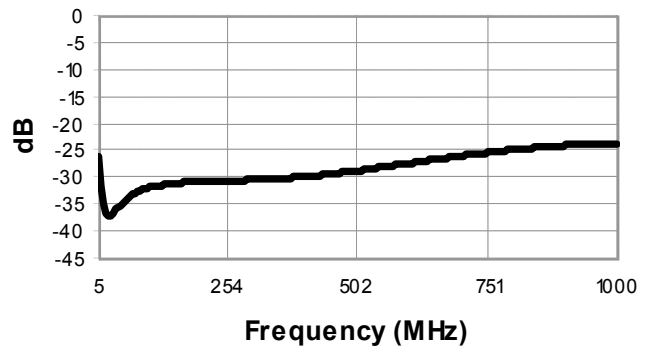


## Typical Performance Curves

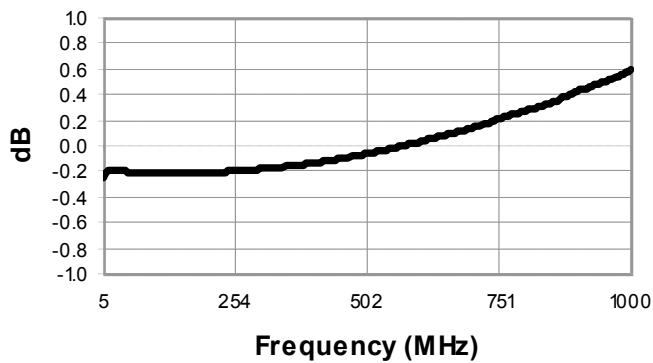
*Insertion Loss (pin 6 - pin 4)*



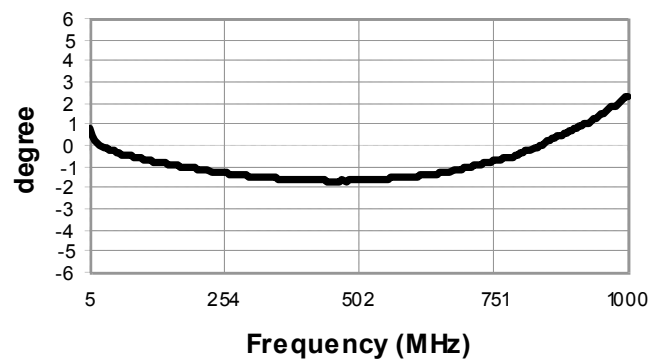
*Isolation*



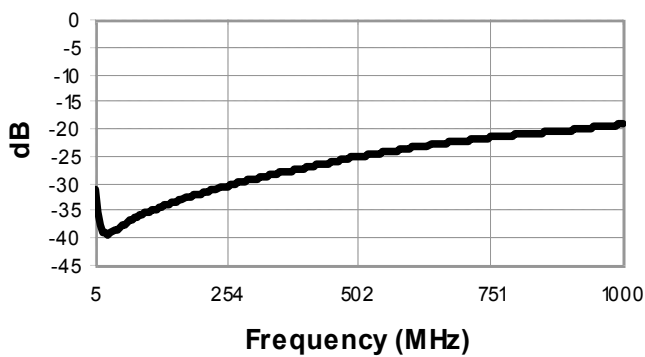
*Amplitude Balance*



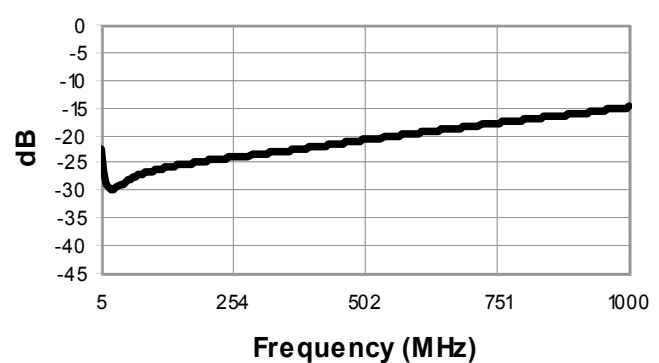
*Phase Balance*



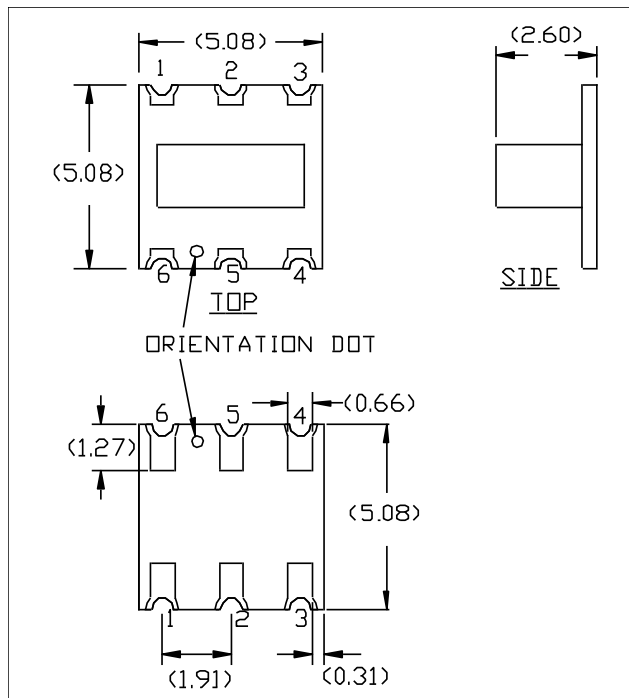
*Input Return Loss*



*Output Return Loss*

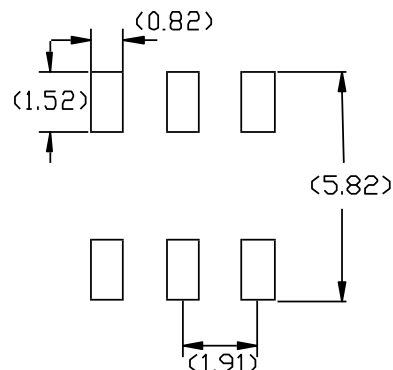


## Outline Drawing



1. Dimensions in mm.
2. Tolerance:  $\pm 0.2$  mm unless otherwise noted.
3. Model number and lot code are printed on the reel.
4. Finish: Electroless nickel immersion gold

## Recommended Footprint



## Tape & Reel Information

Parameter	Units	Value
Qty per reel	-	2000
Reel Size	mm	330
Tape Width	mm	12.0
Pitch	mm	8.0
Ao	mm	5.3
Bo	mm	5.3
Ko	mm	2.7
Orientation	-	F2
Reference Application Note ANI-019 for orientation		

MACOM Technology Solutions Inc. All rights reserved.

Information in this document is provided in connection with MACOM Technology Solutions Inc ("MACOM") products. These materials are provided by MACOM as a service to its customers and may be used for informational purposes only. Except as provided in MACOM's Terms and Conditions of Sale for such products or in any separate agreement related to this document, MACOM assumes no liability whatsoever. MACOM assumes no responsibility for errors or omissions in these materials. MACOM may make changes to specifications and product descriptions at any time, without notice. MACOM makes no commitment to update the information and shall have no responsibility whatsoever for conflicts or incompatibilities arising from future changes to its specifications and product descriptions. No license, express or implied, by estoppel or otherwise, to any intellectual property rights is granted by this document.

THESE MATERIALS ARE PROVIDED "AS IS" WITHOUT WARRANTY OF ANY KIND, EITHER EXPRESS OR IMPLIED, RELATING TO SALE AND/OR USE OF MACOM PRODUCTS INCLUDING LIABILITY OR WARRANTIES RELATING TO FITNESS FOR A PARTICULAR PURPOSE, CONSEQUENTIAL OR INCIDENTAL DAMAGES, MERCHANTABILITY, OR INFRINGEMENT OF ANY PATENT, COPYRIGHT OR OTHER INTELLECTUAL PROPERTY RIGHT. MACOM FURTHER DOES NOT WARRANT THE ACCURACY OR COMPLETENESS OF THE INFORMATION, TEXT, GRAPHICS OR OTHER ITEMS CONTAINED WITHIN THESE MATERIALS. MACOM SHALL NOT BE LIABLE FOR ANY SPECIAL, INDIRECT, INCIDENTAL, OR CONSEQUENTIAL DAMAGES, INCLUDING WITHOUT LIMITATION, LOST REVENUES OR LOST PROFITS, WHICH MAY RESULT FROM THE USE OF THESE MATERIALS.

MACOM products are not intended for use in medical, lifesaving or life sustaining applications. MACOM customers using or selling MACOM products for use in such applications do so at their own risk and agree to fully indemnify MACOM for any damages resulting from such improper use or sale.