

Silicon Double Balanced HMIC Mixer 700—1400 MHz

Rev. V2

Features

- + 3 to + 7 dBm
- Fully Balanced Passive Mixer
- NO External Matching Required
- Low Cost Surface Mount Package
- RoHS* Compliant with 260 °C Reflow Capability
- 100% Matte Tin Plating

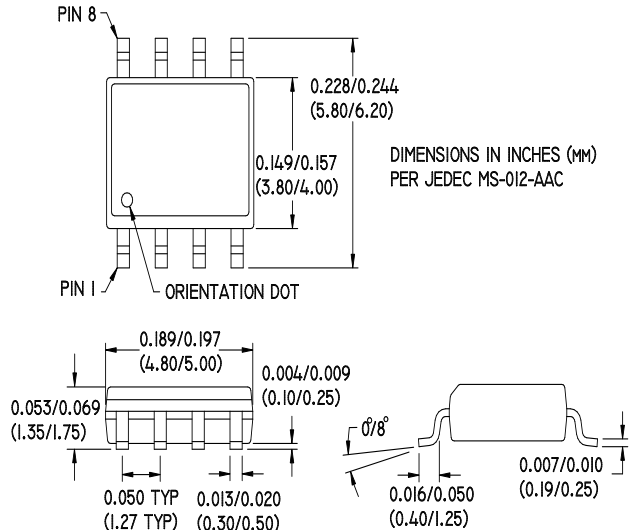
Description

MAMX-000900-1061LT is a silicon monolithic 700-1400 MHz, low barrier, double balanced mixer in a low cost surface mount SOIC-8 package. The die uses M/A-COM's unique HMIC silicon/glass process to realize low loss passive elements while retaining the advantages of low barrier silicon Schottky barrier diodes to produce a compact device.

Applications

These mixers are well suited for applications where small size and repeatability are required. Typical applications include frequency conversion, modulation, and demodulation in wireless receivers and transmitters.

SOIC-8 Package



Pin Configuration

PIN	Function	PIN	Function
1	GND	5	LO
2	GND	6	GND
3	GND	7	GND
4	IF	8	RF

Ordering Information

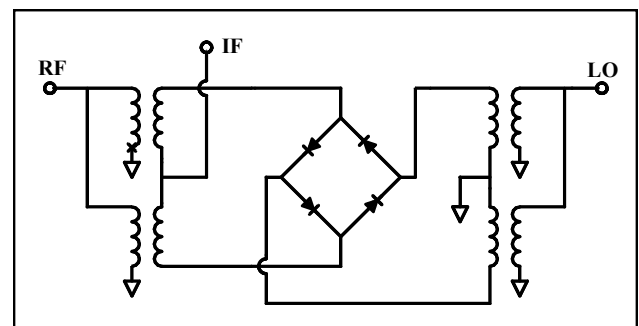
Model No.	Package
MAMX-000900-1061LT	Tape and Reel

Absolute Maximum Ratings ^{1,2}

Parameter	Maximum Rating
Operating Temperature	-40°C to +85°C
Storage Temperature	-65°C to 125°C
Incident LO Power	+17 dBm
Incident RF Power	+17 dBm
Soldering Temperature	+260°C max.

1. Exceeding these limits may cause permanent damage.
2. Please refer to application note M538 for surface mounting instructions

Schematic



* Restrictions on Hazardous Substances, European Union Directive 2002/95/EC.

Silicon Double Balanced HMIC Mixer 700—1400 MHz

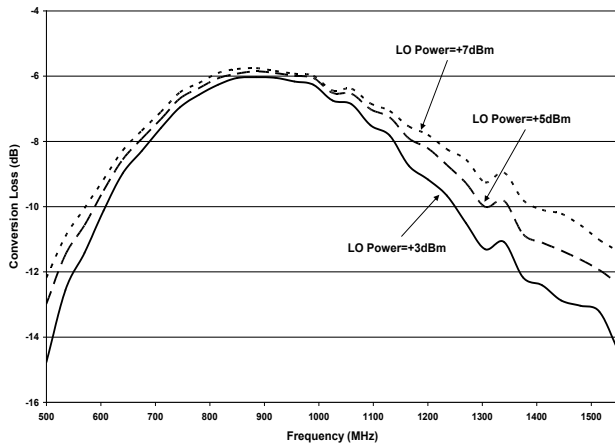
Rev. V2

Electrical Specifications @ 25°C

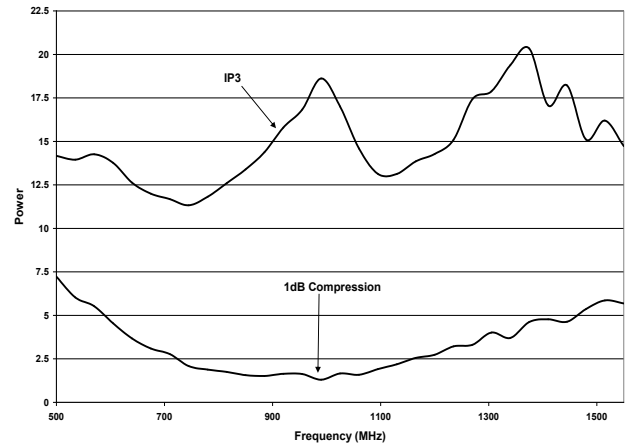
Parameter	Frequency Range	Test Conditions	Units	Min.	Typ.	Max.
Conversion Loss	700-800 MHz	LO Drive = +7 dBm RF = -10 dBm, IF = 60 MHz	dB	-	6.7	9.5
	800-1000 MHz			-	6.0	8.0
	1000-1250 MHz				7.2	10.5
	1250-1400 MHz				9.2	12.0
L - R Isolation	700-1000 MHz	LO Drive = +7 dBm	dB	26	37.6	-
	1000-1400 MHz			24	32.1	-
L - I Isolation	700-1000 MHz	LO Drive = +7 dBm	dB	24	36.4	-
	1000-1400 MHz			21	32.1	-
LO VSWR	700-1000 MHz	LO Drive = +7 dBm RF Level = - 10 dBm	Ratio	-	1.7:1	-
	1000-1400 MHz			-	2.3:1	-
RF VSWR	700-1000 MHz	LO Drive = +7 dBm RF Level = - 10 dBm	Ratio	-	1.5:1	-
	1000-1400 MHz			-	2.4:1	-
IF VSWR	DC - 400 MHz	LO Drive = +7 dBm IF Level = - 10 dBm	Ratio	-	1.5:1	-
Input IP3	700-1000 MHz	LO Drive = +7 dBm RF = - 10 dBm, IF = 60 MHz	dBm	9.0	14.1	-
	1000-1400 MHz			10.5	16.1	-
Input 1 dB Compression	700-1000 MHz	LO Drive = +7 dBm IF = 60 MHz	dBm	-	1.9	-
	1000-1400 MHz			-	3.0	-

Typical Performance Curves (LO Drive= +5/+7/+9dbm, RF= -10dBm, IF= 60MHz)

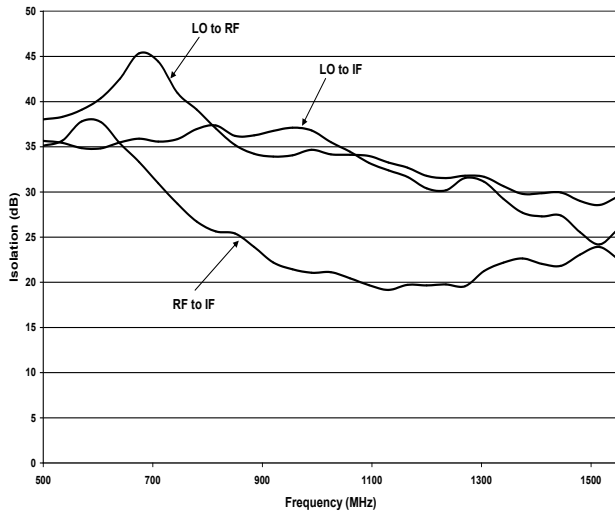
Conversion Loss



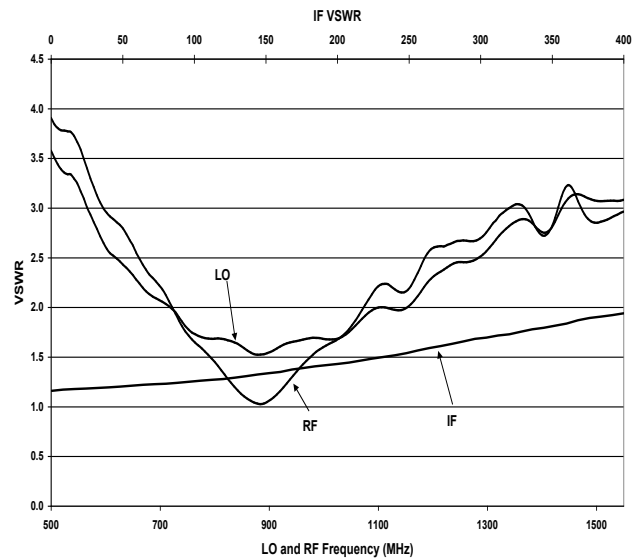
Input IP3



Isolation(LO Drive= +7dbm, RF= -10dBm)



VSWR(LO Drive= +7dbm, RF= -10dBm, IF=-10dBm)



Spurious Table (in dBc below IF)

		nf _{LO} +mf _{RF}								
LO (n)	-4	-	-	-	-	-	-	-	-	-
	-3	-	-	-	-	-	-	-	-	77
	-2	-	-	-	-	-	-	-	60	80
	-1	-	-	-	-	-	-	44	66	77
	0	-	-	-	-	-	16	61	61	95
	1	-	-	-	0	13	2	42	78	89
	2	-	-	55	27	15	27	71	72	87
	3	-	58	45	13	6	36	51	65	91
	4	80	57	61	31	36	39	60	71	94
		-4	-3	-2	-1	0	1	2	3	4
		RF (m)								

RF=920MHz
LO=980MHz

M/A-COM Technology Solutions Inc. All rights reserved.

Information in this document is provided in connection with M/A-COM Technology Solutions Inc ("MACOM") products. These materials are provided by MACOM as a service to its customers and may be used for informational purposes only. Except as provided in MACOM's Terms and Conditions of Sale for such products or in any separate agreement related to this document, MACOM assumes no liability whatsoever. MACOM assumes no responsibility for errors or omissions in these materials. MACOM may make changes to specifications and product descriptions at any time, without notice. MACOM makes no commitment to update the information and shall have no responsibility whatsoever for conflicts or incompatibilities arising from future changes to its specifications and product descriptions. No license, express or implied, by estoppel or otherwise, to any intellectual property rights is granted by this document.

THESE MATERIALS ARE PROVIDED "AS IS" WITHOUT WARRANTY OF ANY KIND, EITHER EXPRESS OR IMPLIED, RELATING TO SALE AND/OR USE OF MACOM PRODUCTS INCLUDING LIABILITY OR WARRANTIES RELATING TO FITNESS FOR A PARTICULAR PURPOSE, CONSEQUENTIAL OR INCIDENTAL DAMAGES, MERCHANTABILITY, OR INFRINGEMENT OF ANY PATENT, COPYRIGHT OR OTHER INTELLECTUAL PROPERTY RIGHT. MACOM FURTHER DOES NOT WARRANT THE ACCURACY OR COMPLETENESS OF THE INFORMATION, TEXT, GRAPHICS OR OTHER ITEMS CONTAINED WITHIN THESE MATERIALS. MACOM SHALL NOT BE LIABLE FOR ANY SPECIAL, INDIRECT, INCIDENTAL, OR CONSEQUENTIAL DAMAGES, INCLUDING WITHOUT LIMITATION, LOST REVENUES OR LOST PROFITS, WHICH MAY RESULT FROM THE USE OF THESE MATERIALS.

MACOM products are not intended for use in medical, lifesaving or life sustaining applications. MACOM customers using or selling MACOM products for use in such applications do so at their own risk and agree to fully indemnify MACOM for any damages resulting from such improper use or sale.