

Features

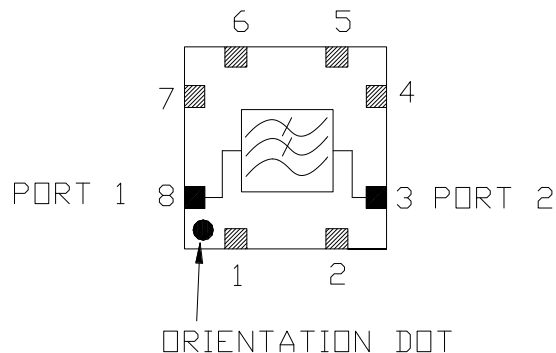
- 75 Ohm
- SMT unit
- RoHS Compliant and lead free
- 260°C Reflow Compatible

Description

MAFL-008070-CLOAD0 is a surface mount low-pass filter unit designed for MoCA applications.



Functional Schematic



Pin Configuration

Pin Number	Function
1, 2, 4-7	Ground
3	Port 2
8	Port 1

Electrical Specifications: $T_A = 25^\circ\text{C}$, $Z_0 = 75 \Omega$

Parameter	Test Conditions	Unit	Min.	Typ.	Max.
Insertion Loss	50 - 750 MHz	dB	—	0.75	1
	750 - 870 MHz			1.80	2
Stop band Rejection	975 - 1525 MHz	dB	30	34	—
	1790 - 2100 MHz		25	30	—
Input Return Loss	50 - 870 MHz	dB	12	13	—

Ordering Information

Part Number	Quantity
MAFL-008070-CLOAD0	500 pc. reel
MAFL-008080-CLOADB	evaluation PCB

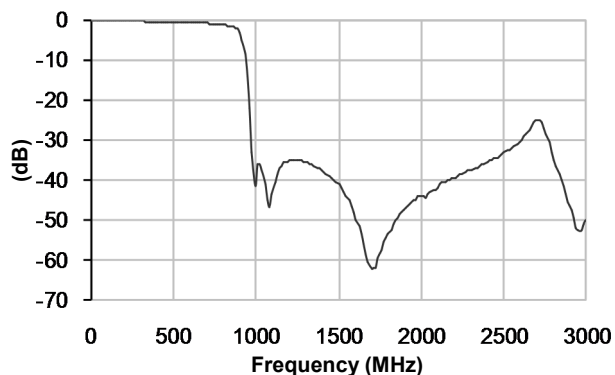
Recommended Maximum Ratings^{1,2}

Parameter	Value
DC Current	30 mA
RF Power	250 mW
Operating Temperature	-40°C to +85°C
Storage Temperature	-40°C to +85°C

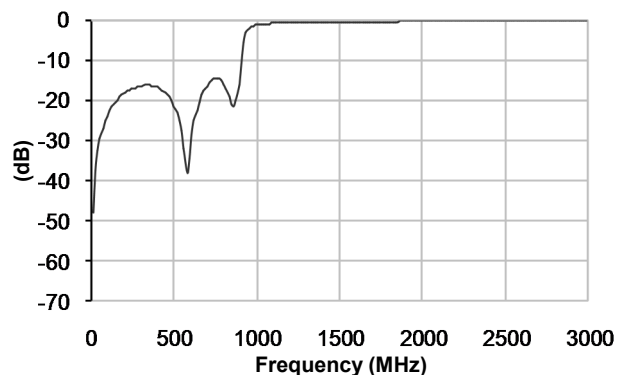
1. Exceeding any one or combination of these limits may cause permanent damage to this device.
2. MACOM does not recommend sustained operation near these survivability limits.

Typical Performance Curves at +25°C

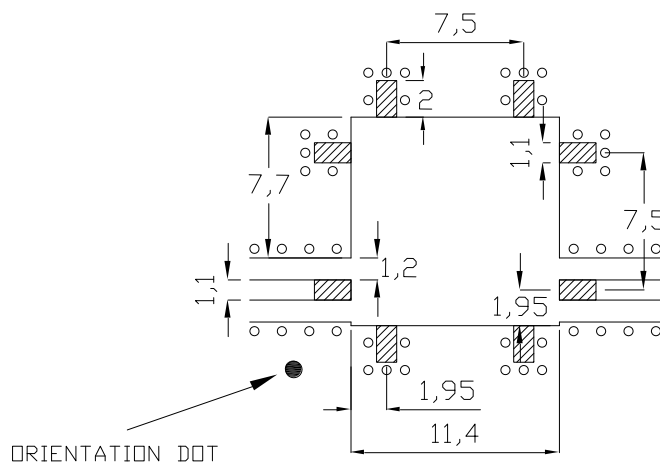
Insertion Loss



Return Loss

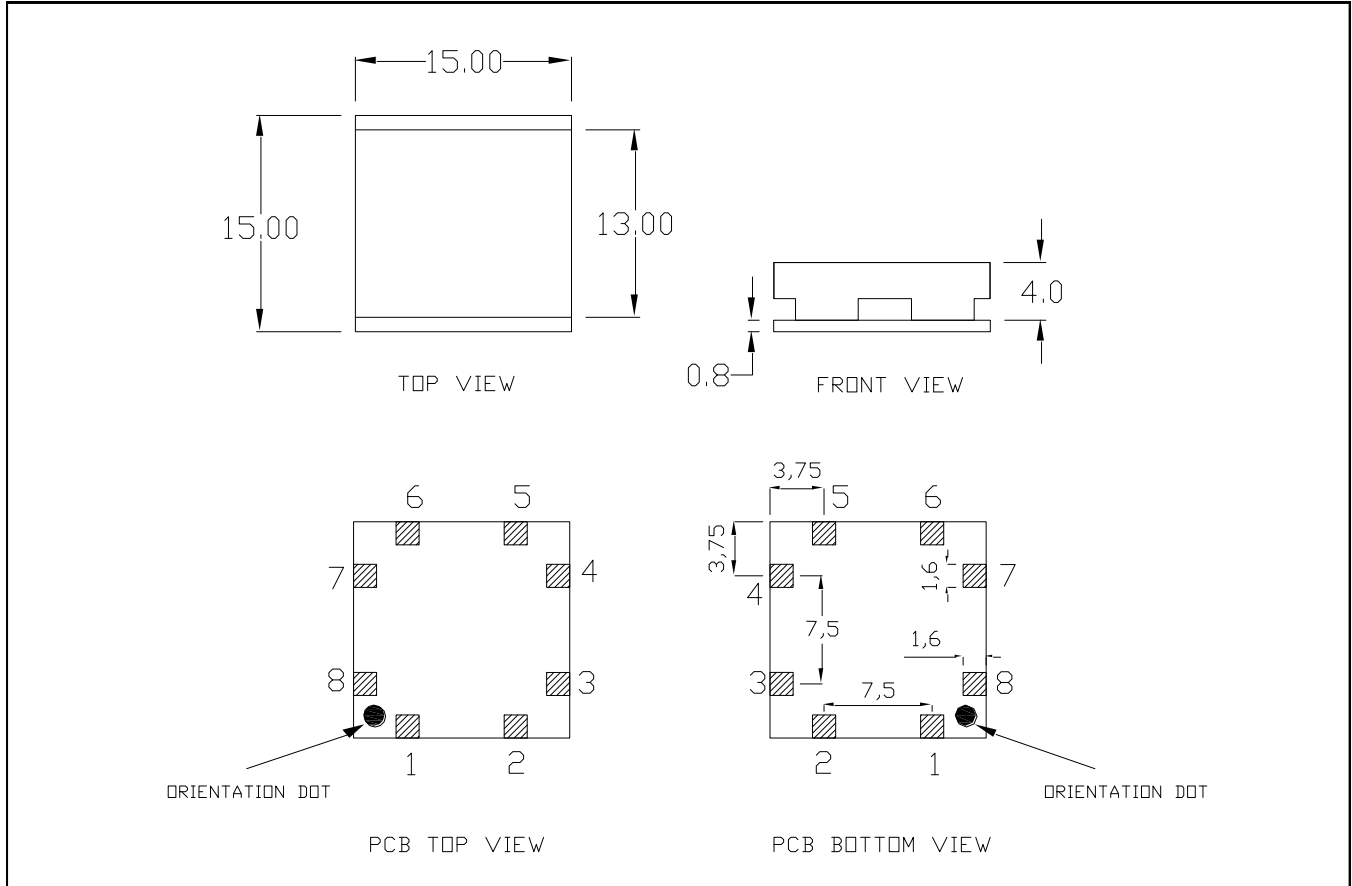


Recommended PCB Configuration

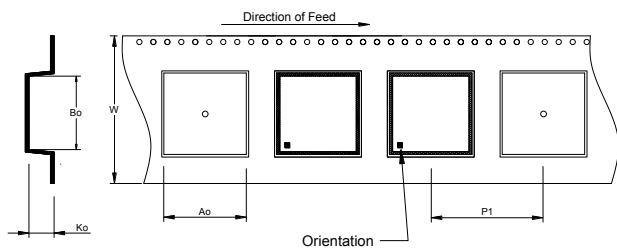


* Dimensions are millimeters ± 0.1 unless otherwise specified.

Outline Drawing:



Carrier Tape:



Tape & Reel Information

Parameter	Units	Value
Qty per reel	-	500
Reel Size	mm	330.0
Tape Width	mm	32.0
Pitch	mm	20.0
Orientation	-	F49
Reference Application Note ANI-019 for orientation		

MACOM Technology Solutions Inc. All rights reserved.

Information in this document is provided in connection with MACOM Technology Solutions Inc ("MACOM") products. These materials are provided by MACOM as a service to its customers and may be used for informational purposes only. Except as provided in MACOM's Terms and Conditions of Sale for such products or in any separate agreement related to this document, MACOM assumes no liability whatsoever. MACOM assumes no responsibility for errors or omissions in these materials. MACOM may make changes to specifications and product descriptions at any time, without notice. MACOM makes no commitment to update the information and shall have no responsibility whatsoever for conflicts or incompatibilities arising from future changes to its specifications and product descriptions. No license, express or implied, by estoppel or otherwise, to any intellectual property rights is granted by this document.

THESE MATERIALS ARE PROVIDED "AS IS" WITHOUT WARRANTY OF ANY KIND, EITHER EXPRESS OR IMPLIED, RELATING TO SALE AND/OR USE OF MACOM PRODUCTS INCLUDING LIABILITY OR WARRANTIES RELATING TO FITNESS FOR A PARTICULAR PURPOSE, CONSEQUENTIAL OR INCIDENTAL DAMAGES, MERCHANTABILITY, OR INFRINGEMENT OF ANY PATENT, COPYRIGHT OR OTHER INTELLECTUAL PROPERTY RIGHT. MACOM FURTHER DOES NOT WARRANT THE ACCURACY OR COMPLETENESS OF THE INFORMATION, TEXT, GRAPHICS OR OTHER ITEMS CONTAINED WITHIN THESE MATERIALS. MACOM SHALL NOT BE LIABLE FOR ANY SPECIAL, INDIRECT, INCIDENTAL, OR CONSEQUENTIAL DAMAGES, INCLUDING WITHOUT LIMITATION, LOST REVENUES OR LOST PROFITS, WHICH MAY RESULT FROM THE USE OF THESE MATERIALS.

MACOM products are not intended for use in medical, lifesaving or life sustaining applications. MACOM customers using or selling MACOM products for use in such applications do so at their own risk and agree to fully indemnify MACOM for any damages resulting from such improper use or sale.