

1:2 Transmission Line Balun 5 - 1800 MHz



MABA-011113

Rev. V1

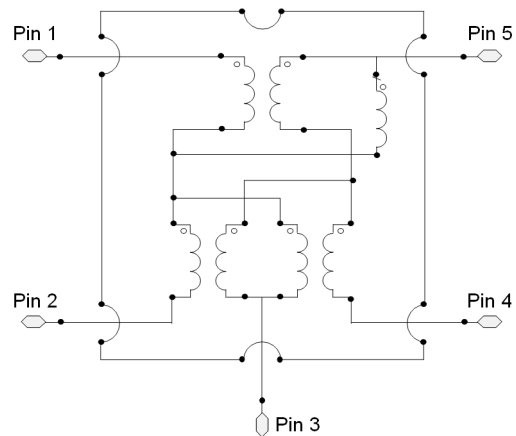
Features

- Surface Mount Package
- 1:2 Impedance
- Excellent Temperature Stability
- Available on Tape and Reel
- RoHS* Compliant and Lead Free
- 260°C Reflow Compatible

Description

The MABA-011113 is a 1:2 transmission line balun in a surface mount package. Ideally suited for all CATV Broadband and FTTx applications.

Functional Schematic



Ordering Information^{1,2}

Part #	Description
MABA-011113	900 piece reel
MABA-011113-TB	Customer test board

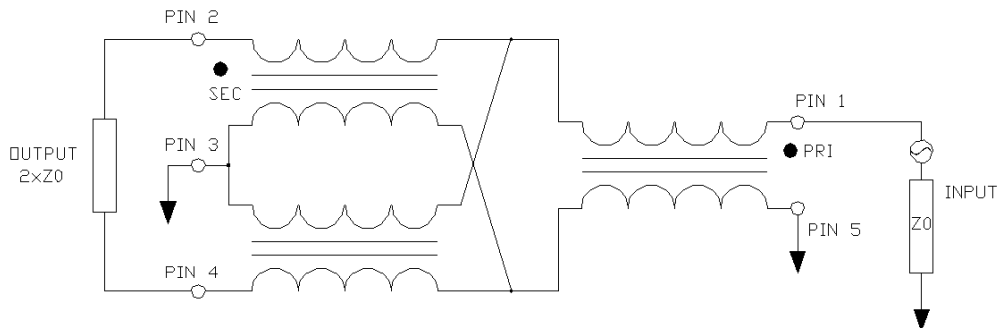
1. Reference Application Note M513 for reel size information.
2. All sample boards include 5 loose parts.

Pin Configuration³

Pin #	Function	Pin #	Function
1	Input (PRI dot)	4	Output 2 (SEC)
2	Output 1 (SEC dot)	5	Ground (PRI)
3	Centre tap (RF Ground)		

3. MACOM recommends connecting unused package pins to ground.

Application Schematic



* Restrictions on Hazardous Substances, compliant to current RoHS EU directive.

1:2 Transmission Line Balun

5 - 1800 MHz



MABA-011113

Rev. V1

Electrical Specifications: Freq. = 5 - 1800 MHz, T_A = 25°C, Z₀ = 75 Ω, P_{IN} = 0 dBm

Parameter	Test Frequency (MHz)	Units	Min.	Typ.	Max.
Impedance Ratio	—	Ratio	—	1:2	—
Insertion Loss 1 (pin 1 to pin 2)	5 - 500 500 - 1218 1218 - 1800	dB	—	1.1 2.0 4.2	1.4 3.0 5.4
Insertion Loss 2 (pin 1 to pin 4)	5 - 500 500 - 1218 1218 - 1800	dB	—	1.0 2.0 4.2	1.4 2.8 5.4
Balance Insertion Loss	5 - 500 500 - 1218 1218 - 1800	dB	—	1.0 2.0 4.1	1.3 2.7 5.3
Amplitude Balance	5 - 500 500 - 1218 1218 - 1800	dB	-0.6 -0.9 -1.7	0.2 0.2 0.9	0.6 0.9 1.7
Phase Balance	5 - 500 500 - 1218 1218 - 1800	°	-5 -15 -20	2.0 5.0 7.0	5 15 20
Input Return Loss (pin 1)	5 - 50 50 - 500 500 - 1218 1218 - 1800	dB	8 19 13 6	14 22 18 9	—
Balance Output Return Loss	5 - 50 50 - 500 500 - 1218 1218 - 1800	dB	8 19 13 7	14 22 18 9	—

Absolute Maximum Ratings^{4,5}

Parameter	Absolute Maximum
Input RF Power	1.5 W
DC Current	600 mA
Operating Temperature	-40°C to +85°C

- Exceeding any one or combination of these limits may cause permanent damage to this device.
- MACOM does not recommend sustained operation near these survivability limits.

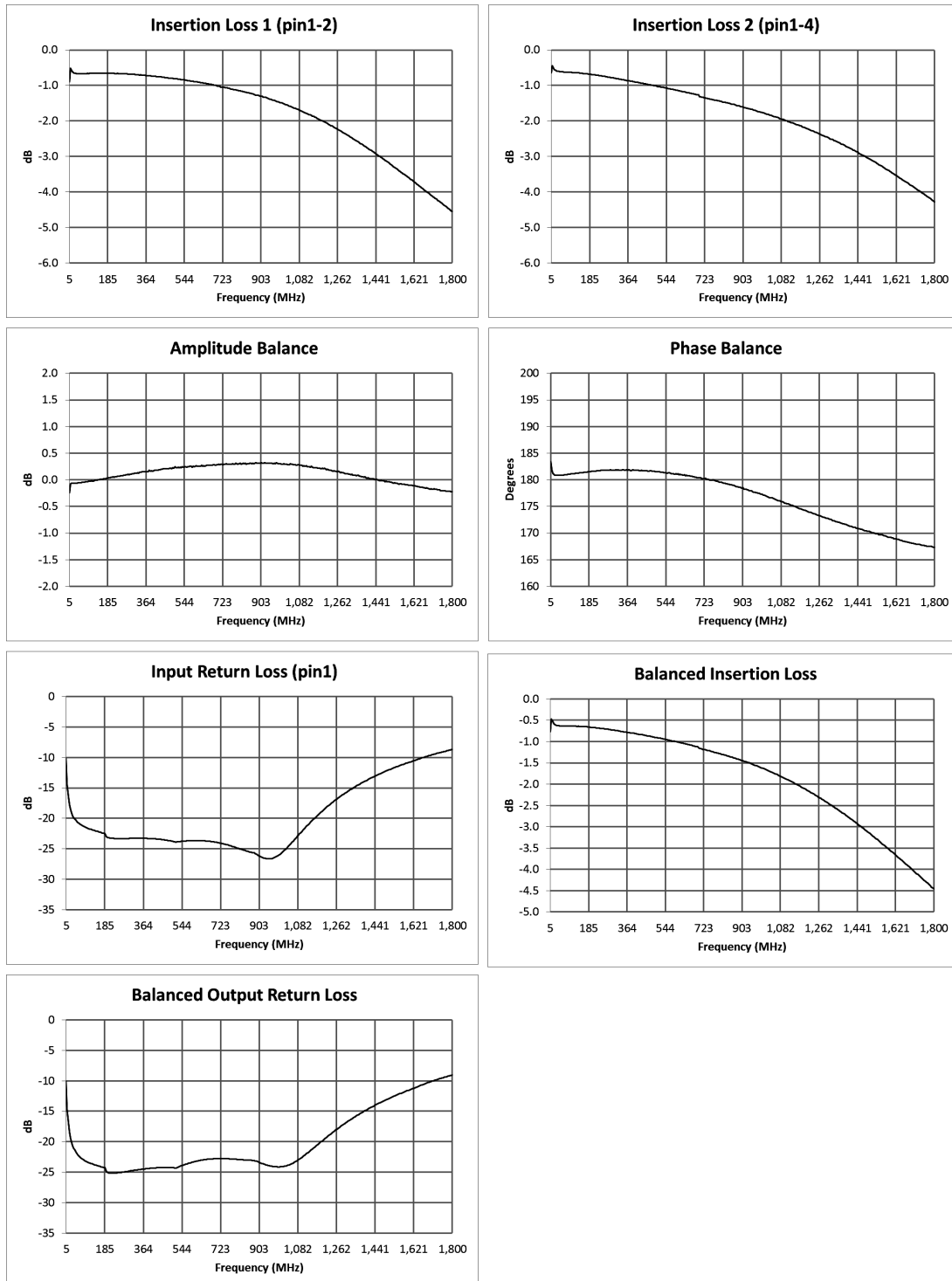
1:2 Transmission Line Balun 5 - 1800 MHz



MABA-011113

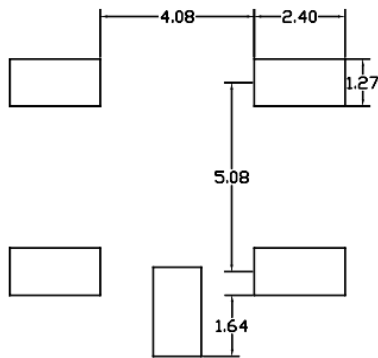
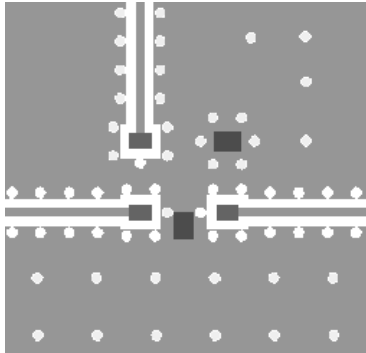
Rev. V1

Typical Performance Curves⁶



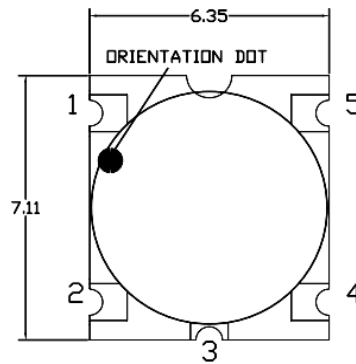
6. Full temperature plots available on request.

Recommended Board Layout⁷

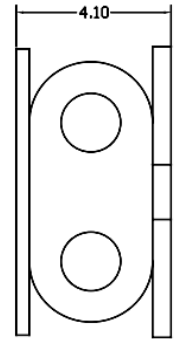


7. Recommended PCB layout shown above uses 1.6 mm FR4, Grounded coplanar wave guide, transmission line width 0.70 mm and gap 0.57 mm.

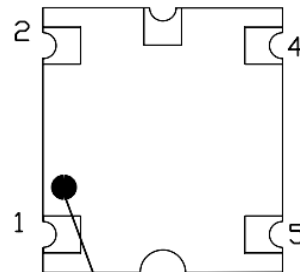
Outline Drawing^{8,9,10,11}



TOP VIEW



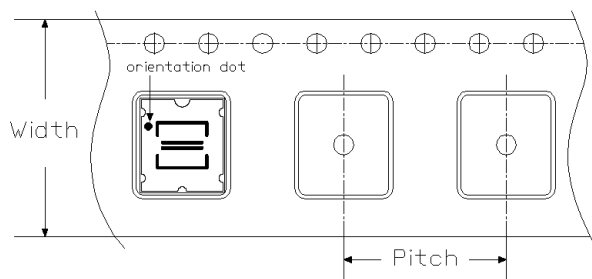
END VIEW



BOTTOM VIEW

- 8. Dimensions in mm.
- 9. Tolerance: ± 0.2 mm unless otherwise noted.
- 10. Model number and lot code are printed on the reel.
- 11. Plating finish: ENIG.

Carrier Tape Orientation



Tape & Reel Information

Parameter	Units	Value
Qty per reel	-	900
Reel Size	mm	330
Tape Width	mm	16.00
Pitch	mm	12.00
Orientation	-	F33
Reference Application Note ANI-019 for orientation		

1:2 Transmission Line Balun

5 - 1800 MHz



MABA-011113

Rev. V1

MACOM Technology Solutions Inc. All rights reserved.

Information in this document is provided in connection with MACOM Technology Solutions Inc ("MACOM") products. These materials are provided by MACOM as a service to its customers and may be used for informational purposes only. Except as provided in MACOM's Terms and Conditions of Sale for such products or in any separate agreement related to this document, MACOM assumes no liability whatsoever. MACOM assumes no responsibility for errors or omissions in these materials. MACOM may make changes to specifications and product descriptions at any time, without notice. MACOM makes no commitment to update the information and shall have no responsibility whatsoever for conflicts or incompatibilities arising from future changes to its specifications and product descriptions. No license, express or implied, by estoppel or otherwise, to any intellectual property rights is granted by this document.

THESE MATERIALS ARE PROVIDED "AS IS" WITHOUT WARRANTY OF ANY KIND, EITHER EXPRESS OR IMPLIED, RELATING TO SALE AND/OR USE OF MACOM PRODUCTS INCLUDING LIABILITY OR WARRANTIES RELATING TO FITNESS FOR A PARTICULAR PURPOSE, CONSEQUENTIAL OR INCIDENTAL DAMAGES, MERCHANTABILITY, OR INFRINGEMENT OF ANY PATENT, COPYRIGHT OR OTHER INTELLECTUAL PROPERTY RIGHT. MACOM FURTHER DOES NOT WARRANT THE ACCURACY OR COMPLETENESS OF THE INFORMATION, TEXT, GRAPHICS OR OTHER ITEMS CONTAINED WITHIN THESE MATERIALS. MACOM SHALL NOT BE LIABLE FOR ANY SPECIAL, INDIRECT, INCIDENTAL, OR CONSEQUENTIAL DAMAGES, INCLUDING WITHOUT LIMITATION, LOST REVENUES OR LOST PROFITS, WHICH MAY RESULT FROM THE USE OF THESE MATERIALS.

MACOM products are not intended for use in medical, lifesaving or life sustaining applications. MACOM customers using or selling MACOM products for use in such applications do so at their own risk and agree to fully indemnify MACOM for any damages resulting from such improper use or sale.