

MABA-011073



1:1 Flux Coupled Transformer
1 - 100 MHz

Rev. V1

Features

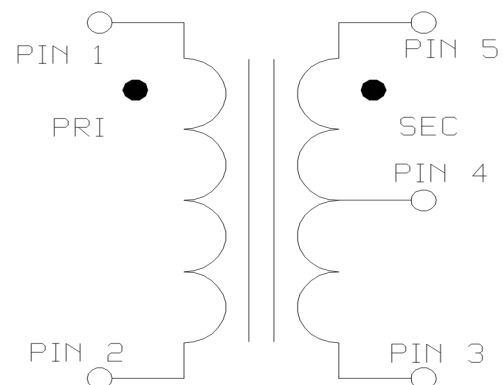
- Surface Mount
- 1:1 impedance
- Available on Tape and Reel
- RoHS Compliant and Lead free
- 260°C Reflow Compatible
- Excellent temperature stability

Description

1:1 flux coupled transformer in a low cost surface mount package. Ideally suited for all CATV Broadband and FTTH applications.



Functional Schematic



Ordering Information

Part Number	Package
MABA-011073	Tape & Reel
MABA-011073-TB	Customer test Board

Pin Configuration

Pin No.	Function
1	Primary Dot (input)
2	Primary (ground)
3	Secondary (output2)
4	Ground
5	Secondary (output1)

1:1 Flux Coupled Transformer 1 - 100 MHz

Rev. V1

Electrical Specifications: $T_A = 25^\circ\text{C}$, $Z_0 = 75\ \Omega$, $P_{in} = 0\text{dBm}$

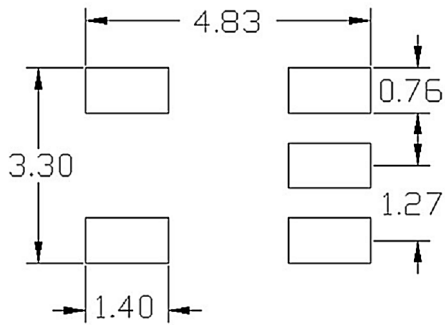
Parameter	Conditions	Units	Min	Typ	Max
Frequency Range	-	MHz	1	-	100
Impedance	-	Ω	-	75	-
Impedance Ratio	-	-	-	1:1	-
Insertion Loss 1 (Pin 1-5)	1 - 50 MHz	dB	-	0.2	0.4
	50 - 100 MHz	dB	-	0.3	0.6
Insertion Loss 2 (Pin 1-3)	1 - 50 MHz	dB	-	0.2	0.4
	50 - 100 MHz	dB	-	0.3	0.5
Amplitude Balance	1 - 100 MHz	dB	-	0.01	± 0.2
Phase Balance (ref value 180°)	1 - 100 MHz	$^\circ$	-	0.6	± 3.0
Input Return Loss Pin 1	1 - 50 MHz	dB	20	28	-
	50 - 100 MHz	dB	15	21	-

Recommended Maximum Ratings

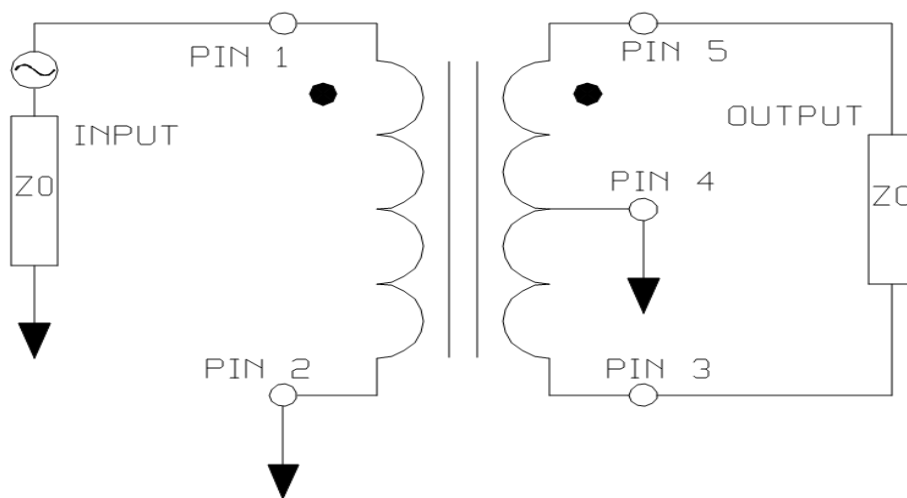
Parameter	Units	Min	Max
Input RF Power	mW	-	2000
DC Current	mA	-	1500
Operating Temperature Range	$^\circ\text{C}$	-40	+125

Full temperature plots available on request

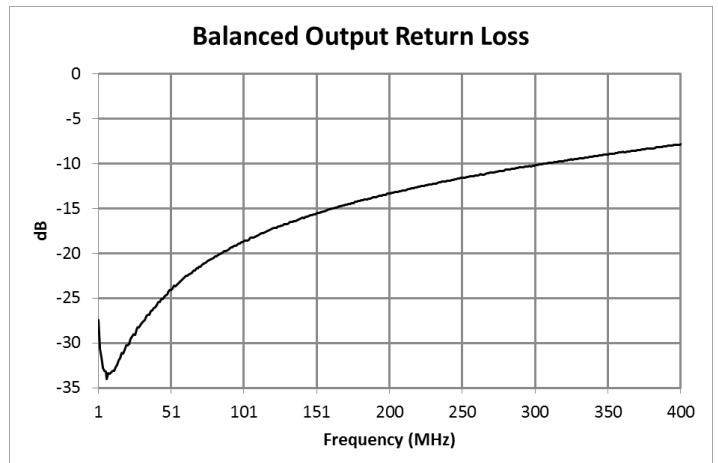
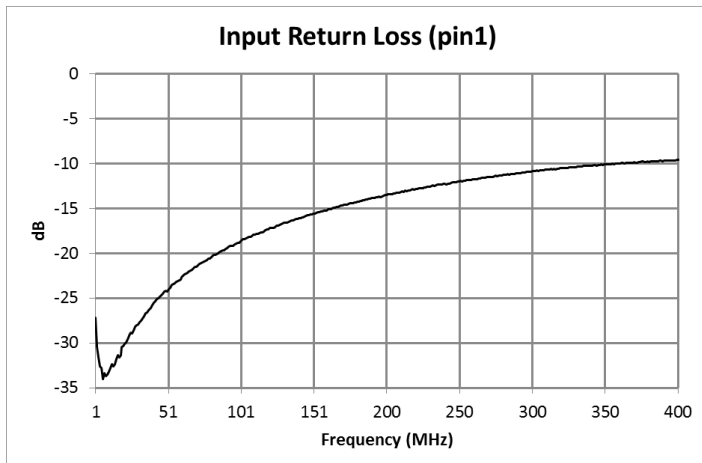
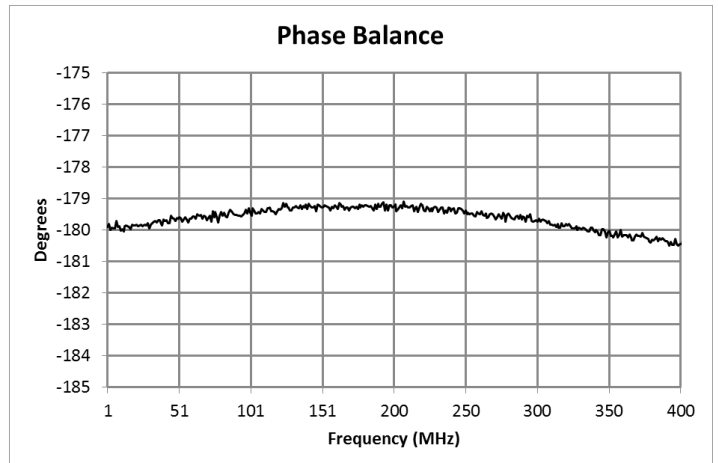
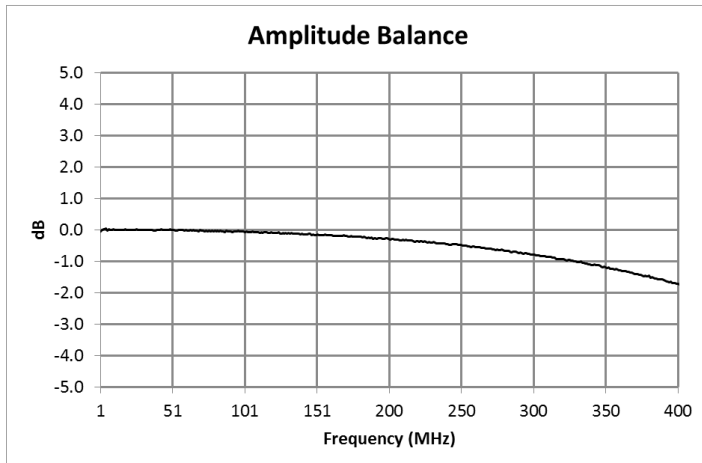
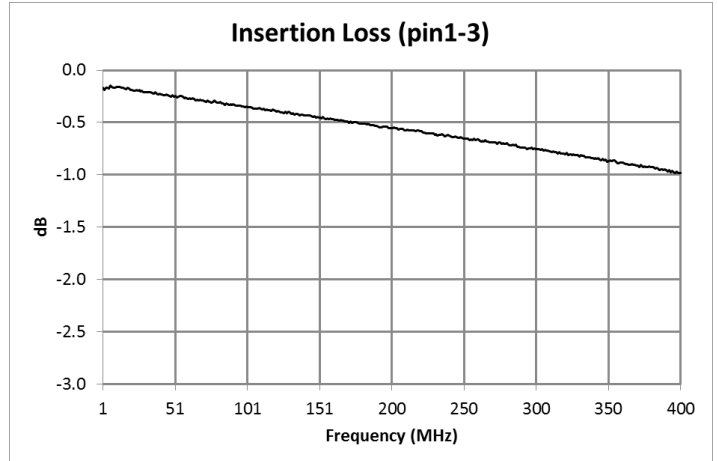
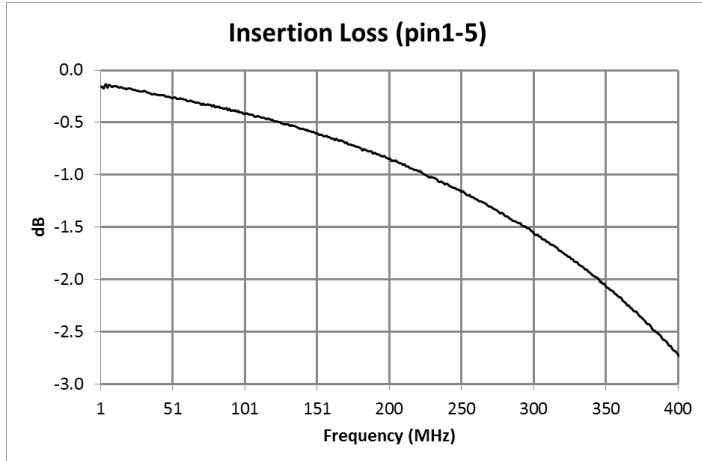
PCB Layout



Application Schematic



Typical Performance Curves



Electrical Specifications: $T_A = 25^\circ\text{C}$, $Z_0 = 75 \Omega$, $P_{in} = 0\text{dBm}$

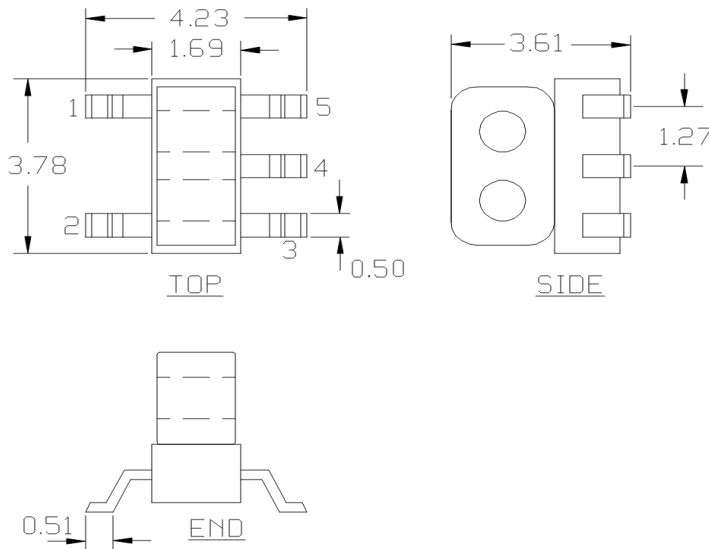
MABA-011073



1:1 Flux Coupled Transformer
1 - 100 MHz

Rev. V1

Outline Drawing

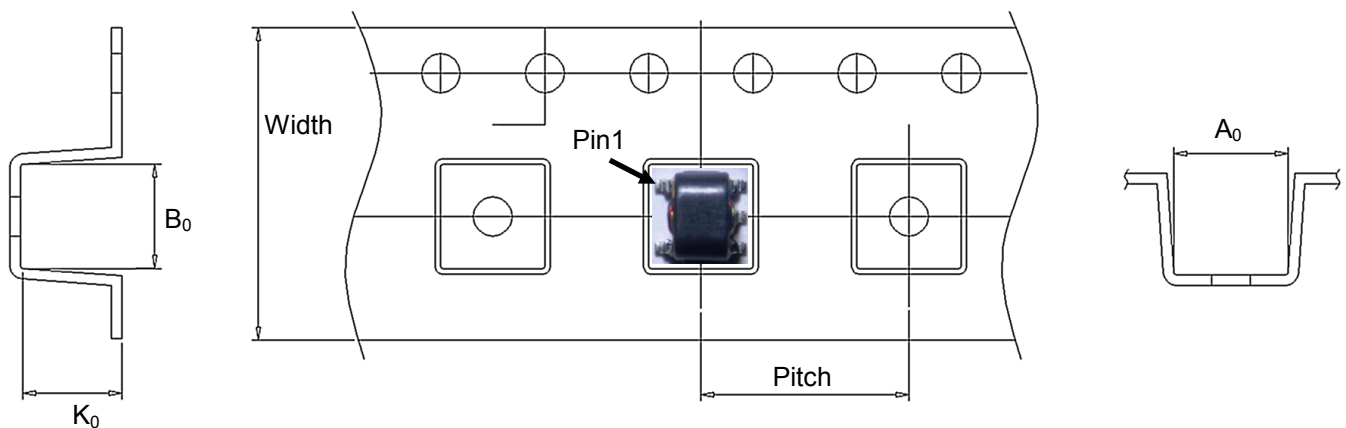


Tape & Reel Information

Parameter	Units	Value
Qty per reel	-	900
Reel Size	mm	330
Tape Width	mm	16.00
Pitch	mm	8.00
Orientation	-	F26
Reference App Note ANI-019 for orientation		

1. Dimensions in mm.
2. Tolerance: ± 0.2 mm unless otherwise noted.
3. Model number and lot code are printed on the reel.
4. Lead plating: (CuSn6) Lead finish SAC-305

Carrier Tape Orientation



M/A-COM Technology Solutions Inc. All rights reserved.

Information in this document is provided in connection with M/A-COM Technology Solutions Inc ("MACOM") products. These materials are provided by MACOM as a service to its customers and may be used for informational purposes only. Except as provided in MACOM's Terms and Conditions of Sale for such products or in any separate agreement related to this document, MACOM assumes no liability whatsoever. MACOM assumes no responsibility for errors or omissions in these materials. MACOM may make changes to specifications and product descriptions at any time, without notice. MACOM makes no commitment to update the information and shall have no responsibility whatsoever for conflicts or incompatibilities arising from future changes to its specifications and product descriptions. No license, express or implied, by estoppels or otherwise, to any intellectual property rights is granted by this document.

THESE MATERIALS ARE PROVIDED "AS IS" WITHOUT WARRANTY OF ANY KIND, EITHER EXPRESS OR IMPLIED, RELATING TO SALE AND/OR USE OF MACOM PRODUCTS INCLUDING LIABILITY OR WARRANTIES RELATING TO FITNESS FOR A PARTICULAR PURPOSE, CONSEQUENTIAL OR INCIDENTAL DAMAGES, MERCHANTABILITY, OR INFRINGEMENT OF ANY PATENT, COPYRIGHT OR OTHER INTELLECTUAL PROPERTY RIGHT. MACOM FURTHER DOES NOT WARRANT THE ACCURACY OR COMPLETENESS OF THE INFORMATION, TEXT, GRAPHICS OR OTHER ITEMS CONTAINED WITHIN THESE MATERIALS. MACOM SHALL NOT BE LIABLE FOR ANY SPECIAL, INDIRECT, INCIDENTAL, OR CONSEQUENTIAL DAMAGES, INCLUDING WITHOUT LIMITATION, LOST REVENUES OR LOST PROFITS, WHICH MAY RESULT FROM THE USE OF THESE MATERIALS.

MACOM products are not intended for use in medical, lifesaving or life sustaining applications. MACOM customers using or selling MACOM products for use in such applications do so at their own risk and agree to fully indemnify MACOM for any damages resulting from such improper use or sale.