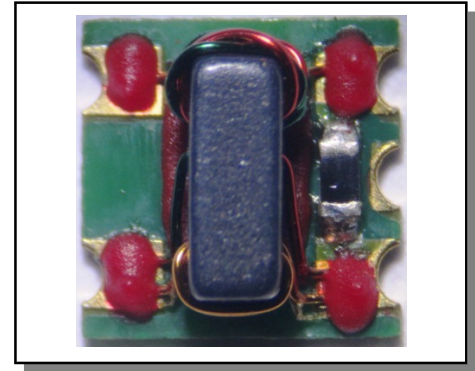


Transformer, 1:1.33
5 MHz - 1200 MHz

V1

Features

- 1:1.33 impedance ratio
- Surface mount
- Available on tape and reel
- 260°C reflow compatible
- RoHS Compliant and Pb free
- Excellent temperature stability
- Suitable for all CATV, Broadband and FTTx applications.



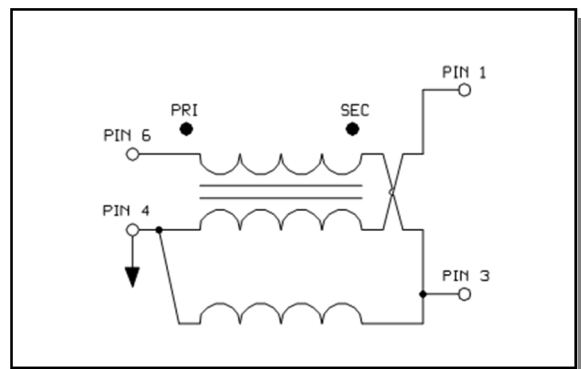
Electrical Specifications: $Z_0 = 75\Omega$, $T_A = 25^\circ\text{C}$, $P_{in} = 0\text{dBm}$

Parameter	Conditions	Units	Min	Typ	Max
Frequency Range		MHz	5		1200
Impedance		Ω		75	
Impedance Ratio				1:1.33	
Insertion Loss 1 (Pin6 - Pin1)	5 - 1200 MHz	dB	-	2.9	3.2
Insertion Loss 2 (Pin6 - Pin3)	5 - 500 MHz	dB	-	2.9	3.2
	500 - 1000 MHz	dB	-	3.0	3.5
	1000 - 1200 MHz	dB	-	3.2	3.7
Amplitude Balance	5 - 500 MHz	dB	-	0.05	0.2
	500 - 1000 MHz	dB	-	0.1	0.8
	500 - 1200 MHz	dB	-	0.4	1.2
Phase Balance	5 - 50 MHz	$^\circ$	-	0.3	2.0
	50 - 500 MHz	$^\circ$	-	3.5	8.0
	500 - 1200 MHz	$^\circ$	-	7.5	12.0
Input Return Loss (Pin6)	5 - 100 MHz	dB	14	15	-
	100 - 1200 MHz	dB	15	18	-

Pin Configuration

Pin No.	Function
1	Secondary Dot
2	Not Used
3	Secondary
4	Primary
6	Primary Dot

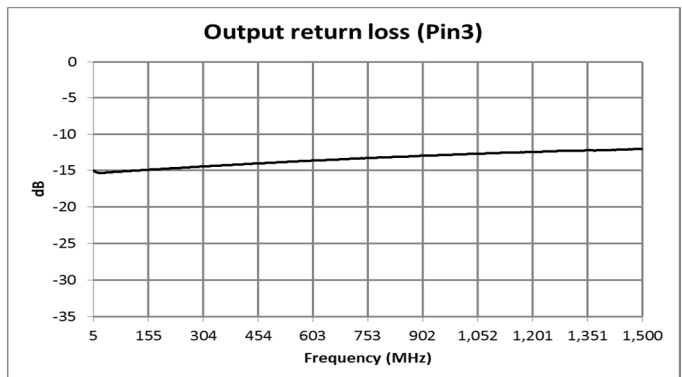
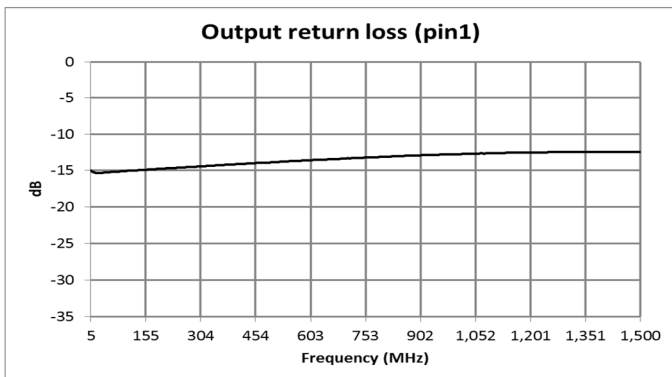
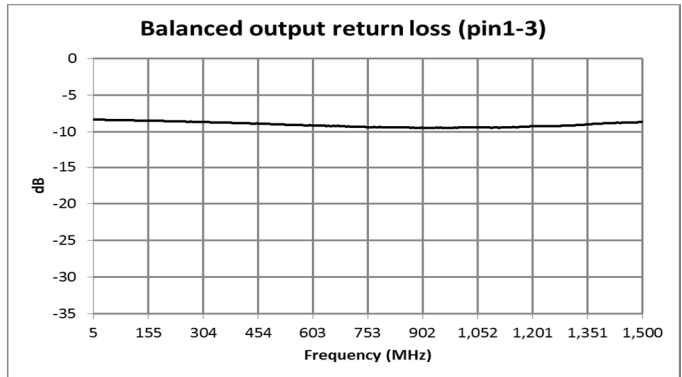
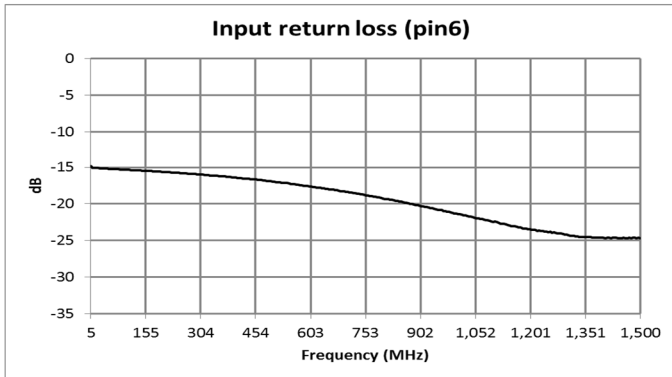
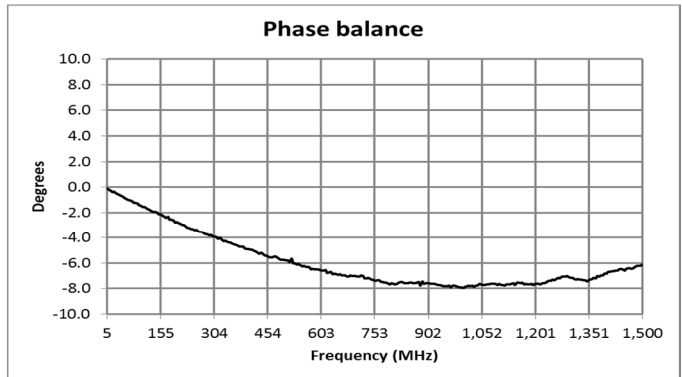
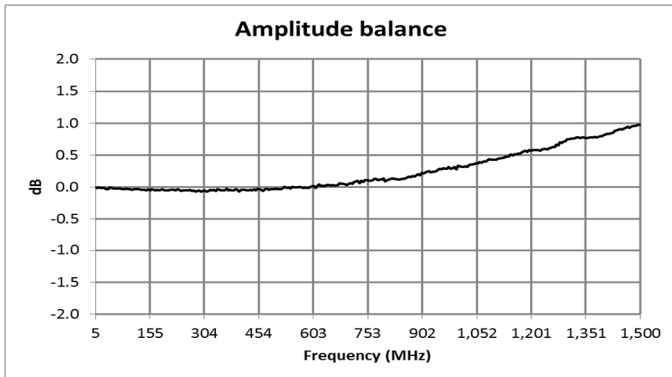
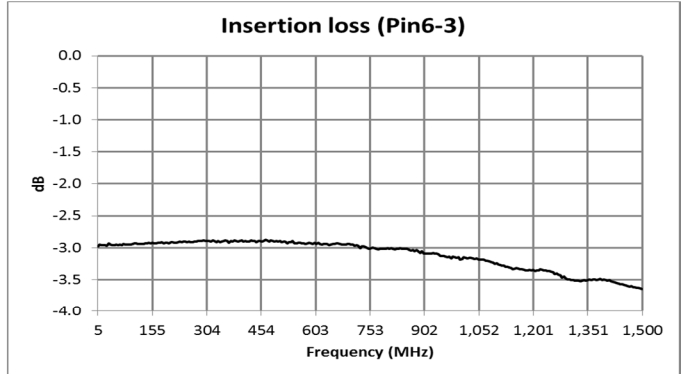
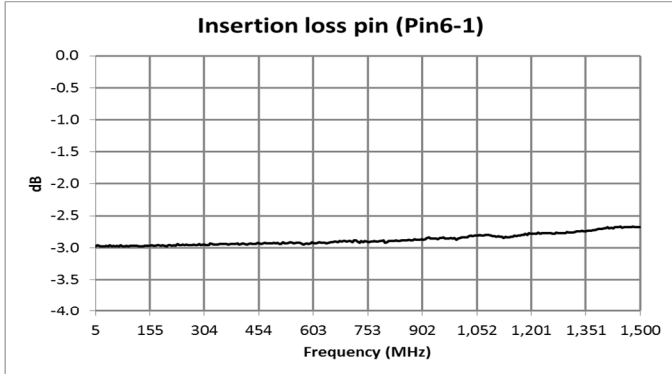
Schematic



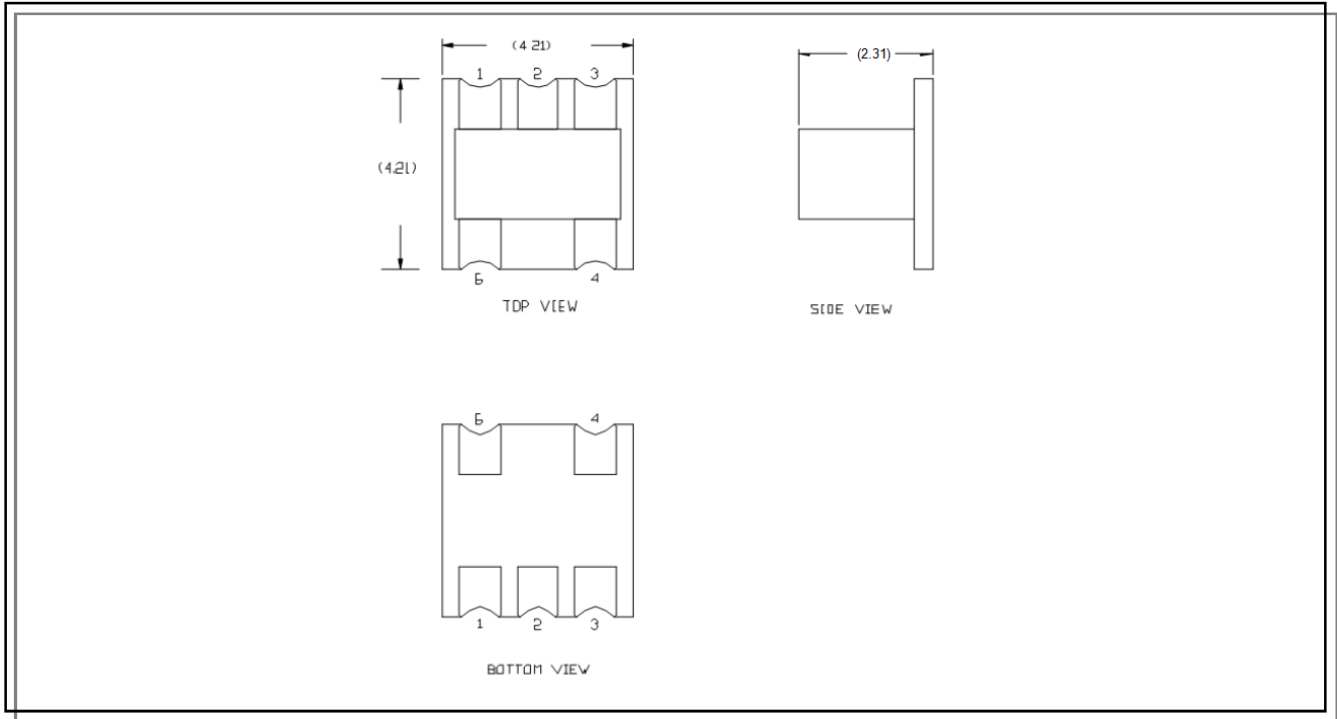
Transformer, 1:1.33
5 MHz - 1200 MHz

V1

Electrical Specifications: $Z_0 = 75\Omega$, $T_A = 25^\circ\text{C}$, $P_{in} = 0\text{dBm}$

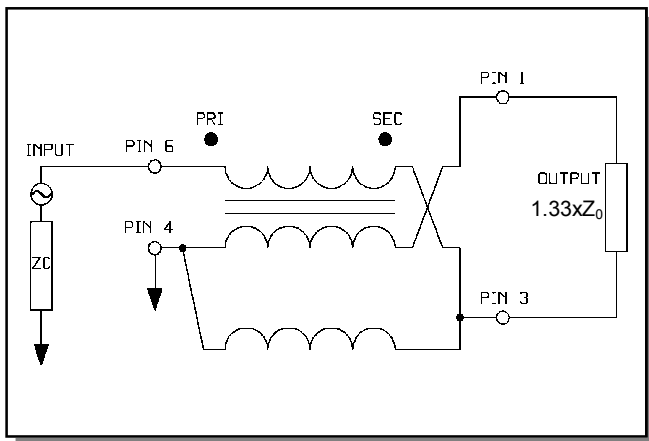


Outline Drawing

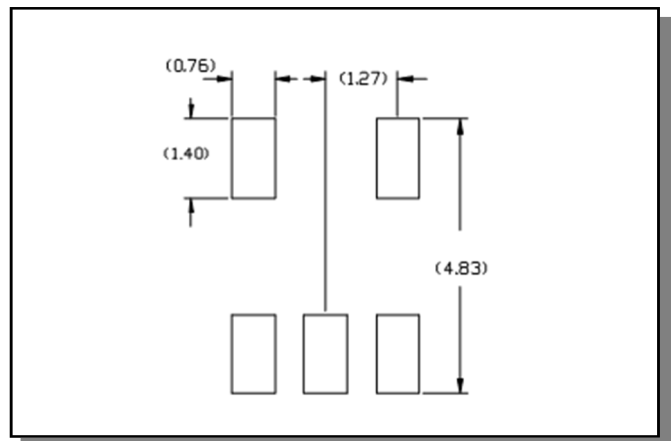


1. Dimensions in mm.
2. Tolerance: $\pm 0.2\text{mm}$ unless otherwise noted.
3. Model number and lot code printed on reel.
4. Plating finish: ENIG

Application Circuit



Recommended Footprint



Tape & Reel Information

Parameter	Units	Value
Qty per reel	-	2000
Reel size	mm	330
Tape width (W)	mm	12.00
Pitch (P ₁)	mm	8.00
A ₀	mm	4.50
B ₀	mm	4.50
K ₀	mm	2.73
Orientation	-	F31
Reference Application note ANI-019 for orientation		

Ordering Information

Part Number	Description
MABA-011051	Tape & Reel
MABA-011051-TB	Customer Evaluation Board

Recommended Maximum Ratings

Parameter	Units	Min	Max
Input Power	mW		250
DC Current	mA		200
Operating Temperature Range	°C	-40	+85

Temperature data available on request