

MABA-011020

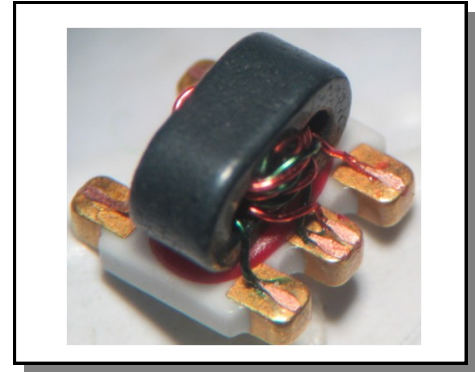


E-Series RF 1:4 Flux Coupled Step-up Transformer
1MHz - 350MHz

Rev. V1

Features

- Surface mount
- Wide frequency range
- 1:4 Impedance ratio
- Centre tap on secondary
- RoHS compliant, Lead free
- Available on tape and reel



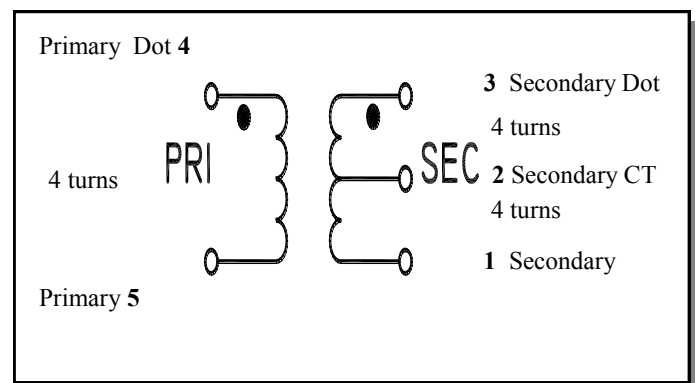
Electrical Specifications: $Z_0 = 50\Omega$, $T_A = 25^\circ\text{C}$, $P_{in} = 0\text{dBm}$

Parameter	Conditions	Units	Min	Typ	Max
Frequency Range		MHz	1		350
Impedance		Ω		50	
Impedance Ratio				1:4	
Insertion Loss	5 - 100 MHz	dB	-	0.5	1.0
	2 - 300 MHz	dB	-	0.9	2.0
	1 - 350 MHz	dB	-	0.8	3.0
Amplitude Balance	5 - 100 MHz	dB	-	0.0	± 0.1
	1 - 350 MHz	dB	-	0.0	± 0.5
Phase Balance	5 - 100 MHz	$^\circ$	-	0.1	± 1.0
	1 - 350 MHz	$^\circ$	-	0.2	± 5.0

Pin Configuration

Pin No.	Function
1	Secondary
2	Secondary Centre Tap
3	Secondary Dot
4	Primary Dot
5	Primary

Schematic



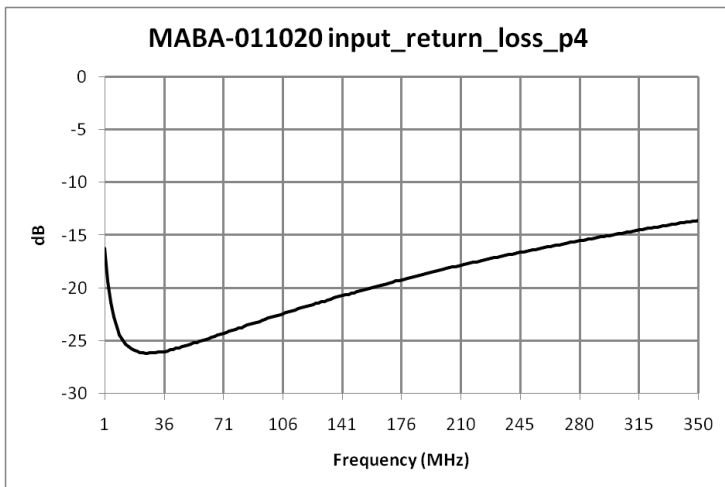
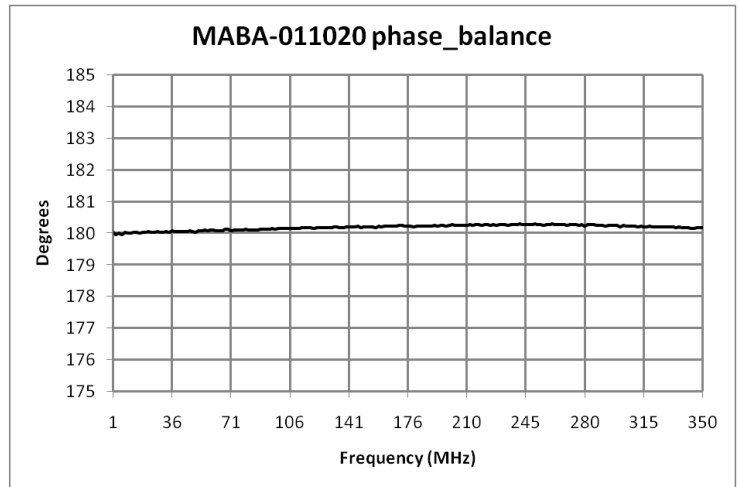
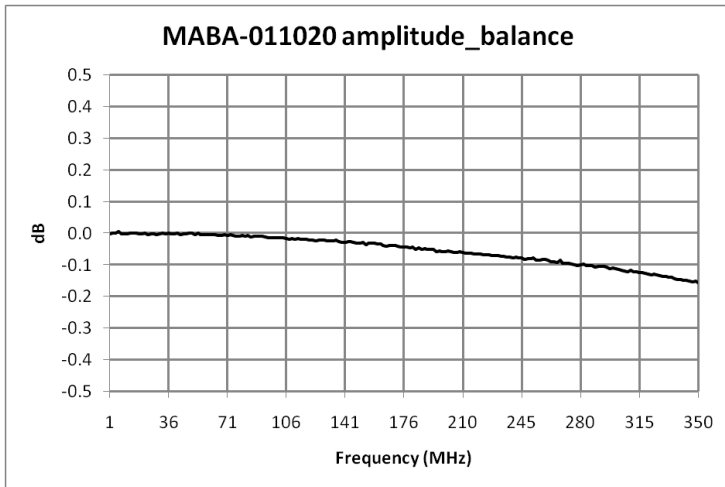
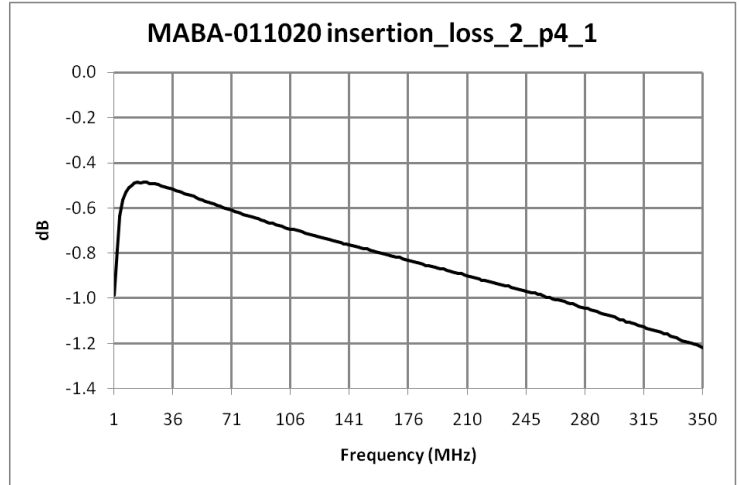
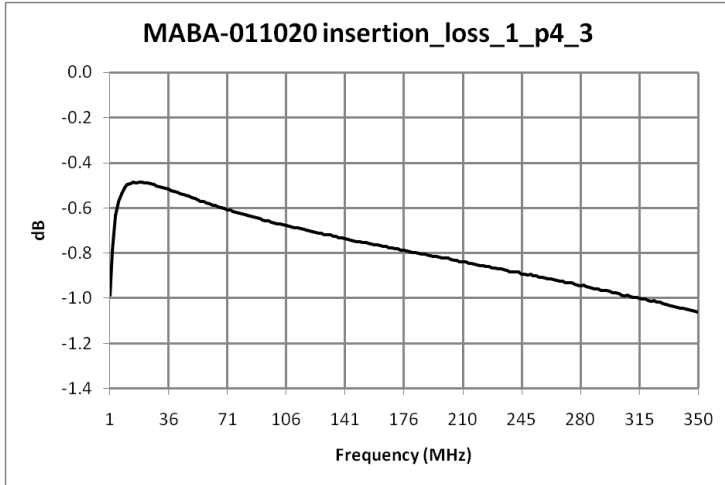
MABA-011020



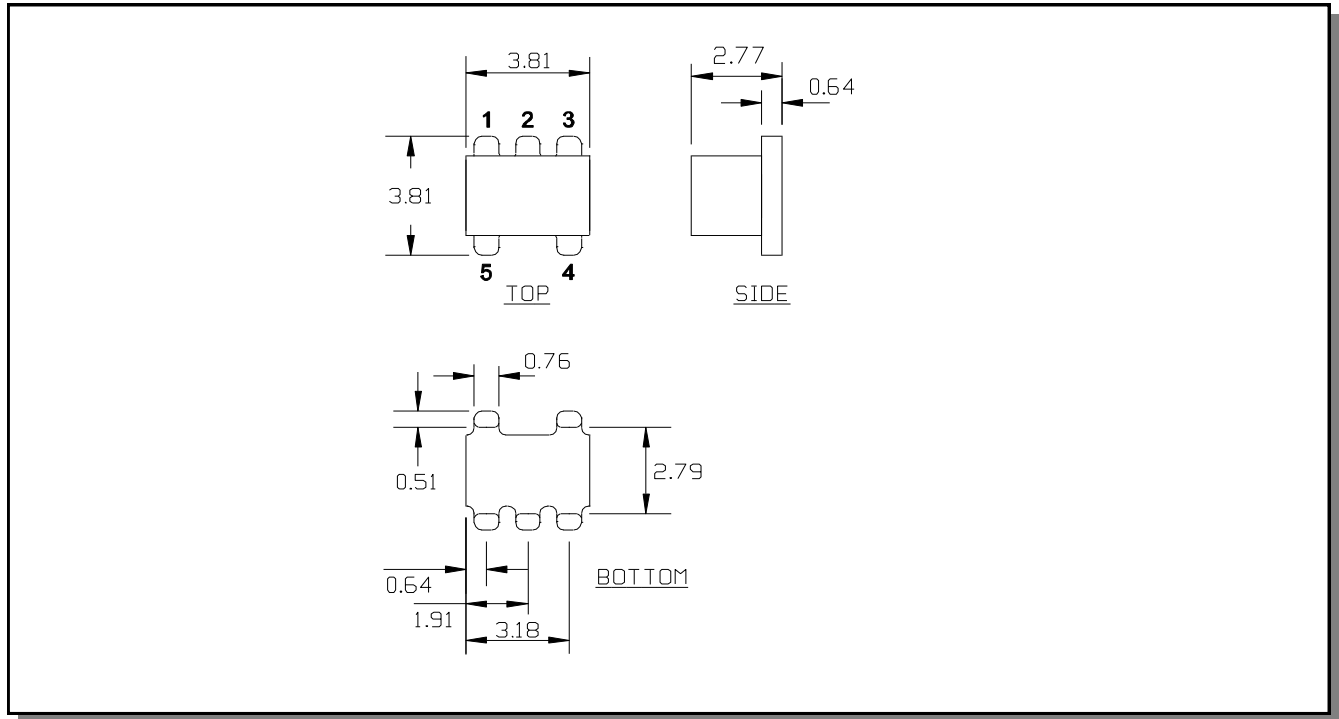
E-Series RF 1:4 Flux Coupled Step-up Transformer 1MHz - 350MHz

Rev. V1

Electrical Specifications: $Z_0 = 50\Omega$, $T_A = 25^\circ\text{C}$, $P_{in} = 0\text{dBm}$

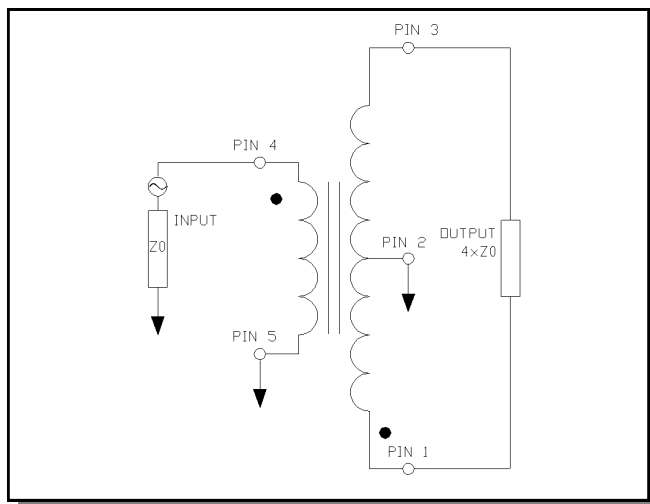


Outline Drawing

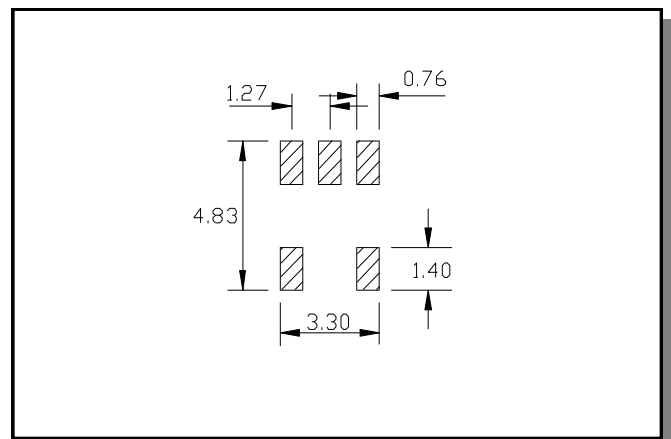


1. Dimensions in mm.
2. Tolerance: $\pm 0.2\text{mm}$ unless otherwise noted.
3. Model number and lot code printed on reel.
4. Plating finish: Au

Application Circuit



Recommended Footprint



Tape & Reel Information

Parameter	Units	Value
Qty per reel	-	2000
Reel size	mm	330
Tape width (W)	mm	12.0
Pitch (P ₁)	mm	8.0
A ₀	mm	4.0
B ₀	mm	4.0
K ₀	mm	2.9
Orientation	-	F5
Reference Application note ANI-019 for orientation		

Ordering Information

Part Number	Description
MABA-011020	Tape & Reel
MABA-011020-TB	Customer Evaluation Board

Recommended Maximum Ratings

Parameter	Units	Min	Max
DC Power	mW	-	250
DC Current	mA	-	30
Operating Temperature Range	°C	-40	+85

Temperature data available on request