

Features

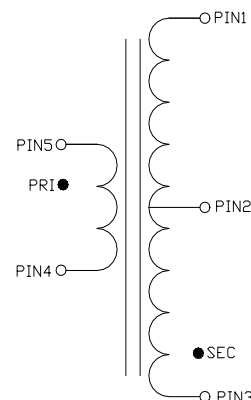
- 1:9 Impedance Ratio
- Surface Mount Package
- Excellent Temperature Stability
- Excellent Amplitude & Phase Balance
- Can Be Used In Both 50 Ω & 75 Ω Systems
- 260°C Reflow Compatible
- RoHS* Compliant & Lead Free
- Available on Tape & Reel

Description

The MABA-010181-CT9A40 is a 1:9 RF flux coupled transformer in a surface mount package.

Ideally suited for broadband CATV applications.

Schematic



Pin Configuration

Pin #	Function
1	Secondary
2	Secondary Centre Tap
3	Secondary Dot
4	Primary
5	Primary Dot

Electrical Specifications: $T_A = 25^\circ\text{C}$, $Z_0 = 75 \Omega$, $P_{IN} = 0 \text{ dBm}$

Parameter	Frequency (MHz)	Units	Min.	Typ.	Max.
Insertion Loss	5 - 90	dB	—	1.3	1.8
Amplitude Unbalance (Nominal 0 dB)	5 - 90	dB	—	0.1	± 0.3
Phase Unbalance (Nominal 180°)	5 - 90	°	—	0.2	± 2.0
Input Return Loss	5 - 90	dB	13	16	—
	50 - 90		10	13	

Ordering Information

Part #	Description
MABA-010181-CF9A40	2000 piece reel
MABA-010181-CF9ATB	customer test board

Recommended Maximum Ratings

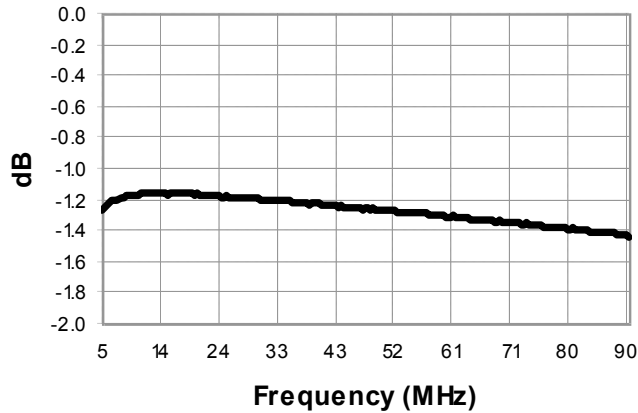
Parameter	Value
Input Power	>28 dBm (631 mW)
DC Current, (tested @ 5 V)	>600 mA
Operating Temperature	-40°C to +85°C
Storage Temperature	-55°C to +100°C

1:9 Flux Coupled Transformer 5 - 90 MHz

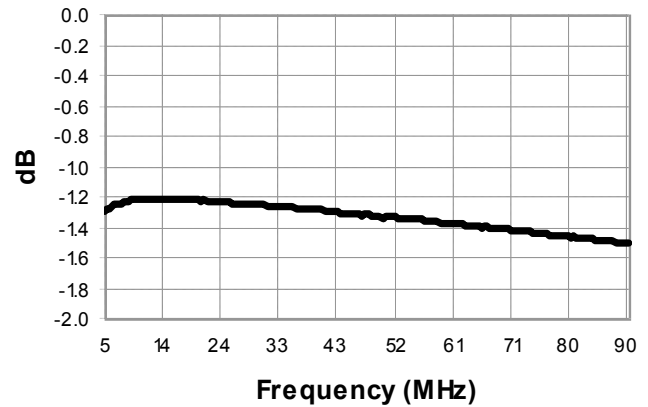
Rev. V3

Typical Performance Curves: $T_A = 25^\circ\text{C}$, $Z_0 = 75 \Omega$, $P_{IN} = 0 \text{ dBm}$

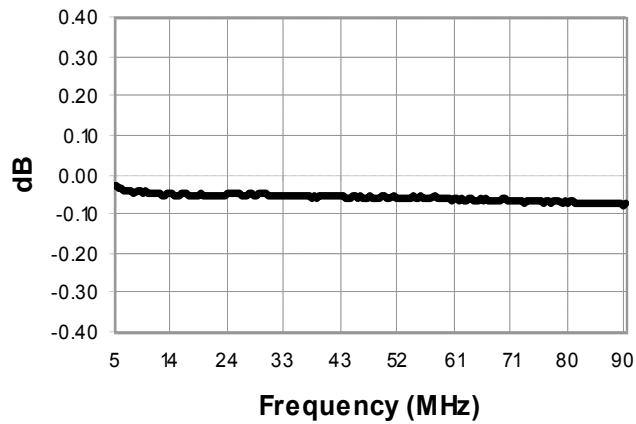
Insertion Loss 1: (Pin 5 to 3)



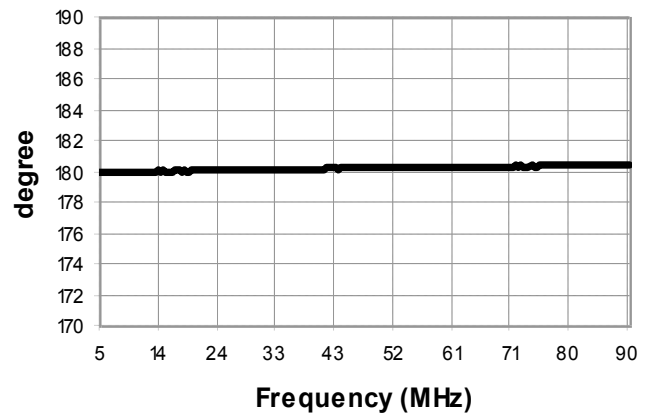
Insertion Loss 2: (Pin 5 to 1)



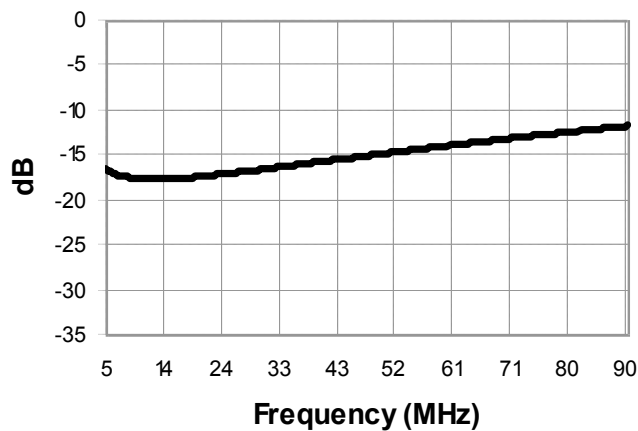
Amplitude Balance



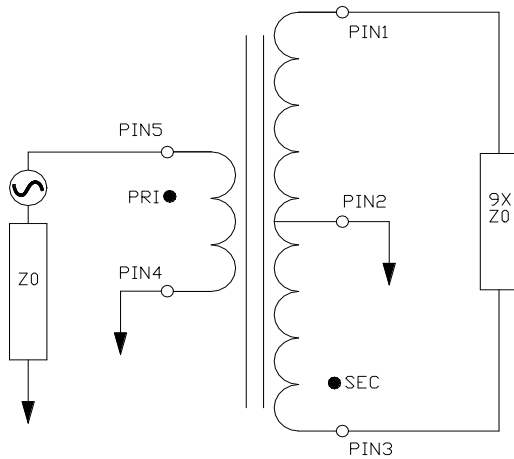
Phase Balance



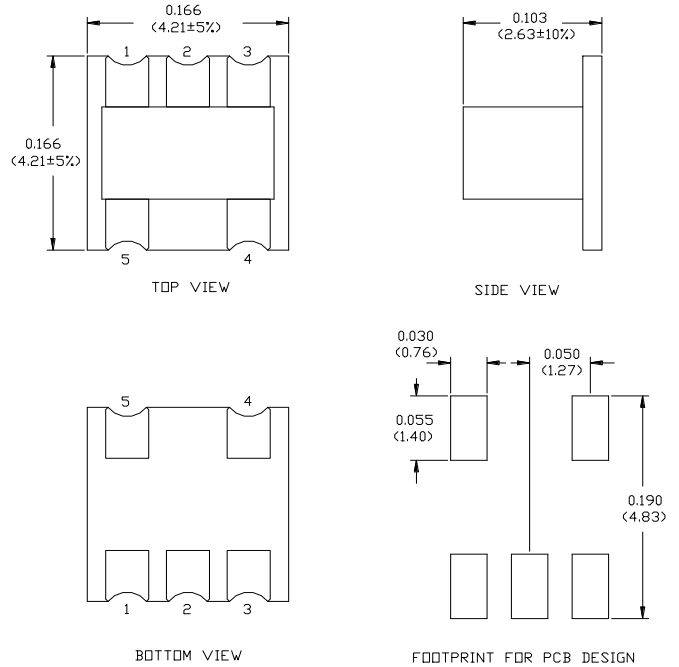
Return Loss: Input (Pin 5)



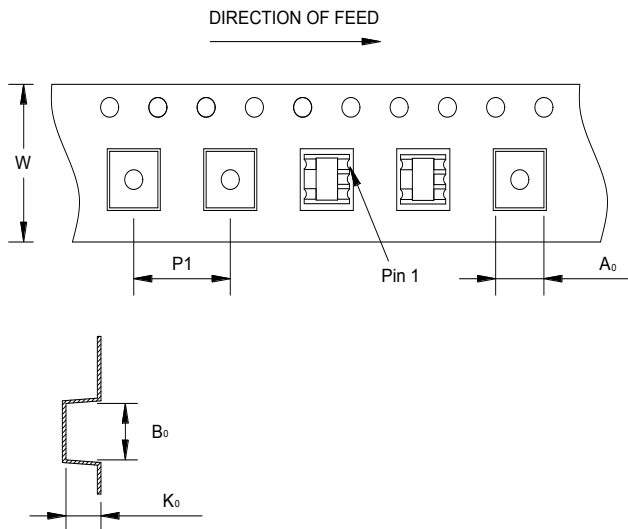
Application Circuit



Outline Drawing



Reel Orientation



Tape & Reel Information

Item	Dimension
Ao	4.50 mm, +/-0.1 mm
Bo	4.50 mm, +/-0.1 mm
Ko	2.73 mm, +/-0.1 mm
W	12.0 mm, +/-0.3 mm
P1	8.0 mm, +/-0.1 mm

MACOM Technology Solutions Inc. All rights reserved.

Information in this document is provided in connection with MACOM Technology Solutions Inc ("MACOM") products. These materials are provided by MACOM as a service to its customers and may be used for informational purposes only. Except as provided in MACOM's Terms and Conditions of Sale for such products or in any separate agreement related to this document, MACOM assumes no liability whatsoever. MACOM assumes no responsibility for errors or omissions in these materials. MACOM may make changes to specifications and product descriptions at any time, without notice. MACOM makes no commitment to update the information and shall have no responsibility whatsoever for conflicts or incompatibilities arising from future changes to its specifications and product descriptions. No license, express or implied, by estoppel or otherwise, to any intellectual property rights is granted by this document.

THESE MATERIALS ARE PROVIDED "AS IS" WITHOUT WARRANTY OF ANY KIND, EITHER EXPRESS OR IMPLIED, RELATING TO SALE AND/OR USE OF MACOM PRODUCTS INCLUDING LIABILITY OR WARRANTIES RELATING TO FITNESS FOR A PARTICULAR PURPOSE, CONSEQUENTIAL OR INCIDENTAL DAMAGES, MERCHANTABILITY, OR INFRINGEMENT OF ANY PATENT, COPYRIGHT OR OTHER INTELLECTUAL PROPERTY RIGHT. MACOM FURTHER DOES NOT WARRANT THE ACCURACY OR COMPLETENESS OF THE INFORMATION, TEXT, GRAPHICS OR OTHER ITEMS CONTAINED WITHIN THESE MATERIALS. MACOM SHALL NOT BE LIABLE FOR ANY SPECIAL, INDIRECT, INCIDENTAL, OR CONSEQUENTIAL DAMAGES, INCLUDING WITHOUT LIMITATION, LOST REVENUES OR LOST PROFITS, WHICH MAY RESULT FROM THE USE OF THESE MATERIALS.

MACOM products are not intended for use in medical, lifesaving or life sustaining applications. MACOM customers using or selling MACOM products for use in such applications do so at their own risk and agree to fully indemnify MACOM for any damages resulting from such improper use or sale.