

Features

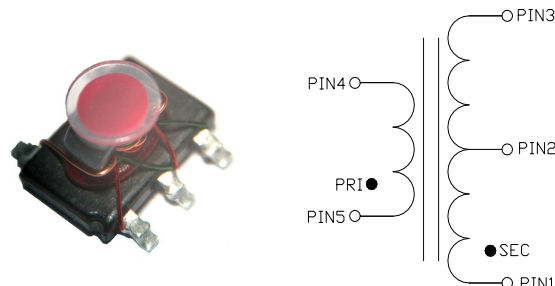
- 1:4 Impedance Ratio
- Surface Mount Package
- Centre tap on Secondary
- 260°C Reflow Compatible
- RoHS* Compliant and Lead Free
- Available on Tape & Reel

Description

The MABA-010061-CF4FA0 is a 1:4 RF flux coupled transformer in a surface mount package.

Ideally suited for broadband CATV applications.

Schematic



Pin Configuration

Pin #	Function
1	Secondary dot
2	Secondary Centre Tap
3	Secondary
4	Primary
5	Primary Dot

Electrical Specifications: $T_A = 25^\circ\text{C}$, $Z_0 = 75 \Omega$, $P_{IN} = 0 \text{ dBm}$

Parameter	Frequency	Units	Min	Typ	Max
Insertion Loss	5 - 100 MHz	dB	—	1.22	1.5
Amplitude Unbalance (Nominal 0 dB)	5 - 100 MHz	dB	—	0.01	± 0.1
Phase Unbalance (Nominal 180°)	5 - 100 MHz	°	—	0.05	± 1.0
Input Return Loss	5 - 65 MHz 65 - 200 MHz	dB	15 16	19 18	—

Ordering Information

Part #	Description
MABA-010061-CF4FA0	900 piece reel
MABA-010061-CF4FTB	customer test board

Recommended Maximum Ratings

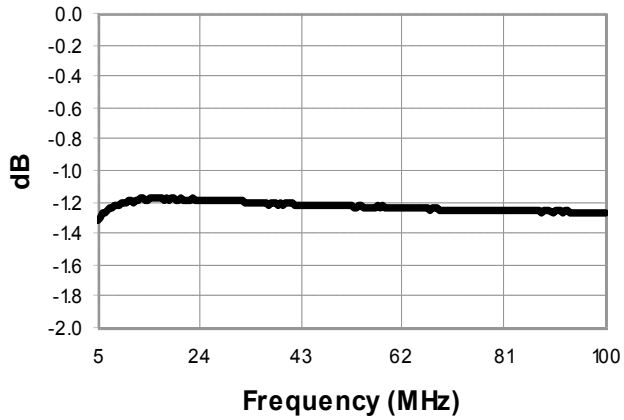
Parameter	Value
Input power	$>+28 \text{ dBm}$ (631 mW)
DC current, (tested @ 5 V)	$>600 \text{ mA}$
Operating Temperature	-40°C to $+85^\circ\text{C}$
Storage Temperature	-55°C to $+100^\circ\text{C}$

1:4 Flux Coupled Transformer 5 - 100 MHz

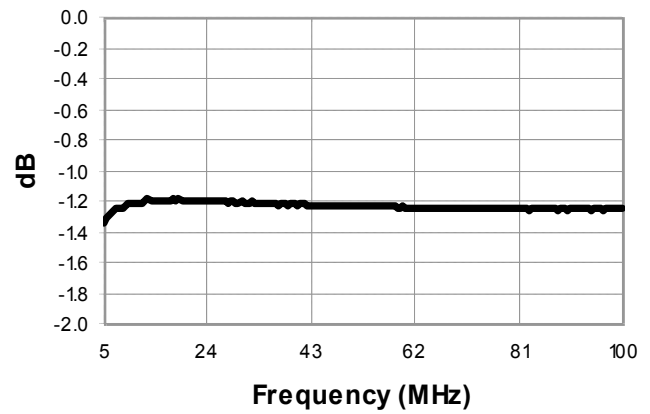
Rev. V2

Typical Performance Curves: $T_A = 25^\circ\text{C}$, $Z_0 = 75 \Omega$, $P_{IN} = 0 \text{ dBm}$

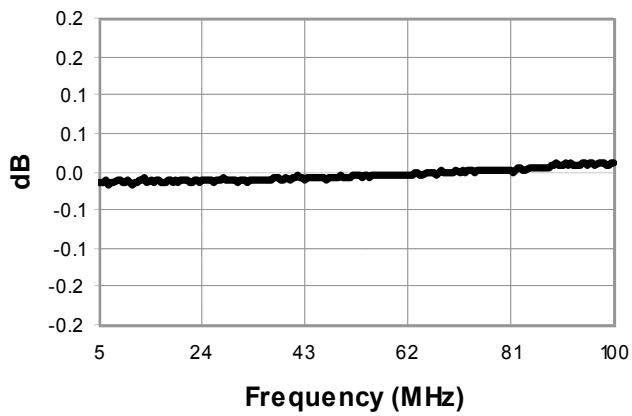
Insertion Loss 1: (Pin 5 to 1)



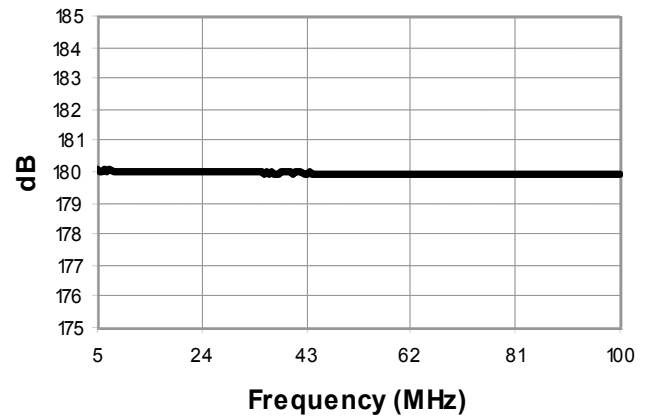
Insertion Loss 2: (Pin 5 to 3)



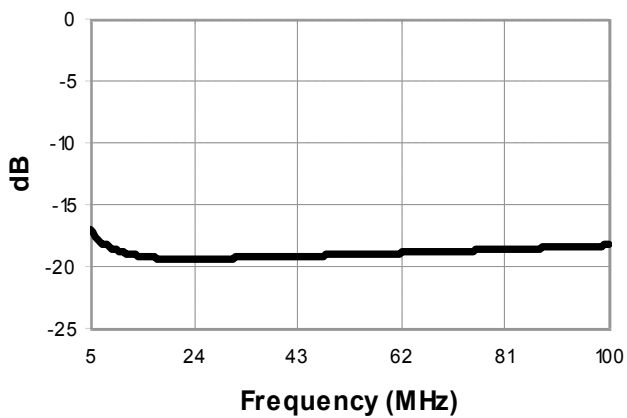
Amplitude Balance



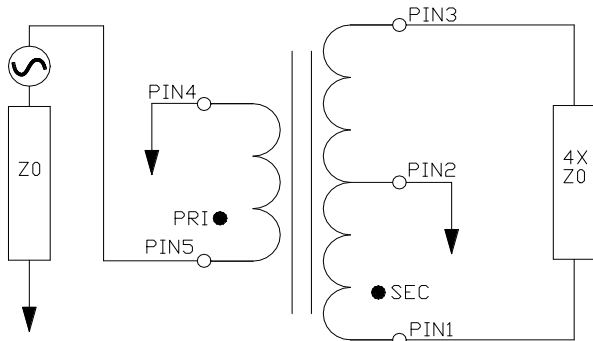
Phase Balance



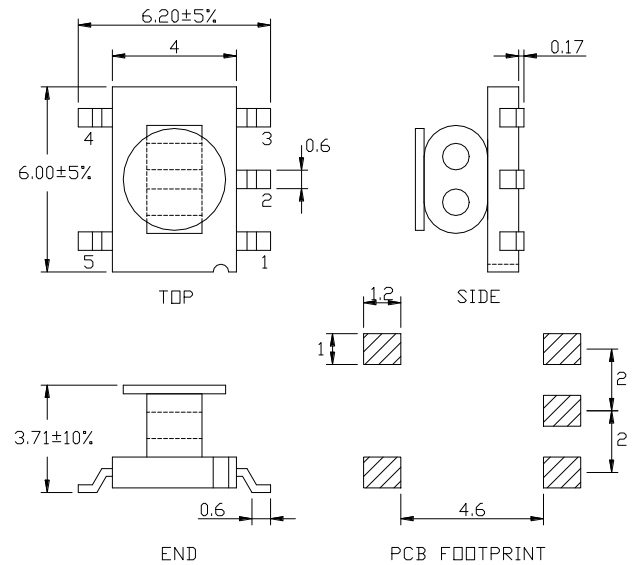
Return Loss: Input (Pin 5)



Application Circuit

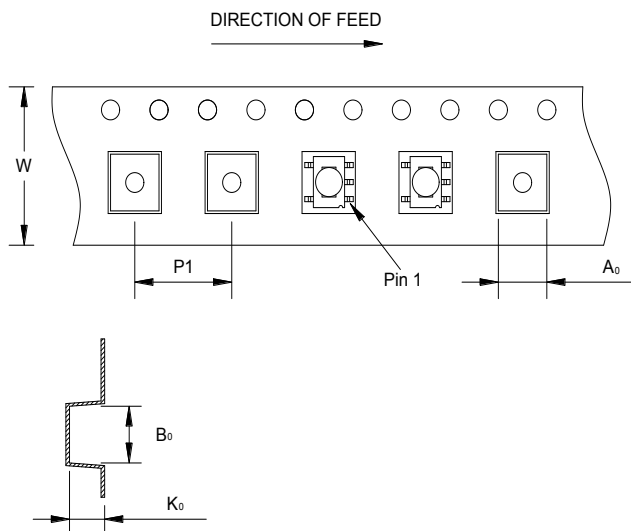


Outline Drawing



Dimensions in inches [mm] Tolerance: .xx ± .02, .xxx ± .010, unless otherwise stated

Reel Orientation



Tape & Reel Information

Item	Dimension
Ao	6.6 mm, +/-0.1 mm
Bo	6.2 mm, +/-0.1 mm
Ko	4.2 mm, +/-0.1 mm
W	16.0 mm, +/-0.3 mm
P1	8.0 mm, +/-0.1 mm

MACOM Technology Solutions Inc. All rights reserved.

Information in this document is provided in connection with MACOM Technology Solutions Inc ("MACOM") products. These materials are provided by MACOM as a service to its customers and may be used for informational purposes only. Except as provided in MACOM's Terms and Conditions of Sale for such products or in any separate agreement related to this document, MACOM assumes no liability whatsoever. MACOM assumes no responsibility for errors or omissions in these materials. MACOM may make changes to specifications and product descriptions at any time, without notice. MACOM makes no commitment to update the information and shall have no responsibility whatsoever for conflicts or incompatibilities arising from future changes to its specifications and product descriptions. No license, express or implied, by estoppel or otherwise, to any intellectual property rights is granted by this document.

THESE MATERIALS ARE PROVIDED "AS IS" WITHOUT WARRANTY OF ANY KIND, EITHER EXPRESS OR IMPLIED, RELATING TO SALE AND/OR USE OF MACOM PRODUCTS INCLUDING LIABILITY OR WARRANTIES RELATING TO FITNESS FOR A PARTICULAR PURPOSE, CONSEQUENTIAL OR INCIDENTAL DAMAGES, MERCHANTABILITY, OR INFRINGEMENT OF ANY PATENT, COPYRIGHT OR OTHER INTELLECTUAL PROPERTY RIGHT. MACOM FURTHER DOES NOT WARRANT THE ACCURACY OR COMPLETENESS OF THE INFORMATION, TEXT, GRAPHICS OR OTHER ITEMS CONTAINED WITHIN THESE MATERIALS. MACOM SHALL NOT BE LIABLE FOR ANY SPECIAL, INDIRECT, INCIDENTAL, OR CONSEQUENTIAL DAMAGES, INCLUDING WITHOUT LIMITATION, LOST REVENUES OR LOST PROFITS, WHICH MAY RESULT FROM THE USE OF THESE MATERIALS.

MACOM products are not intended for use in medical, lifesaving or life sustaining applications. MACOM customers using or selling MACOM products for use in such applications do so at their own risk and agree to fully indemnify MACOM for any damages resulting from such improper use or sale.