

Features

- Positive Single Control
- 2-dB Attenuation Steps to 30 dB
- Low DC Power Consumption
- Lead-Free TSSOP-16 Plastic Package
- 100% Matte Tin Plating over Copper
- Halogen-Free “Green” Mold Compound
- 260°C Re-flow Compatible
- RoHS* Compliant Version of AT-264

Description

The MAATSS0016 is a 4-bit, 2-dB step GaAs MMIC digital attenuator in a lead-free TSSOP-16 surface mount plastic package.

This attenuator is ideally suited for use where high accuracy, very low power consumption and low intermodulation products are required. Typical applications include radio, cellular, wireless LANs, GPS equipment and other gain/level control circuits.

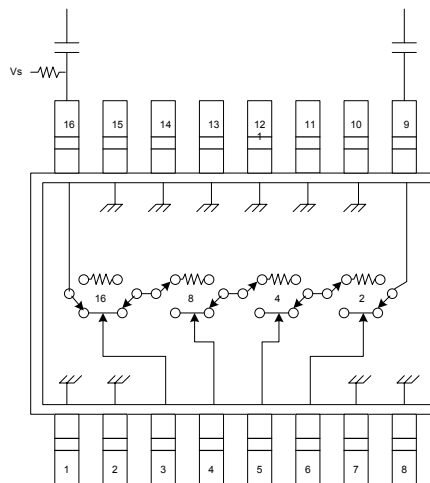
The MAATSS0016 is fabricated using a mature 1 micron GaAs MESFET process. The process features full chip passivation for increased performance and reliability.

Ordering Information¹

Part Number	Package
MAATSS0016	Bulk Packaging
MAATSS0016TR	1000 piece reel

1. Reference Application Note M513 for reel size information.

Functional Schematic^{2,3}



2. Blocking capacitors are required on all RF ports (39 pF used for data measurements).
3. $V_s = +5 \pm 0.2$ VDC must be applied at RF1 or RF2 using a 10 k Ω or greater pull-up resistor.

Pin Configuration

Pin No.	Function	Pin No.	Function
1	Ground	9	RF2
2	Ground	10	Ground
3	VC1	11	Ground
4	VC2	12	Ground
5	VC3	13	Ground
6	VC4	14	Ground
7	Ground	15	Ground
8	Ground	16	RF1

* Restrictions on Hazardous Substances, European Union Directive 2011/65/EU.

Digital Attenuator, 4-Bit, Single Control 30 dB, 0.5 - 2.0 GHz

Rev. V4

Electrical Specifications⁴: $T_A = 25^\circ\text{C}$, $Z_0 = 50 \Omega$, $V_S = 5 \text{ V}$

Parameter	Test Conditions	Units	Min.	Typ.	Max.
Reference Insertion Loss	0.5 - 1.0 GHz 0.5 - 2.0 GHz	dB	—	2.0 2.2	2.4 2.7
Attenuation Accuracy	0.5 - 1.0 GHz 0.5 - 2.0 GHz	± (0.15 dB + 5% of attenuation setting in dB) dB ± (0.3 dB + 5% of attenuation setting in dB) dB			
VSWR	1.0 - 1.5 GHz 0.5 - 2.0 GHz	Ratio	—	1.5:1 1.9:1	—
T_{RISE} , T_{FALL}	10% to 90% RF, 90% to 10% RF	ns	—	200	—
T_{ON} , T_{OFF}	50% Control to 90% RF, 50% Control to 10% RF	ns	—	200	—
Transients	In Band	mV	—	75	—
1 dB Compression	Input Power, 0.5 GHz Input Power, 0.9 GHz	dBm	—	25 25	—
IP_2	0.5 GHz 0.5 - 2.0 GHz Measured Relative to Input (for two-tone Input Power up to +5 dBm)	dBm	—	65 71	—
IP_3	0.5 GHz 0.5 - 2.0 GHz Measured Relative to Input (for two-tone Input Power up to +5 dBm)	dBm	—	43 47	—
I_C	$ V_C = 5 \text{ V}$	μA	—	—	10
I_{VS}	—	μA	—	—	20

4. External DC blocking capacitors are required on all RF ports. Loss varies at 0.003 dB/°C.

Absolute Maximum Ratings^{5,6}

Parameter	Absolute Maximum
Input Power 50 MHz 500 - 2000 MHz	27 dBm 34 dBm
Control Voltage	$-0.5 \text{ V} \leq V_C \leq 8.5 \text{ V}$
Operating Temperature	-40°C to $+85^\circ\text{C}$
Storage Temperature	-65°C to $+150^\circ\text{C}$

- Exceeding any one or combination of these limits may cause permanent damage to this device.
- MACOM does not recommend sustained operation near these survivability limits.

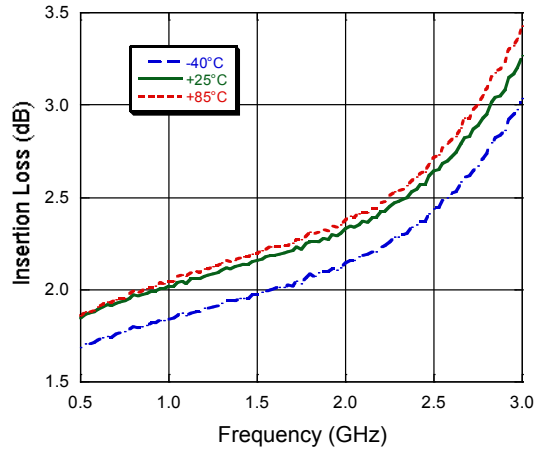
Truth Table⁷

VC1	VC2	VC3	VC4	Attenuation (dB)
1	1	1	1	Reference Insertion Loss
1	1	1	0	2
1	1	0	1	4
1	0	1	1	8
0	1	1	1	16
0	0	0	0	30

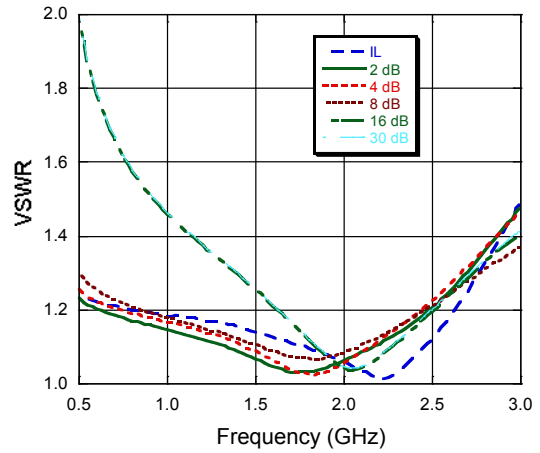
7. 0 = 0 ± 0.2 V, 1 = +5 V

Typical Performance Curves

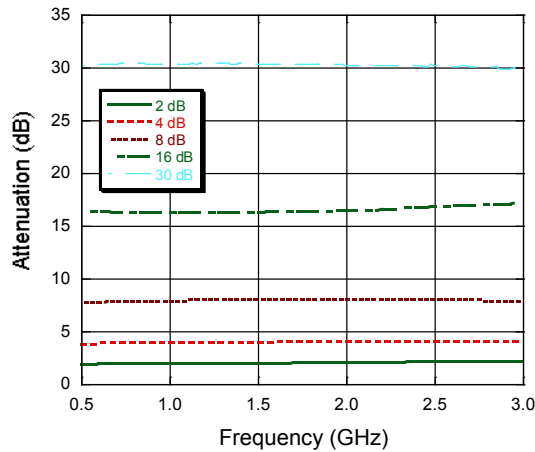
Insertion Loss



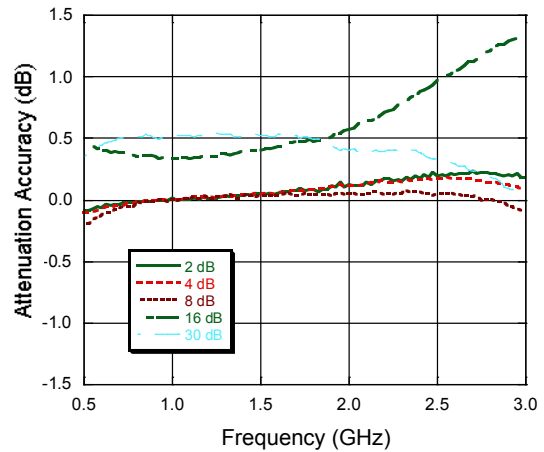
VSWR



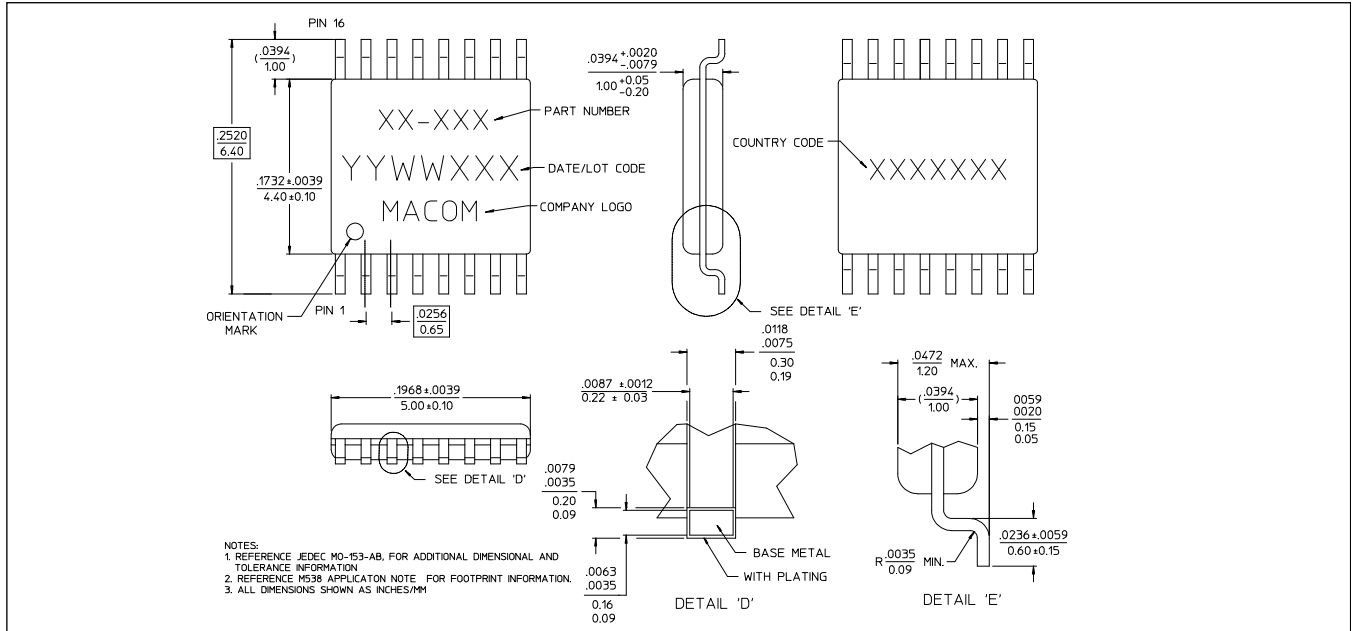
Attenuation



Attenuation Accuracy



Lead-Free TSSOP-16†



† Reference Application Note M538 for lead-free solder reflow recommendations.
 Meets JEDEC moisture sensitivity level 1 requirements

Handling Procedures

Please observe the following precautions to avoid damage:

Static Sensitivity

Gallium Arsenide Integrated Circuits are sensitive to electrostatic discharge (ESD) and can be damaged by static electricity. Proper ESD control techniques should be used when handling these devices.

M/A-COM Technology Solutions Inc. All rights reserved.

Information in this document is provided in connection with M/A-COM Technology Solutions Inc ("MACOM") products. These materials are provided by MACOM as a service to its customers and may be used for informational purposes only. Except as provided in MACOM's Terms and Conditions of Sale for such products or in any separate agreement related to this document, MACOM assumes no liability whatsoever. MACOM assumes no responsibility for errors or omissions in these materials. MACOM may make changes to specifications and product descriptions at any time, without notice. MACOM makes no commitment to update the information and shall have no responsibility whatsoever for conflicts or incompatibilities arising from future changes to its specifications and product descriptions. No license, express or implied, by estoppel or otherwise, to any intellectual property rights is granted by this document.

THESE MATERIALS ARE PROVIDED "AS IS" WITHOUT WARRANTY OF ANY KIND, EITHER EXPRESS OR IMPLIED, RELATING TO SALE AND/OR USE OF MACOM PRODUCTS INCLUDING LIABILITY OR WARRANTIES RELATING TO FITNESS FOR A PARTICULAR PURPOSE, CONSEQUENTIAL OR INCIDENTAL DAMAGES, MERCHANTABILITY, OR INFRINGEMENT OF ANY PATENT, COPYRIGHT OR OTHER INTELLECTUAL PROPERTY RIGHT. MACOM FURTHER DOES NOT WARRANT THE ACCURACY OR COMPLETENESS OF THE INFORMATION, TEXT, GRAPHICS OR OTHER ITEMS CONTAINED WITHIN THESE MATERIALS. MACOM SHALL NOT BE LIABLE FOR ANY SPECIAL, INDIRECT, INCIDENTAL, OR CONSEQUENTIAL DAMAGES, INCLUDING WITHOUT LIMITATION, LOST REVENUES OR LOST PROFITS, WHICH MAY RESULT FROM THE USE OF THESE MATERIALS.

MACOM products are not intended for use in medical, lifesaving or life sustaining applications. MACOM customers using or selling MACOM products for use in such applications do so at their own risk and agree to fully indemnify MACOM for any damages resulting from such improper use or sale.