

# 0.25 W Ka-Band Amplifier 27 - 31.5 GHz



**MAAP-011340-DIE**  
Rev. V1

## Features

- 24 dB Gain
- 33 dBm Output IP3
- 24 dBm P1dB
- 25 dBm P3dB
- 5.5 V Drain Supply
- Bare Die
- RoHS\* Compliant

## Applications

- Ka-band Satellite Communication

## Description

The MAAP-011340-DIE is a 1/4 W Ka-band amplifier. The amplifier has a 24 dBm typical P1dB and a 25 dBm typical P3dB with 24 dB of gain. The typical OIP3 is 33 dBm. The drain bias supply is 5.5 V. The gate voltage is adjusted to set the drain current to 275 mA.

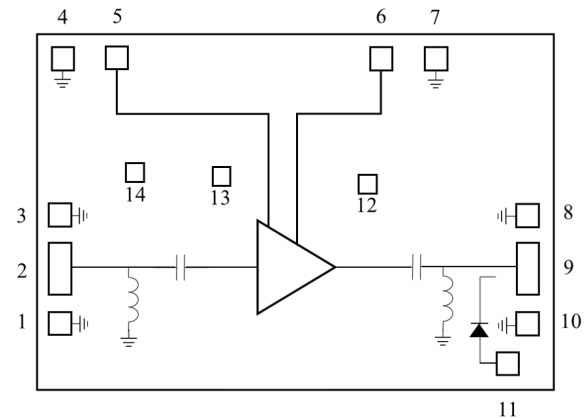
Die size with power detector is 1.430 mm x 0.985 mm x 0.050 mm.

## Ordering Information

Part Number	Package
MAAP-011340-DIE	Gel Pack <sup>1</sup>
MAAP-011340-DIESMB	Sample Board

1. Die quantity varies.

## Block Diagram



## Pad Configuration<sup>2,3,4</sup>

Pad #	Pad Name	Description
1, 3, 4, 7, 8, 10	GND	Ground
2	RF <sub>IN</sub>	RF Input
5	V <sub>GG</sub>	Gate Voltage
6	V <sub>DD</sub>	Drain Voltage
9	RF <sub>OUT</sub>	RF Output
11	V <sub>DET</sub>	Detector Output Voltage
12 - 14	NC	No Connection

2. Pads 1, 3, 8, and 10 are connected to ground on the die through backside vias. Bonds from these ground pads to ground on the application PCB are recommended to form a coplanar transition for improved return losses.
3. Pads 4, 7, 12, 13, and 14 are bond pads for DC screening only in production test environment.
4. The backside of the die must be connected to RF, DC, and thermal ground.

\* Restrictions on Hazardous Substances, compliant to current RoHS EU directive.

# 0.25 W Ka-Band Amplifier

## 27 - 31.5 GHz



MAAP-011340-DIE

Rev. V1

### Electrical Specifications:

$V_{DD} = +5.5 \text{ V}$ ,  $I_{DQ} = 275 \text{ mA}$ ,  $T_A = 25^\circ\text{C}$ ,  $Z_0 = 50 \Omega$  (All data is GSG probed)

Parameter	Test Conditions	Units	Min.	Typ.	Max.
Gain	27 - 31.5 GHz	dB	22	24	—
Gain Flatness	27 - 31.5 GHz	dB	—	$\pm 0.7$	—
Input Return Loss	27 - 31.5 GHz	dB	—	12	—
Output Return Loss	27 - 31.5 GHz	dB	—	20	—
P1dB	27 - 31.5 GHz	dBm	—	24	—
$P_{OUT}$	27 GHz, $P_{IN} = 4.2 \text{ dBm}$ 31.5 GHz, $P_{IN} = 3.1 \text{ dBm}$	dBm	25 23.5	26 25	—
OIP3	27 - 31.5 GHz, $P_{OUT} = 16 \text{ dBm}$ per tone with 10 MHz spacing	dBm	—	33	—
Noise Figure	27 - 31.5 GHz	dB	—	5.9	—
$V_{DET}$	0 dBm Output Power 24 dBm Output Power	V	— 1.4	0.6 1.7	— 2.1
$V_{GG}$	Small signal	V	—	-0.68	—
$I_{GG}$	Small signal P3dB	mA	—	-0.7 -0.8	—
$I_{DD}$	P1dB P3dB	mA	—	300 320	—

### Maximum Operating Conditions

Parameter	Maximum
RF Input Power	5 dBm
$V_{DD}$	+6 V
$V_{GG}$	-3 to 0 V
Junction Temperature <sup>5,6</sup>	+160°C
Operating Temperature	-40°C to +85°C

5. Operating at nominal conditions with  $T_J \leq +160^\circ\text{C}$  will ensure  $MTTF > 1 \times 10^6$  hours.

6. Junction Temp. ( $T_J$ ) =  $T_C + \Theta_{jc} * ((V * I) - (P_{OUT} - P_{IN}))$ .  
Typical thermal resistance ( $\Theta_{jc}$ ) = 42°C/W.

a) For  $T_C = +85^\circ\text{C}$ ,  
 $T_J = 148.5^\circ\text{C} @ 5.5 \text{ V}, 275 \text{ mA}$

### Absolute Maximum Ratings<sup>7,8</sup>

Parameter	Absolute Maximum
RF Input Power	8 dBm
$V_{DD}$	+6.5 V
$V_{GG}$	-5 to 0 V
Junction Temperature <sup>9</sup>	+175°C
Storage Temperature	-65°C to +125°C

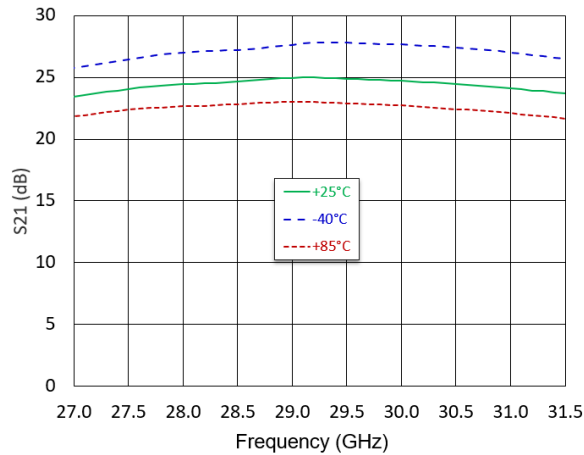
7. Exceeding any one or combination of these limits may cause permanent damage to this device.

8. MACOM does not recommend sustained operation near these survivability limits.

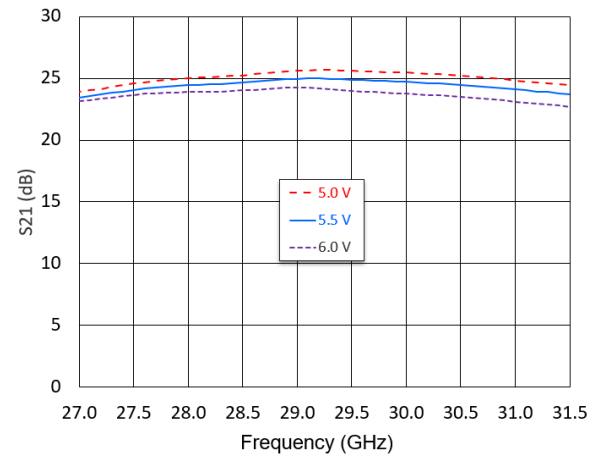
9. Junction temperature directly effects device MTTF. Junction temperature should be kept as low as possible to maximize lifetime.

## Typical Performance Curves:

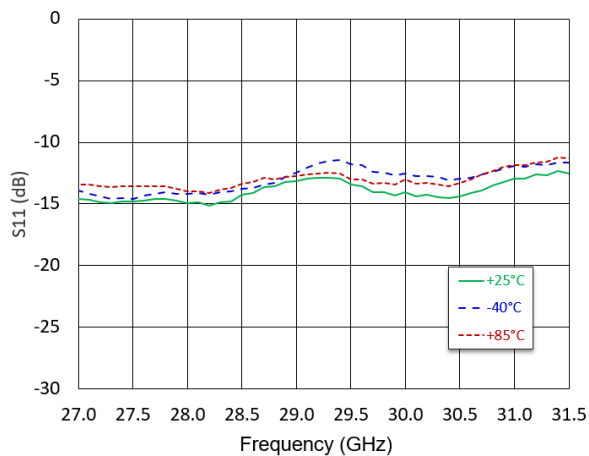
**Small Signal Gain vs. Frequency over Temperature**



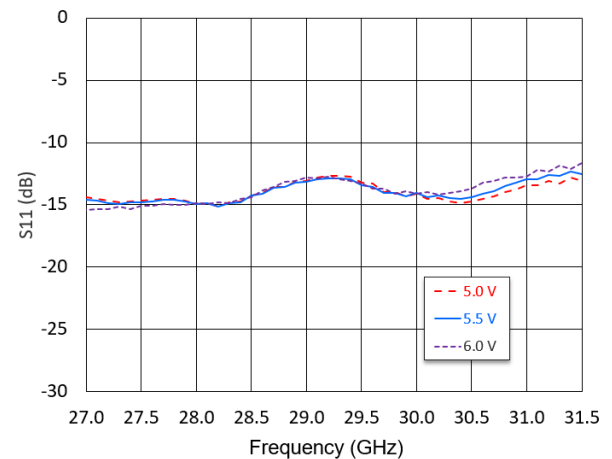
**Small Signal Gain vs. Frequency over Bias Voltage**



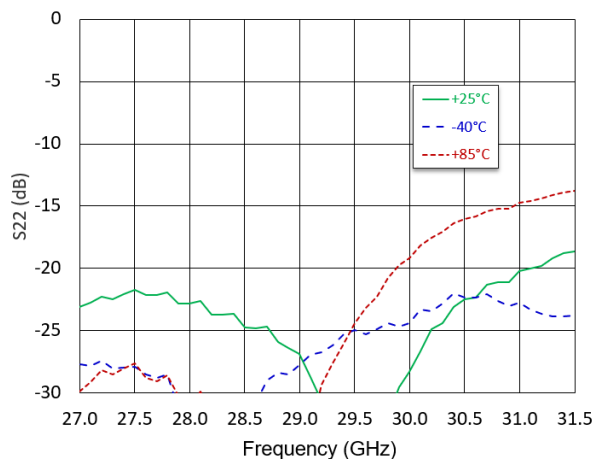
**Input Return Loss vs. Frequency over Temperature**



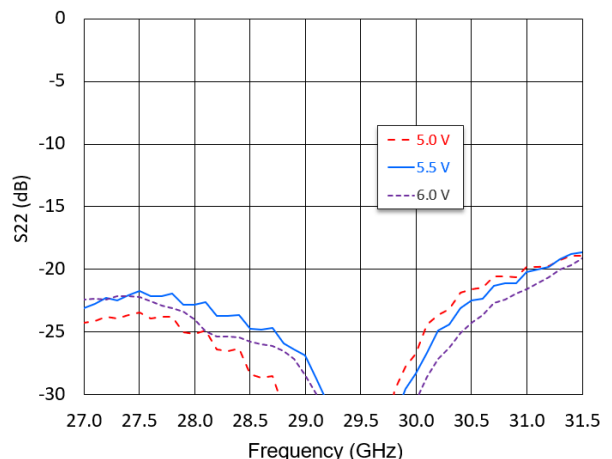
**Input Return Loss vs. Frequency over Bias Voltage**



**Output Return Loss vs. Frequency over Temperature**



**Output Return Loss vs. Frequency over Bias Voltage**



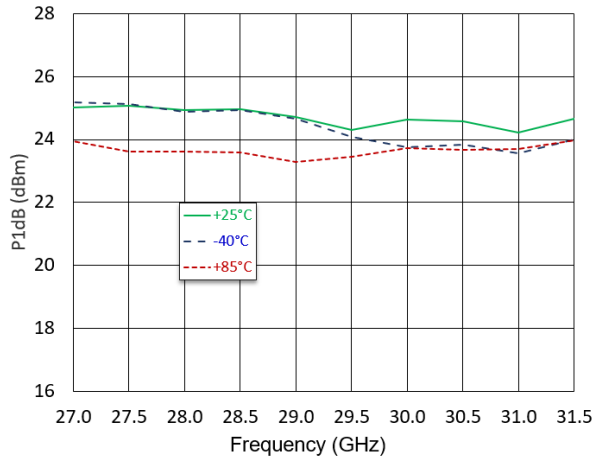
# 0.25 W Ka-Band Amplifier 27 - 31.5 GHz



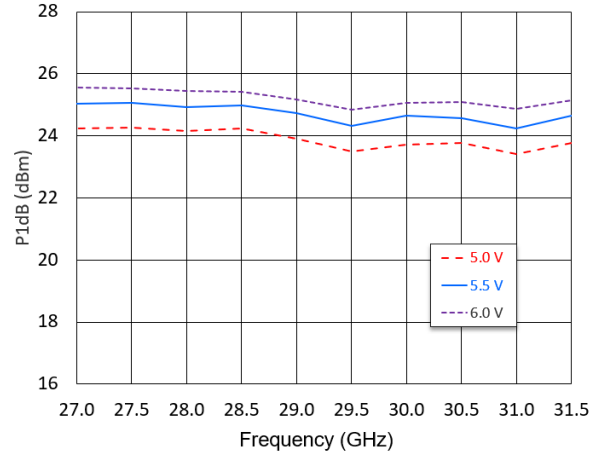
MAAP-011340-DIE  
Rev. V1

## Typical Performance Curves:

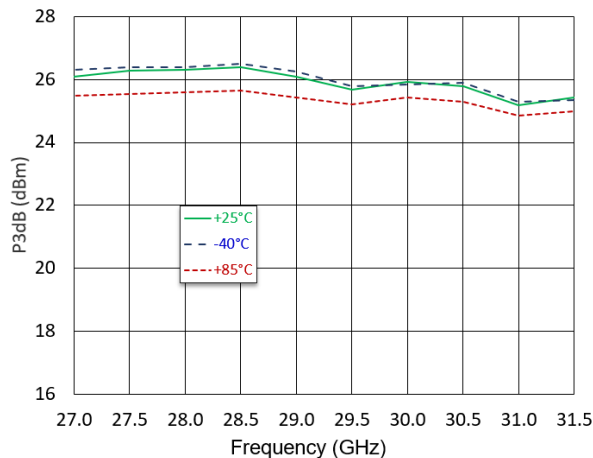
**P1dB vs. Frequency over Temperature**



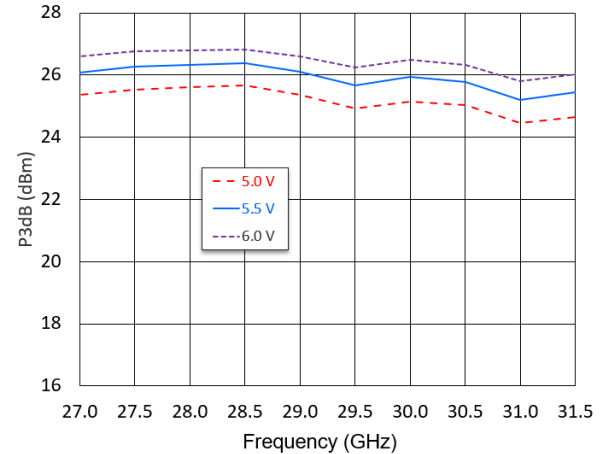
**P1dB vs. Frequency over Bias Voltage**



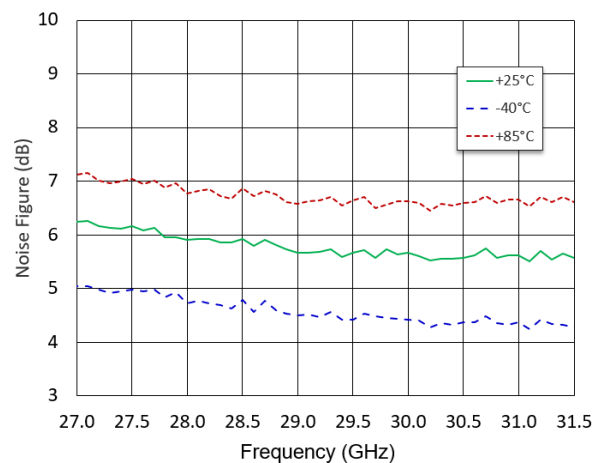
**P3dB vs. Frequency over Temperature**



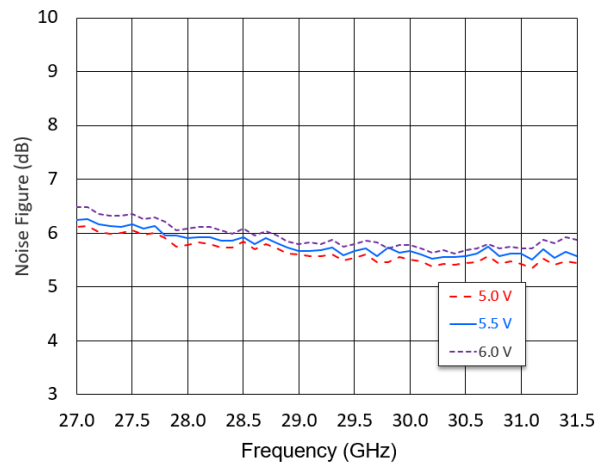
**P3dB vs. Frequency over Bias Voltage**



**Noise Figure vs. Frequency over Temperature**



**Noise Figure vs. Frequency over Bias Voltage**



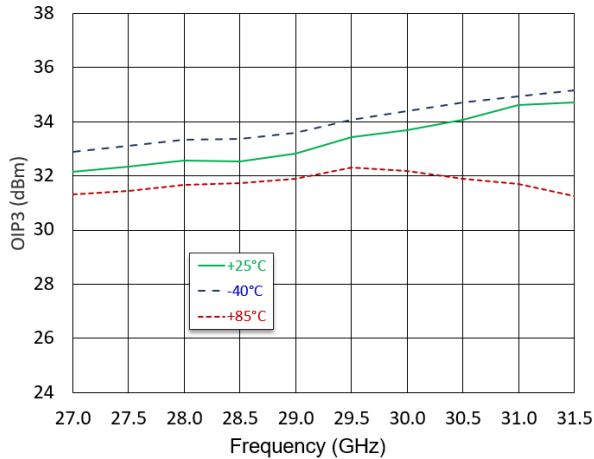
# 0.25 W Ka-Band Amplifier 27 - 31.5 GHz



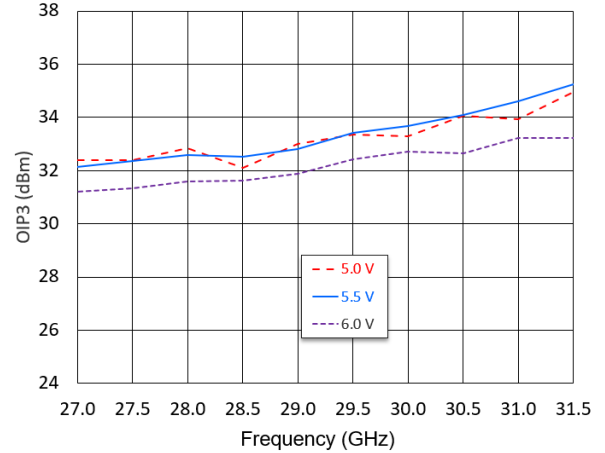
MAAP-011340-DIE  
Rev. V1

## Typical Performance Curves:

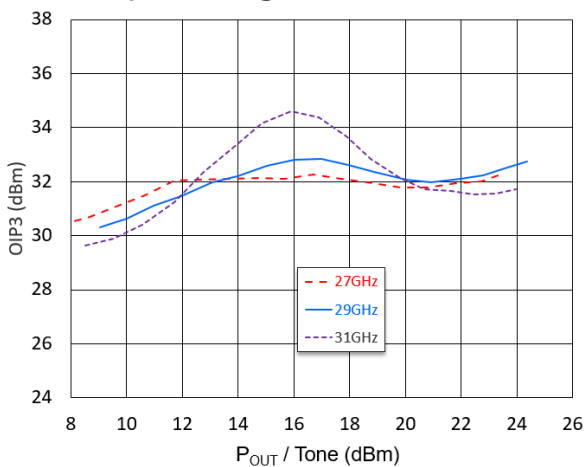
**OIP3 over Temperature ( $P_{OUT} = 16$  dBm / Tone)**



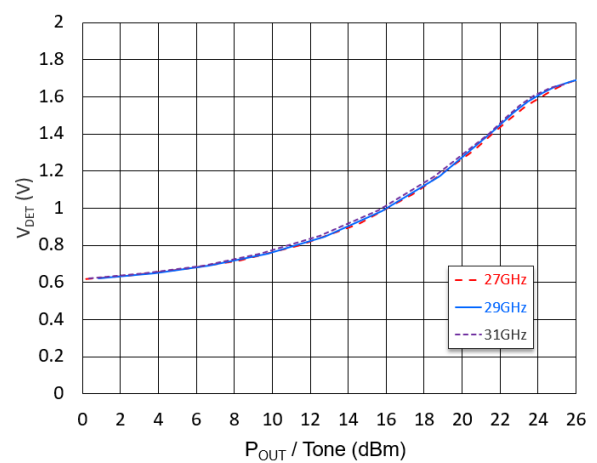
**OIP3 over Bias Voltage ( $P_{OUT} = 16$  dBm / Tone)**



**OIP3 vs. Output Power @ 25°C**



**Detector Voltage vs. Output Power @ 25°C**



**Bias Sequence**

All gate voltages must be applied prior to applying drain voltages.

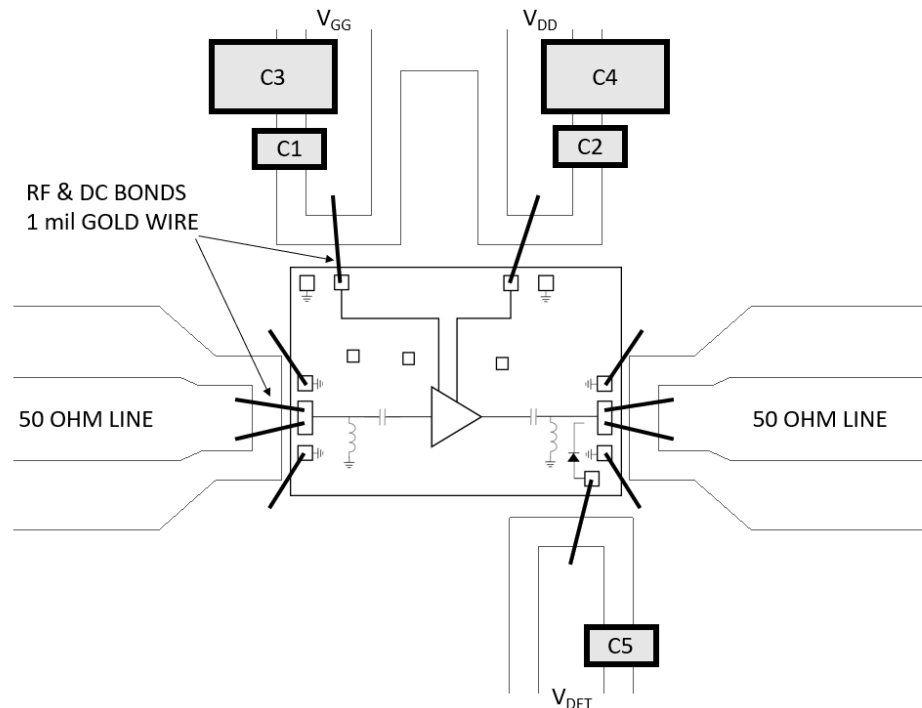
1. Apply  $V_{GG}$  (-2.0 V) to pad 5.
2. Apply  $V_{DD}$  (+5.5 V) to pad 6.
3. Adjust  $V_{GG}$  (approximately -0.7 V) to set  $I_{DQ}$  to 275 mA.

Shut down by removing  $V_{DD}$  first.

**Static Sensitivity**

These electronic devices are sensitive to electrostatic discharge (ESD) and can be damaged by static electricity. Proper ESD control techniques should be used when handling these HBM Class 1C devices.

**Recommended Bonding Diagram**



**Die Attachment**

This product is manufactured from 0.050 mm (0.002") thick GaAs substrate and has vias through to the backside to enable grounding to the circuit.

Recommended conductive epoxy is Namics Unimec XH9890-6. Epoxy should be applied and cured in accordance with the manufacturer's specifications and should avoid contact with the top of the die.

**Parts List**

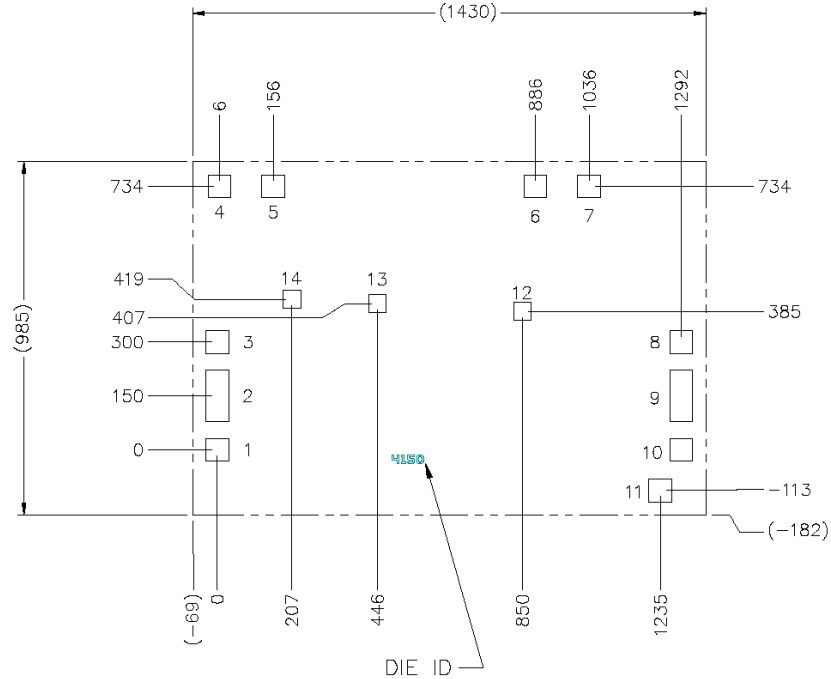
Part #	Value	Case Style
C1, C2	1 nF	0402
C3, C4	10 $\mu$ F	1210
C5	1 $\mu$ F	0402

# 0.25 W Ka-Band Amplifier 27 - 31.5 GHz



**MAAP-011340-DIE**  
Rev. V1

## Die Outline<sup>10,11</sup> (1.430 x 0.985 x 0.050 mm)



BOND PAD DIM. ( $\mu\text{m}$ )			
PAD #	Size (x)	Size (y)	Description
1, 3, 4, 7, 8, 10	64	64	GND
2	64	144	RF <sub>IN</sub>
5	64	64	V <sub>GG</sub>
6	64	64	V <sub>DD</sub>
9	64	144	RF <sub>OUT</sub>
11	64	64	V <sub>DET</sub>
12 - 14	50	50	No Connection

10. Dimensions are in microns unless otherwise noted.

11. GND bond pads 1, 3, 4, 7, 8 and 10 are connected to the backside of the die through via holes. Bond pads 4 and 7 do not require bond wires.

# 0.25 W Ka-Band Amplifier 27 - 31.5 GHz



MAAP-011340-DIE  
Rev. V1

MACOM Technology Solutions Inc. ("MACOM"). All rights reserved.

These materials are provided in connection with MACOM's products as a service to its customers and may be used for informational purposes only. Except as provided in its Terms and Conditions of Sale or any separate agreement, MACOM assumes no liability or responsibility whatsoever, including for (i) errors or omissions in these materials; (ii) failure to update these materials; or (iii) conflicts or incompatibilities arising from future changes to specifications and product descriptions, which MACOM may make at any time, without notice. These materials grant no license, express or implied, to any intellectual property rights.

THESE MATERIALS ARE PROVIDED "AS IS" WITH NO WARRANTY OR LIABILITY, EXPRESS OR IMPLIED, RELATING TO SALE AND/OR USE OF MACOM PRODUCTS INCLUDING FITNESS FOR A PARTICULAR PURPOSE, MERCHANTABILITY, INFRINGEMENT OF INTELLECTUAL PROPERTY RIGHT, ACCURACY OR COMPLETENESS, OR SPECIAL, INDIRECT, INCIDENTAL, OR CONSEQUENTIAL DAMAGES WHICH MAY RESULT FROM USE OF THESE MATERIALS.

MACOM products are not intended for use in medical, lifesaving or life sustaining applications. MACOM customers using or selling MACOM products for use in such applications do so at their own risk and agree to fully indemnify MACOM for any damages resulting from such improper use or sale.