

Power Amplifier 71 - 86 GHz



MAAP-011205

Rev. V4

Features

- Linear Power Amplifier
- 19 dB Gain
- 23.5 dBm Output Power
- Variable Gain with Adjustable Bias
- Wide Dynamic Range Power Detector
- Lead-free 7 mm Air Cavity Package
- RoHS* Compliant

Applications

- E-Band Radar

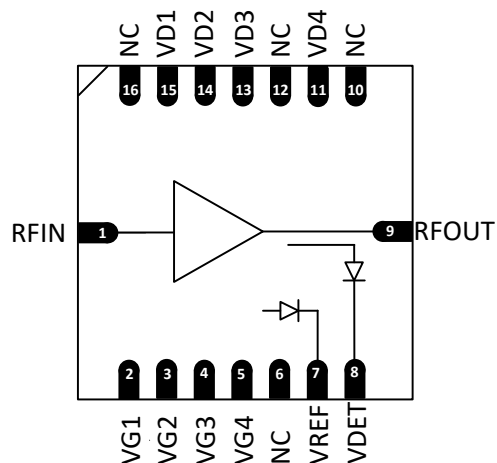
Description

The MAAP-011205 is a surface mount E-band amplifier. This power amplifier operates from 71 - 86 GHz, and is designed to be used in transmit chains and is ideally suited for E-band radar applications.

Each device is 100% RF tested to ensure performance compliance.

The MAAP-011205 is available in a 7 mm air cavity package that is RoHS compliant.

Functional Schematic



Pin Configuration³

Pin #	Pin Name	Description
1	RF _{IN}	RF Input
2	V _{G1}	Gate Voltage, Stage 1
3	V _{G2}	Gate Voltage, Stage 2
4	V _{G3}	Gate Voltage, Stage 3
5	V _{G4}	Gate Voltage, Stage 4
6,10,12,16	NC ²	No Connection
7	V _{REF}	Detector Reference Voltage
8	V _{DET}	Detector Output Voltage
9	RF _{OUT}	RF Output
11	V _{D4}	Drain Voltage, Stage 4
13	V _{D3}	Drain Voltage, Stage 3
14	V _{D2}	Drain Voltage, Stage 2
15	V _{D1}	Drain Voltage, Stage 1

Ordering Information¹

Part Number	Package
MAAP-011205	Bulk
MAAP-011205-TR0100	100 piece reel
MAAP-011205-TR0500	500 piece reel
MAAP-011205-SMB	Sample Board

1. Reference Application Note M513 for reel size information.

2. MACOM recommends connecting unused package pins to ground.
3. The exposed pad centered on the package bottom must be connected to RF, DC and thermal ground.

* Restrictions on Hazardous Substances, compliant to current RoHS EU directive.

Electrical Specifications: Freq. = 71-86 GHz, T_C = 25°C, V_D = +4 V, I_{DQ} = 720 mA, Z₀ = 50

Parameter	Test Conditions	Units	Min.	Typ.	Max.
Small Signal Gain	P _{IN} ≤ -10 dBm 71 GHz 76 GHz 81 GHz 86 GHz	dB	—	19 18 18 20	—
Output P1dB	—	dBm	—	21	—
Output Power	P _{IN} = +10 dBm 71 GHz 76 GHz 81 GHz 86 GHz	dBm	—	23 23.5 24 24	—
Input Return Loss	—	dB	—	-10	—
Output Return Loss	—	dB	—	-12	—
Detector Output Voltage Range	—	mV	10	—	1000
Output Detector Voltage (V _{DET} - V _{REF})	P _{OUT} = 6 dBm P _{OUT} = 16 dBm P _{OUT} = 26 dBm	dBm	—	0.25 0.4 1.0	—
Drain Current	Quiescent Bias P _{IN} = +10 dBm	mA	—	720 1500	— 1800

Maximum Operating Conditions

Parameter	Maximum
Input Power	13 dBm
Drain Supply Voltage	4.2 V
Quiescent Current	910 mA
Junction Temperature ^{4,5}	+150°C
Operating Temperature	-40°C to +85°C

- Operating at nominal conditions with T_J ≤ +150°C will ensure MTTF > 1 x 10⁶ hours.
- Junction Temperature (T_J) = T_C + Θ_{Jc} * (V * I)
Typical thermal resistance (Θ_{Jc}) = 18°C/W.
a) For T_C = +25°C,
T_J = 77°C @ 4 V, 720 mA
b) For T_C = +85°C,
T_J = 137°C @ 4 V, 720 mA

Absolute Maximum Ratings^{6,7}

Parameter	Absolute Maximum
Input Power	16 dBm
Drain Supply Voltage	4.5 V
Quiescent Current	1.05 A
Junction Temperature ⁸	+160°C
Storage Temperature	-55°C to +150°C

- Exceeding any one or combination of these limits may cause permanent damage to this device.
- MACOM does not recommend sustained operation near these survivability limits.
- Junction temperature directly effects device MTTF. Junction temperature should be kept as low as possible to maximize lifetime.

Handling Procedures

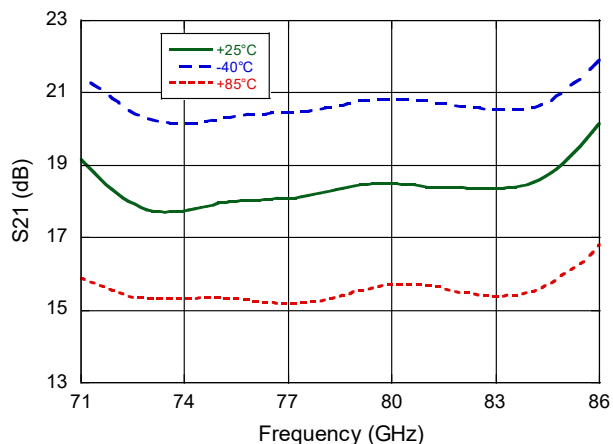
Please observe the following precautions to avoid damage:

Static Sensitivity

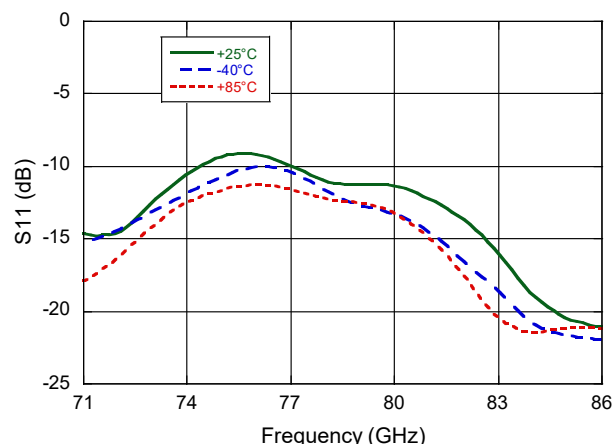
These electronic devices are sensitive to electrostatic discharge (ESD) and can be damaged by static electricity. Proper ESD control techniques should be used when handling these HBM class 1A devices.

Typical Performance Curves

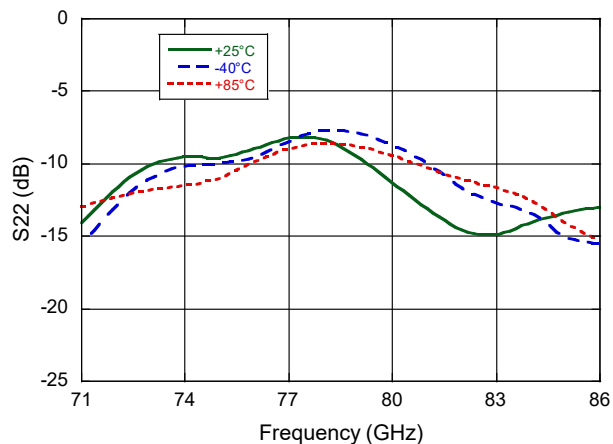
Small Signal Gain



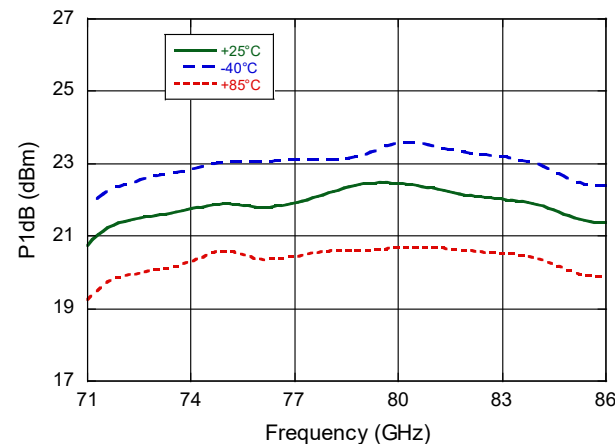
Input Return Loss



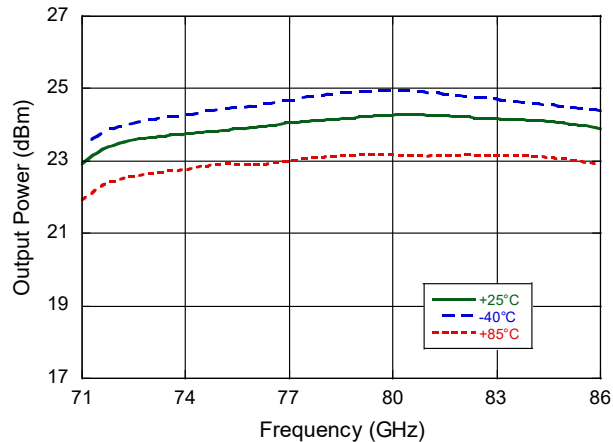
Output Return Loss



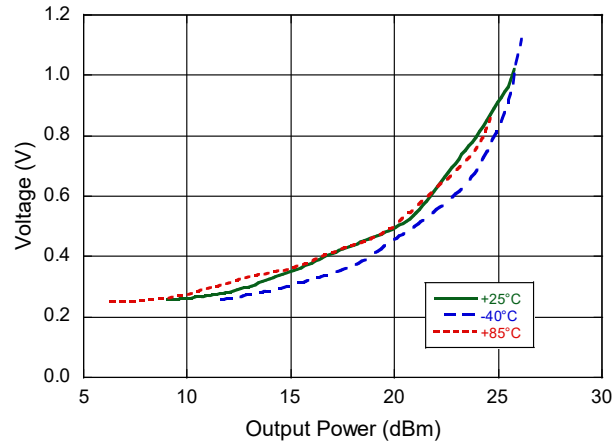
P1dB



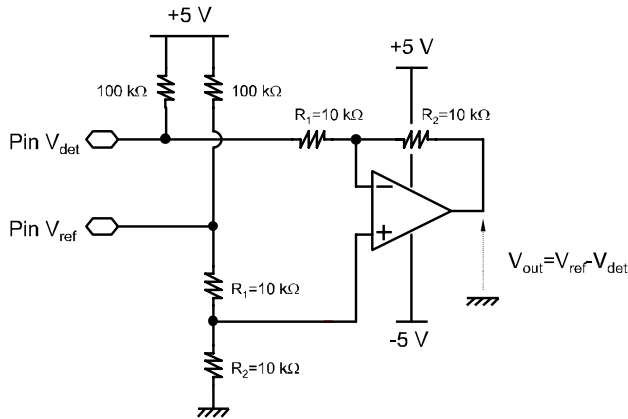
Output Power @ $P_{IN} = 13$ dBm



Vdetector



Application Notes



App Note [1] Biasing - It is recommended to bias the amplifier with $V_D = 4\text{ V}$ and $I_D = 720\text{ mA}$. It is also recommended to use active biasing to keep the currents constant as the RF power and temperature vary; this gives the most reproducible results.

App Note [2] Bias Arrangement - Each DC pin ($V_{D1,2,3,4}$ and $V_{G1,2,3,4}$) must have a DC bypass capacitor with a value of $0.1\text{ }\mu\text{F}$ as close to the package as possible.

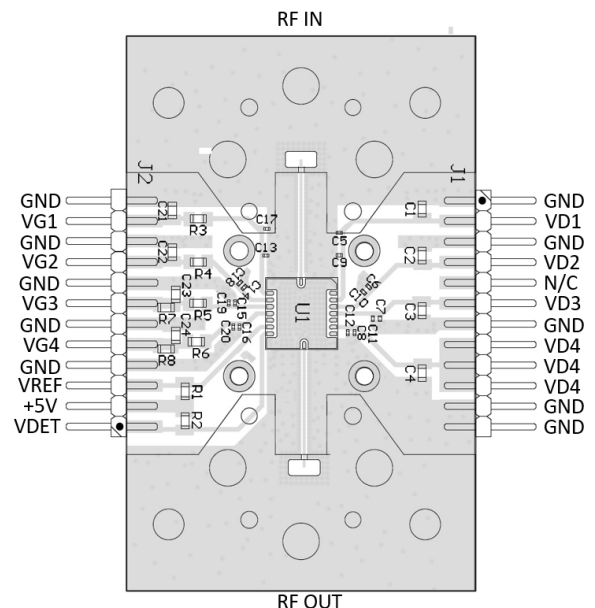
App Note [3] Power Detector - As shown in the schematic below, the power detector is implemented by providing 5 V bias and measuring the difference in output voltage with standard op-amp in a differential mode configuration.

App Note [4] Sample Board Biasing - For most consistent and highest performance, it is recommended to bias the amplifier by adjusting the gate voltages for each stage to achieve target drain currents.

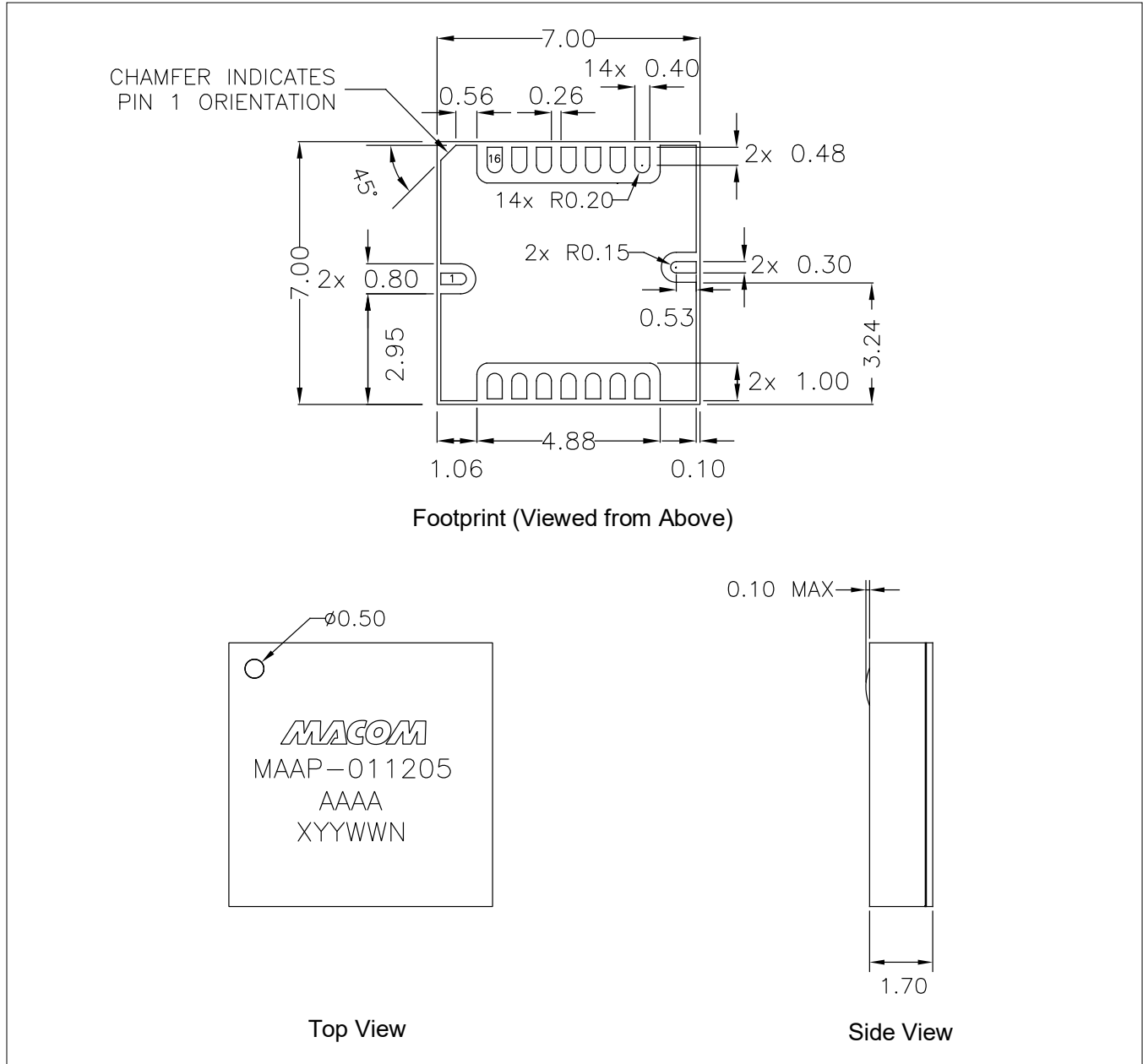
- Stage 1 = 60 mA,
- Stage 2 = 120 mA,
- Stage 3 = 240 mA,
- Stage 4 = 300 mA.
- Total = 720 mA

App Note [5] Sample Board Biasing - Each gate and drain bias should have grounds combined at the sample board. Combining grounds at the power supplies can produce ground loops which can introduce instability. This is manifested by the drain currents changing as each stage is powered up.

App Note [6] Sample board DC connector pinout - As shown in the figure to the right.



Package Dimensions[†]



[†] Reference Application Note S2083 for lead-free solder reflow recommendations.
 Plating is ENEPIG.
 All dimensions are in millimeters.

MACOM Technology Solutions Inc. ("MACOM"). All rights reserved.

These materials are provided in connection with MACOM's products as a service to its customers and may be used for informational purposes only. Except as provided in its Terms and Conditions of Sale or any separate agreement, MACOM assumes no liability or responsibility whatsoever, including for (i) errors or omissions in these materials; (ii) failure to update these materials; or (iii) conflicts or incompatibilities arising from future changes to specifications and product descriptions, which MACOM may make at any time, without notice. These materials grant no license, express or implied, to any intellectual property rights.

THESE MATERIALS ARE PROVIDED "AS IS" WITH NO WARRANTY OR LIABILITY, EXPRESS OR IMPLIED, RELATING TO SALE AND/OR USE OF MACOM PRODUCTS INCLUDING FITNESS FOR A PARTICULAR PURPOSE, MERCHANTABILITY, INFRINGEMENT OF INTELLECTUAL PROPERTY RIGHT, ACCURACY OR COMPLETENESS, OR SPECIAL, INDIRECT, INCIDENTAL, OR CONSEQUENTIAL DAMAGES WHICH MAY RESULT FROM USE OF THESE MATERIALS.

MACOM products are not intended for use in medical, lifesaving or life sustaining applications. MACOM customers using or selling MACOM products for use in such applications do so at their own risk and agree to fully indemnify MACOM for any damages resulting from such improper use or sale.