

Features

- Broad Bandwidth
- Specified from 50 MHz to 20 GHz
- Usable from 50 MHz to 26.5 GHz
- Lower Insertion Loss / Higher Isolation
- Fully Monolithic, Glass Encapsulated Chip
- Up to +33 dBm CW Power Handling @ +25°C
- RoHS* Compliant

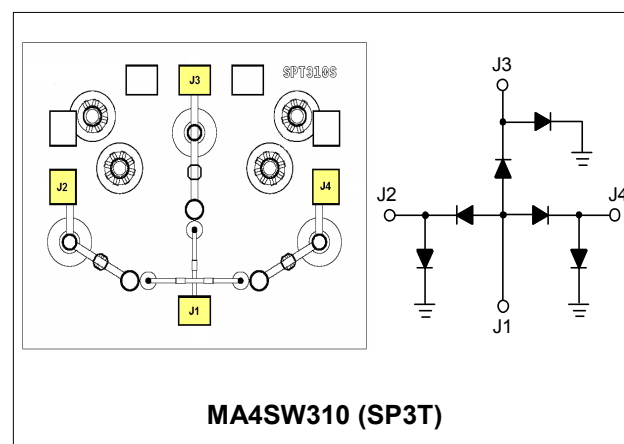
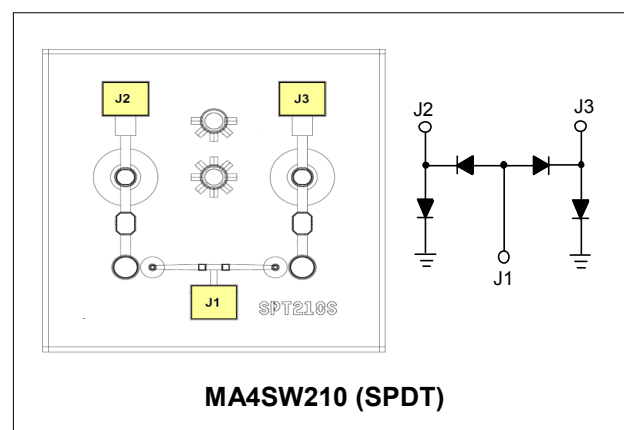
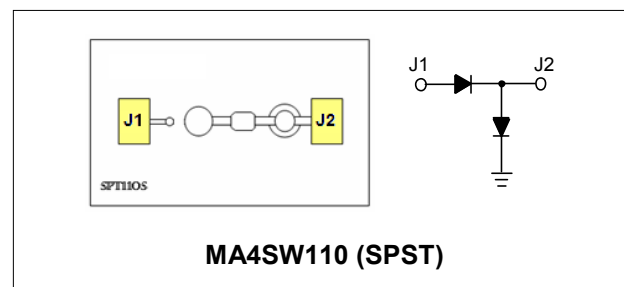
Description

The MA4SW110 (SPST), MA4SW210 (SPDT) and MA4SW310 (SP3T) are series-shunt, broadband, PIN diode switches made with MACOM's HMIC™ (Heterolithic Microwave Integrated Circuit) process. This process allows the silicon pedestals which form the series - shunt diodes and vias to be embedded into low loss, low dispersion glass. By also incorporating small spacing between circuit elements, the result is an HMIC chip with low insertion loss and high isolation at frequencies up to 26.5 GHz.

They are designed for use as moderate power, high performance switches and provide superior performance when compared to similar designs that use discrete components.

The top side of the chip is protected by a polymer coating for manual or automatic handling and large gold bond pads help facilitate connection of low inductance ribbons. The gold metallization on the backside of the chip allows for attachment via 80/20, gold/tin solder or conductive silver epoxy.

Functional Diagrams



Ordering Information

| Part Number | Package |
|-------------|----------|
| MA4SW110 | Gel Pack |
| MA4SW210 | Gel Pack |
| MA4SW310 | Gel Pack |

*Restrictions on Hazardous Substances, European Union Directive 2011/65/EU.

MA4SWx10 Series



HMIC™ Silicon PIN Diode Switches

Rev. V11

Electrical Specifications: $T_A = 25^\circ\text{C}$, 20 mA

MA4SW110 (SPST)

| Parameter | Test Conditions | Units | Min. | Typ. | Max. |
|------------------------------|-----------------|-------|------|------|------|
| Insertion Loss | 6 GHz | dB | — | 0.4 | 0.7 |
| | 13 GHz | | | 0.5 | 0.9 |
| | 20 GHz | | | 0.7 | 1.2 |
| Isolation | 6 GHz | dB | 46 | 55 | — |
| | 13 GHz | | 39 | 47 | |
| | 20 GHz | | 34 | 42 | |
| Input Return Loss | 6 GHz | dB | 22 | 31 | — |
| | 13 GHz | | 15 | 33 | |
| | 20 GHz | | 14 | 27 | |
| Switching Speed ¹ | — | ns | — | 50 | — |
| Voltage Rating ² | — | V | — | — | 50 |
| Signal Compression | 500 mW, 1 GHz | dB | — | 0.2 | — |

MA4SW210 (SPDT)

| Parameter | Test Conditions | Units | Min. | Typ. | Max. |
|------------------------------|-----------------|-------|------|------|------|
| Insertion Loss | 6 GHz | dB | — | 0.4 | 0.7 |
| | 13 GHz | | | 0.5 | 1.0 |
| | 20 GHz | | | 0.7 | 1.2 |
| Isolation | 6 GHz | dB | 48 | 63 | — |
| | 13 GHz | | 40 | 50 | |
| | 20 GHz | | 34 | 42 | |
| Input Return Loss | 6 GHz | dB | 20 | 27 | — |
| | 13 GHz | | 18 | 25 | |
| | 20 GHz | | 15 | 25 | |
| Switching Speed ¹ | — | ns | — | 50 | — |
| Voltage Rating ² | — | V | — | — | 50 |
| Signal Compression | 500 mW, 1 GHz | dB | — | 0.2 | — |

MA4SW310 (SP3T)

| Parameter | Test Conditions | Units | Min. | Typ. | Max. |
|------------------------------|-----------------|-------|------|------|------|
| Insertion Loss | 6 GHz | dB | — | 0.5 | 0.8 |
| | 13 GHz | | | 0.7 | 1.1 |
| | 20 GHz | | | 0.9 | 1.5 |
| Isolation | 6 GHz | dB | 49 | 57 | — |
| | 13 GHz | | 42 | 48 | |
| | 20 GHz | | 33 | 42 | |
| Input Return Loss | 6 GHz | dB | 20 | 24 | — |
| | 13 GHz | | 14 | 22 | |
| | 20 GHz | | 11 | 21 | |
| Switching Speed ¹ | — | ns | — | 50 | — |
| Voltage Rating ² | — | V | — | — | 50 |
| Signal Compression | 500 mW, 1 GHz | dB | — | 0.2 | — |

1. Typical switching speed is measured from (10% to 90% and 90% to 10% of detected RF voltage), driven by TTL compatible drivers. In the modulating state, (the switching port is modulating, all other ports are in steady state isolation.) The switching speed is measured using an RC network using the following values: R = 50 - 200 Ω , C = 390 - 1000 pF. Driver spike current, $I_C = C dv/dt$, ratio of spike current to steady state current, is typically 10:1.

2. Maximum reverse leakage current in either the shunt or series PIN diodes shall be 10 μA maximum at -50 volts.

MACOM Technology Solutions Inc. (MACOM) and its affiliates reserve the right to make changes to the product(s) or information contained herein without notice. Visit www.macom.com for additional data sheets and product information.

Absolute Maximum Ratings^{3,4,5}

| Parameter | Absolute Maximum |
|-----------------------|------------------|
| RF CW Incident Power | +33 dBm |
| Reverse Voltage | -50 V |
| Bias Current per Port | ±50 mA @ +25°C |
| Operating Temperature | -65°C to +125°C |
| Storage Temperature | -65°C to +150°C |
| Junction Temperature | +175°C |

- Exceeding any one or combination of these limits may cause permanent damage to this device.
- MACOM does not recommend sustained operation near these survivability limits.
- Maximum operating conditions for a combination of RF power, DC bias and temperature: +33 dBm CW @ 15 mA (per diode) +85°C.

Handling Procedures

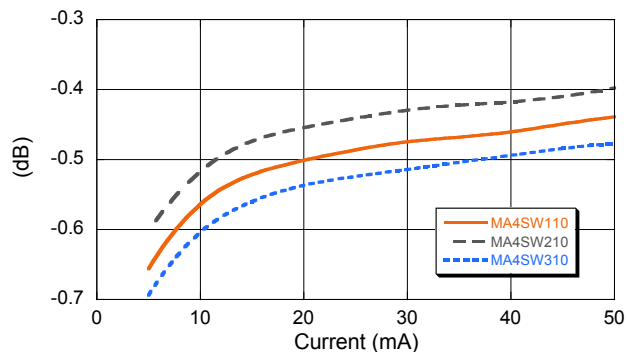
Please observe the following precautions to avoid damage:

Static Sensitivity

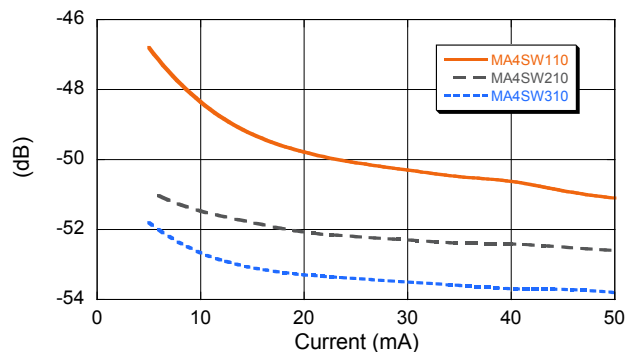
These electronic devices are sensitive to electrostatic discharge (ESD) and can be damaged by static electricity. Proper ESD control techniques should be used when handling these Class 0 (HBM) and Class C1 (CDM) devices.

Typical Performance Curves @ 10 GHz:

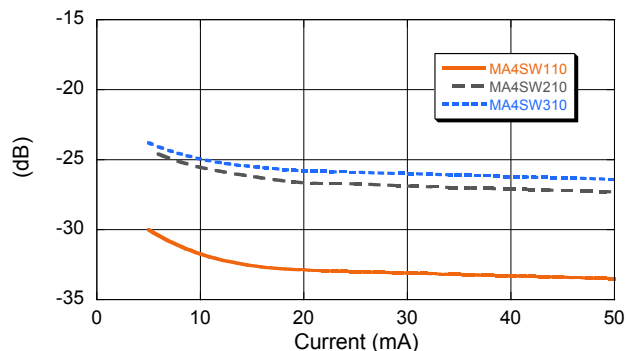
Insertion Loss vs. Bias Current



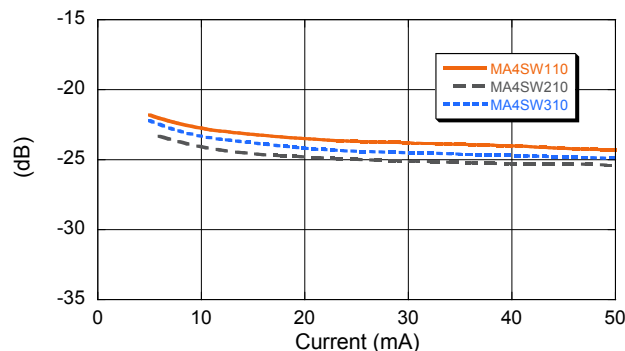
Isolation vs. Bias Current



Input Return Loss vs. Bias Current



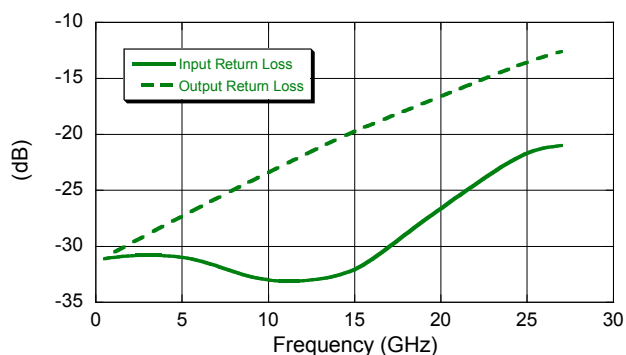
Output Return Loss vs. Bias Current



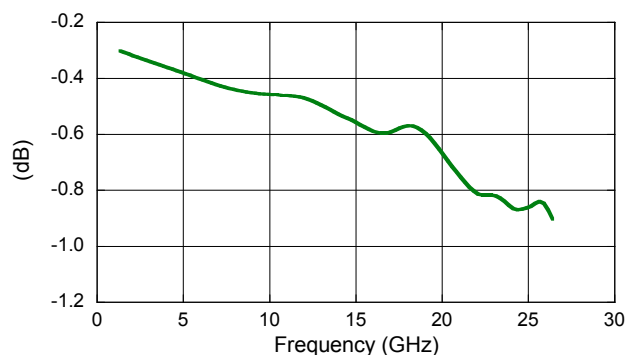
Typical Performance Curves @ $T_A = +25^\circ\text{C}$, 20 mA Bias Current

MA4SW110

Return Loss vs. Frequency

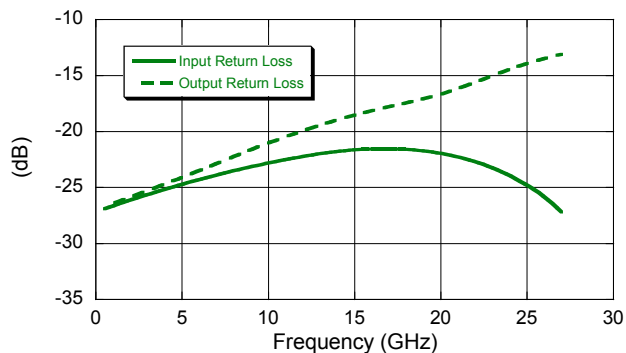


Insertion Loss vs. Frequency

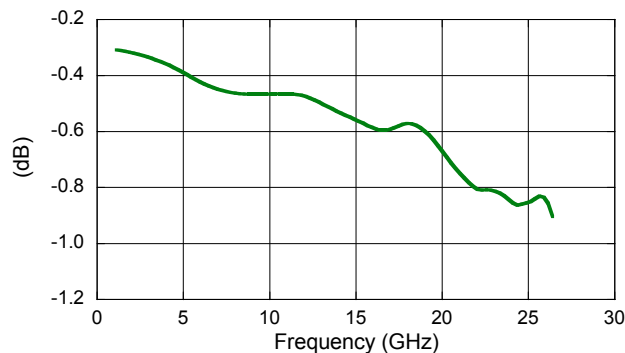


MA4SW210

Return Loss vs. Frequency

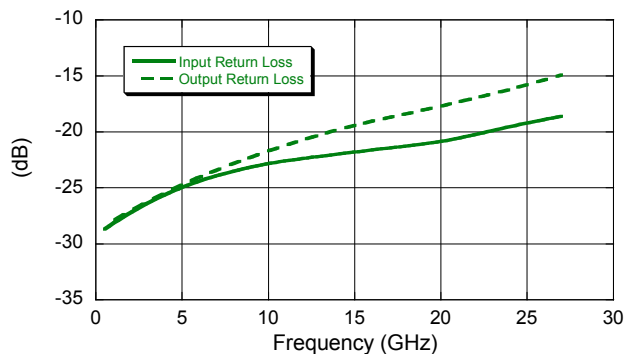


Insertion Loss vs. Frequency

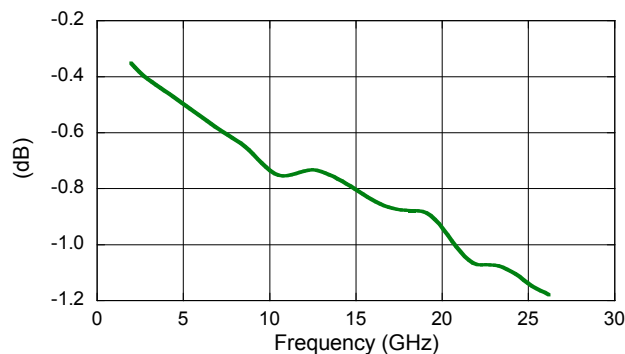


MA4SW310

Return Loss vs. Frequency



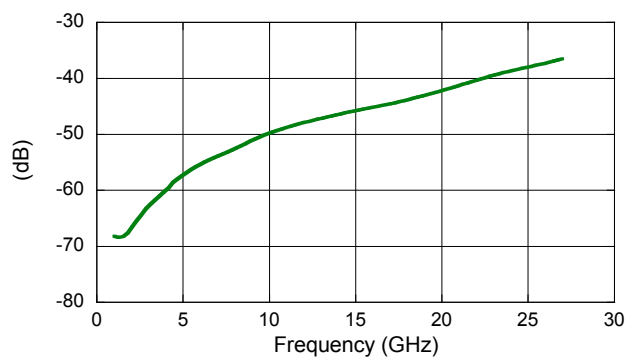
Insertion Loss vs. Frequency



Typical Performance Curves @ $T_A = +25^\circ\text{C}$, 20 mA Bias Current

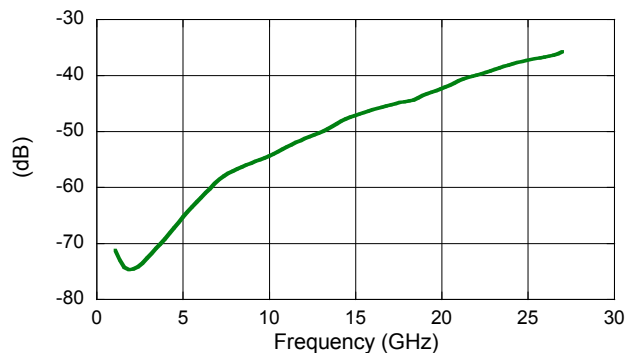
MA4SW110

Isolation vs. Frequency



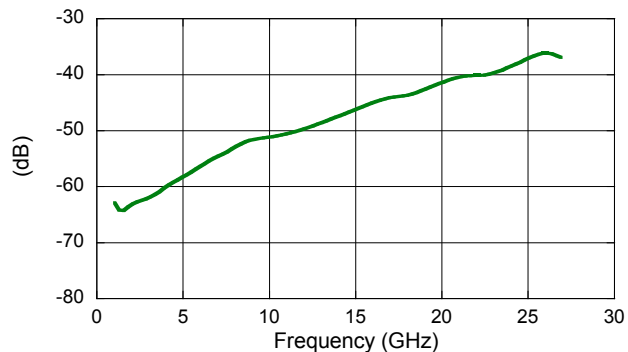
MA4SW210

Isolation vs. Frequency



MA4SW310

Isolation vs. Frequency



Operation of MA4SW Series Switches

The simultaneous application of a negative DC current to the low loss port and positive DC current to the isolated port is required for proper operation of the MA4SW series of PIN switches. The backside area of the die is the RF and DC ground return and the DC return is through the common Port J1. A constant current source should be used to supply the DC control currents. The control voltages at these points will not exceed ± 1.5 volts for supply currents up to ± 50 mA. In the low loss state, the series diode must be forward biased and the shunt diode reverse biased. On all isolated ports, the shunt diode is forward biased and the series diode is reverse biased.

Driver Connections and Drivers

MA4SW110 (SPST)

| DC Control Current (mA) | RF Output State |
|--|-----------------|
| J2 | J1-J2 |
| -20 | low loss |
| +20 | Isolation |
| Compatible MACOM Driver MADR-007097-000100 | |

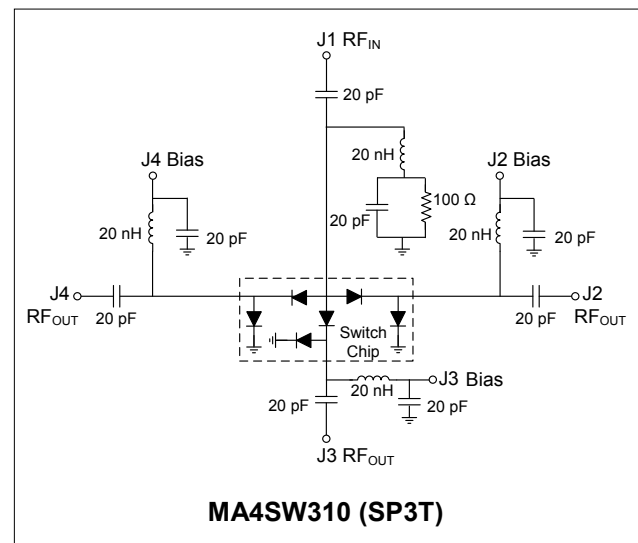
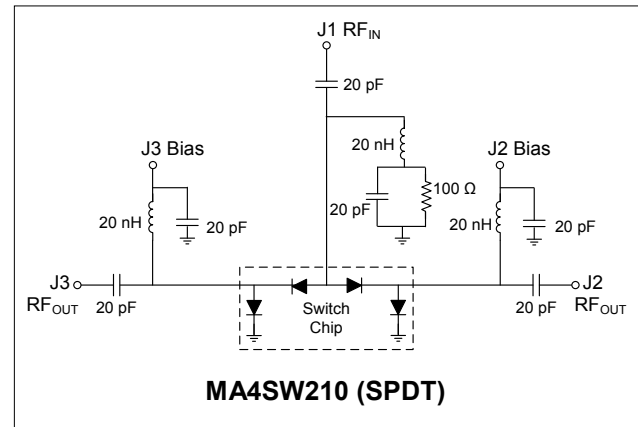
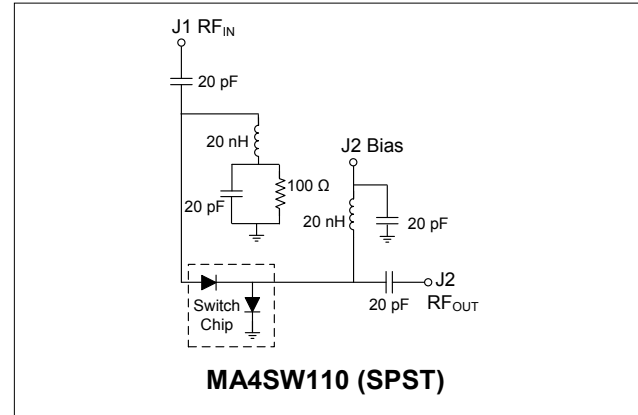
MA4SW210 (SPDT)

| DC Control Current (mA) | | RF Output States | |
|--|-----|------------------|-----------|
| J2 | J3 | J1-J2 | J1-J3 |
| -20 | +20 | low loss | Isolation |
| +20 | -20 | Isolation | low loss |
| Compatible MACOM Driver MADR-007097-000100 | | | |

MA4SW310 (SP3T)

| DC Control Current (mA) | | | RF Output States | | |
|--|-----|-----|------------------|-----------|-----------|
| J2 | J3 | J4 | J1-J2 | J1-J3 | J1-J4 |
| -20 | +20 | +20 | low loss | Isolation | Isolation |
| +20 | -20 | +20 | Isolation | low loss | Isolation |
| +20 | +20 | -20 | Isolation | Isolation | low loss |
| Compatible MACOM Driver MADR-009190-000100 | | | | | |

Bias Connections⁶



6. RLC values are for an operation frequency of 2-18 GHz and bias current of ± 20 mA per port..

MA4SWx10 Series

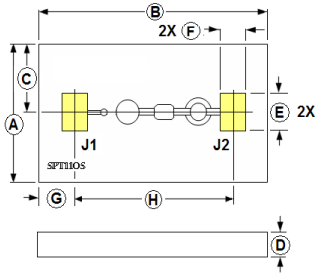


HMIC™ Silicon PIN Diode Switches

Rev. V11

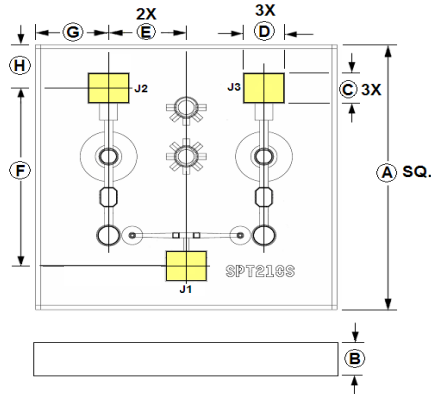
Chip Outline Drawings^{7,8}

MA4SW110



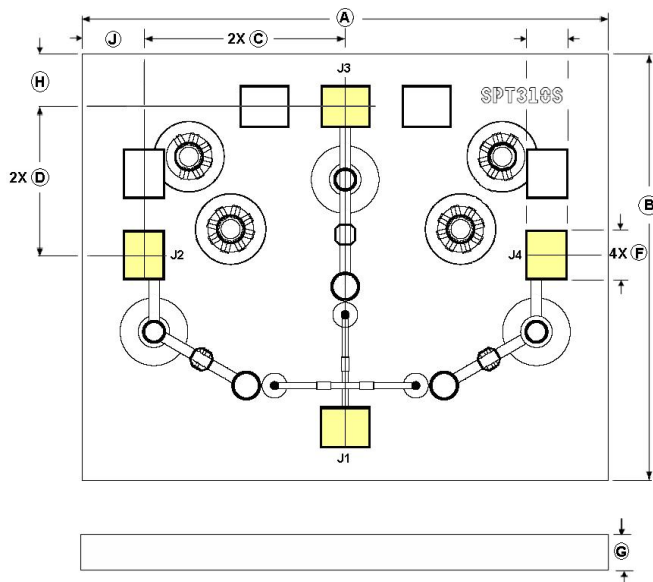
| DIM | INCHES | | MM | |
|-----|------------|-------|-----------|------|
| | MIN. | MAX. | MIN. | MAX. |
| A | 0.014 | 0.018 | 0.35 | 0.45 |
| B | 0.025 | 0.029 | 0.64 | 0.74 |
| C | 0.008 Ref. | | 0.20 Ref. | |
| D | 0.004 | 0.006 | 0.10 | 0.15 |
| E | 0.004 Ref. | | 0.10 Ref. | |
| F | 0.003 Ref. | | 0.08 Ref. | |
| G | 0.003 Ref. | | 0.08 Ref. | |
| H | 0.020 Ref. | | 0.52 Ref. | |

MA4SW210



| DIM | INCHES | | MM | |
|-----|------------|-------|-----------|------|
| | MIN. | MAX. | MIN. | MAX. |
| A | 0.029 | 0.033 | 0.73 | 0.83 |
| B | 0.004 | 0.006 | 0.10 | 0.15 |
| C | 0.004 Ref. | | 0.10 Ref. | |
| D | 0.005 Ref. | | 0.13 Ref. | |
| E | 0.009 Ref. | | 0.23 Ref. | |
| F | 0.023 Ref. | | 0.58 Ref. | |
| G | 0.007 Ref. | | 0.17 Ref. | |
| H | 0.004 Ref. | | 0.10 Ref. | |

MA4SW310



| DIM | INCHES | | MM | |
|-----|------------|-------|-----------|------|
| | MIN. | MAX. | MIN. | MAX. |
| A | 0.046 | 0.050 | 1.16 | 1.26 |
| B | 0.036 | 0.040 | 0.92 | 1.02 |
| C | 0.019 Ref. | | 0.48 Ref. | |
| D | 0.014 Ref. | | 0.36 Ref. | |
| E | 0.004 Ref. | | 0.10 Ref. | |
| F | 0.005 Ref. | | 0.13 Ref. | |
| G | 0.004 | 0.006 | 0.10 | 0.15 |
| H | 0.005 Ref. | | 0.12 Ref. | |
| J | 0.004 Ref. | | 0.10 Ref. | |

- 7. Topside and backside metallization is gold, 2.5 μm thick typical.
- 8. Yellow areas indicate ribbon/wire bonding pads

Cleanliness

The chips should be handled in a clean environment free of dust and organic contamination.

Wire / Ribbon Bonding

Thermo compression wedge bonding using 0.003" x 0.00025" ribbon or 0.001" diameter gold wire is recommended. A work stage temperature of 150°C - 200°C, tool tip temperature of 120°C - 150° and a downward force of 18 to 22 grams should be used. If ultrasonic energy is necessary, it should be adjusted to the minimum level required to achieve a good bond. Excessive power or force will fracture the silicon beneath the bond pad causing it to lift. RF bond wires and ribbons should be kept as short as possible for optimum RF performance.

Chip Mounting

HMIC switches have Ti-Pt-Au backside metallization and can be mounted using a gold-tin eutectic solder or conductive epoxy. Mounting surface must be free of contamination and flat.

Eutectic Die Attachment

80/20, gold-tin, solder is recommended. A re-flow oven or hot gas die bonder with a temperature setting of 290°C is normally used to melt the solder. The chip should not be exposed to temperatures greater than 320°C for more than 20 seconds. Typically no more than three seconds at peak temperature is required for attachment. RoHS compliant solders may also be used but solders rich in tin should be avoided as they will scavenge the backside gold and/or cause gold embrittlement.

Epoxy Die Attachment

A minimum amount of epoxy, 1 - 2 mils thick, should be used to attach chip. A thin epoxy fillet should be visible around the outer perimeter of the chip after placement. Epoxy cure time is typically 1 hour at 150°C.

M/A-COM Technology Solutions Inc. All rights reserved.

Information in this document is provided in connection with M/A-COM Technology Solutions Inc ("MACOM") products. These materials are provided by MACOM as a service to its customers and may be used for informational purposes only. Except as provided in MACOM's Terms and Conditions of Sale for such products or in any separate agreement related to this document, MACOM assumes no liability whatsoever. MACOM assumes no responsibility for errors or omissions in these materials. MACOM may make changes to specifications and product descriptions at any time, without notice. MACOM makes no commitment to update the information and shall have no responsibility whatsoever for conflicts or incompatibilities arising from future changes to its specifications and product descriptions. No license, express or implied, by estoppel or otherwise, to any intellectual property rights is granted by this document.

THESE MATERIALS ARE PROVIDED "AS IS" WITHOUT WARRANTY OF ANY KIND, EITHER EXPRESS OR IMPLIED, RELATING TO SALE AND/OR USE OF MACOM PRODUCTS INCLUDING LIABILITY OR WARRANTIES RELATING TO FITNESS FOR A PARTICULAR PURPOSE, CONSEQUENTIAL OR INCIDENTAL DAMAGES, MERCHANTABILITY, OR INFRINGEMENT OF ANY PATENT, COPYRIGHT OR OTHER INTELLECTUAL PROPERTY RIGHT. MACOM FURTHER DOES NOT WARRANT THE ACCURACY OR COMPLETENESS OF THE INFORMATION, TEXT, GRAPHICS OR OTHER ITEMS CONTAINED WITHIN THESE MATERIALS. MACOM SHALL NOT BE LIABLE FOR ANY SPECIAL, INDIRECT, INCIDENTAL, OR CONSEQUENTIAL DAMAGES, INCLUDING WITHOUT LIMITATION, LOST REVENUES OR LOST PROFITS, WHICH MAY RESULT FROM THE USE OF THESE MATERIALS.

MACOM products are not intended for use in medical, lifesaving or life sustaining applications. MACOM customers using or selling MACOM products for use in such applications do so at their own risk and agree to fully indemnify MACOM for any damages resulting from such improper use or sale.