

Features

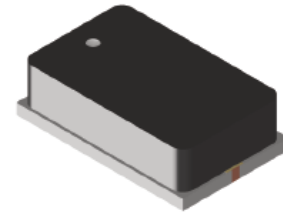
- Surface Mount Limiter in 8 mm x 5 mm x 2.5 mm Package
- Incorporates PIN Limiter Diodes, DC Blocks and DC Return
- Higher Peak Power Handling than Plastic: 100 W Peak Power
- Higher Average Power Handling than Plastic: 4 W CW Power
- Lower Insertion Loss: 1.1 dB
- Lower Flat Leakage Power: 19 dB
- RoHS* Compliant

Description

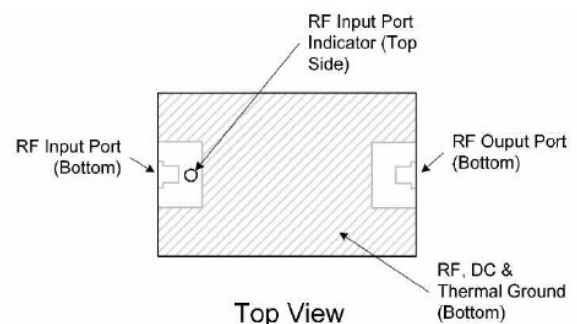
The LM202802-L-C-300 surface mount silicon PIN diode limiter is manufactured using a proven hybrid manufacturing process incorporating PIN diodes and passive devices integrated within a ceramic substrate. This low profile, compact, surface mount component offers superior low and high signal performance to comparable MMIC devices in QFN packages. The limiter modules are designed to optimize small signal insertion loss, noise figure and high signal flat leakage performance in a compact, surface mount package from 2 - 8 GHz.

Using PIN diodes with lower thermal resistance (<100°C/W), RF CW incident power levels of +36 dBm and RF peak incident power levels of +50 dBm @ 1 μs RF pulse width, 0.1% duty cycle are very achievable. In addition, this design concept provides lower flat leakage power (<+19 dBm) and lower spike leakage energy (<0.2 Ergs) for superior LNA protection.

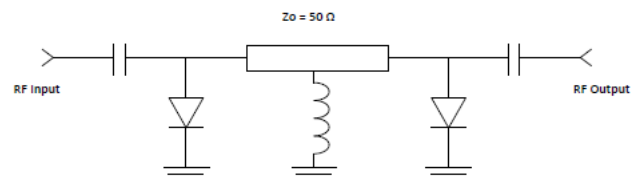
These LM202802-L-C-300 limiters are ideal for octave band radar applications, requiring high volume, surface mount, solder re-flow manufacturing. These products are durable, reliable, and capable of meeting all military, commercial, and industrial environments. The devices are fully RoHS compliant and are available in tube or tape-reel.



Pin Out



Limiter Schematic



Ordering Information

| Part Number | Package |
|--------------------|-----------------------|
| LM202802-L-C-300-T | tube packaging |
| LM202802-L-C-300-R | 250 or 500 piece reel |
| LM202802-L-C-300-W | waffle packaging |
| LM202802-L-C-300-E | RF evaluation board |

* Restrictions on Hazardous Substances, European Union Directive 2011/65/EU.

Electrical Specifications: Freq. = 2 - 8 GHz, T_A = +25°C, Z₀ = 50 Ω

| Parameter | Test Conditions | Units | Min. | Typ. | Max. |
|------------------------------|---|-------|------|------|------|
| Insertion Loss | Swept Frequency, P _{OUT} = 0 dBm | dB | — | -1.1 | -1.4 |
| Return Loss | Swept Frequency, P _{OUT} = 0 dBm | dB | -13 | -15 | — |
| Input 1 dB Compression Point | Swept Frequency | dBm | 7 | 8 | 10 |
| 2ND Harmonic | P _{OUT} = 0 dBm F ₀ = 2 GHz | dBc | 45 | 50 | — |
| Peak Incident Power | RF Pulse Width = 1 μs, duty cycle = 0.1% | dBm | — | 50 | 50 |
| CW Incident Power | Swept Frequency | dBm | — | 36 | 37 |
| Flat Leakage Power | +47 dBm, RF pulse width = 1 μs, duty cycle = 0.1% | dBm | — | 19 | 21 |
| Spike Leakage Energy | +47 dBm, RF pulse width = 1 μs, duty cycle = 0.1% | erg | — | 0.2 | 0.3 |
| Recovery Time | 50% falling edge of RF pulse to 1 dB IL, +47 dBm peak, RF pulse width = 1 μs, duty cycle = 0.1% | μs | — | 75 | 150 |

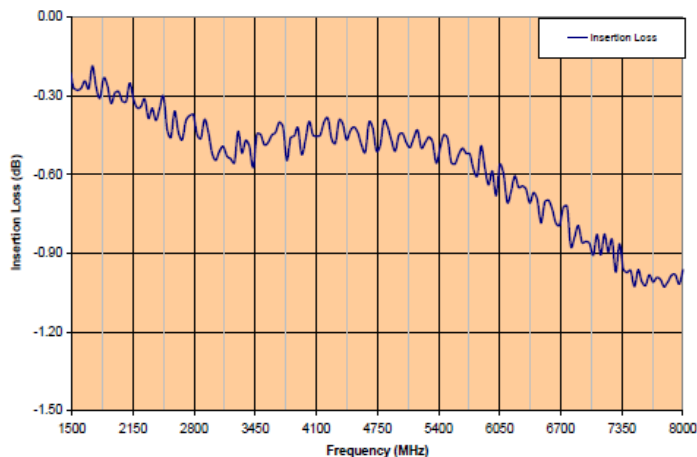
Absolute Maximum Ratings^{1,2}

| Parameter | Absolute Maximum |
|--|----------------------|
| RF CW Incident Power @ +85°C, Source & Load VSWR <1.2:1 | 36 dBm |
| RF Peak Incident Power @ +85°C, Source & Load VSWR <1.2:1 RF Pulse Width = 1 μs, 0.1% Duty Cycle | 50 dBm |
| Insertion Loss Rate of Change with Operating Temperature | -0.003 dB / °C |
| Thermal Resistance Junction to bottom surface of package | 100°C/W |
| Junction Temperature | +175°C |
| Operating Temperature | -65°C to +125°C |
| Storage Temperature | -65°C to +150°C |
| Assembly Temperature | 260°C for 10 seconds |

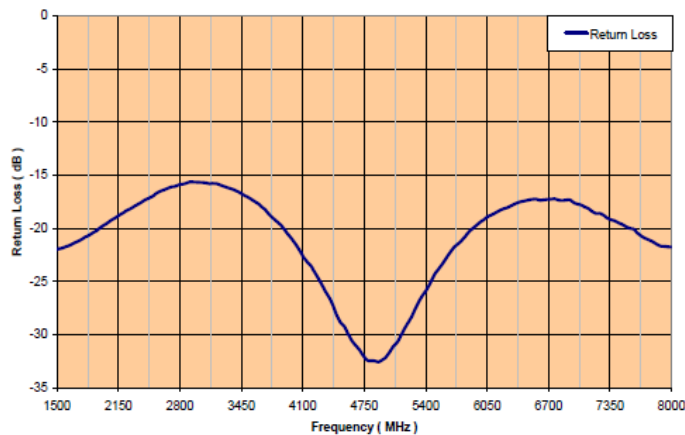
1. Exceeding any one or combination of these limits may cause permanent damage to this device.
2. MACOM does not recommend sustained operation near these survivability limits.
3. T_C is defined as the temperature of the bottom surface of the package.

Typical Performance Curves

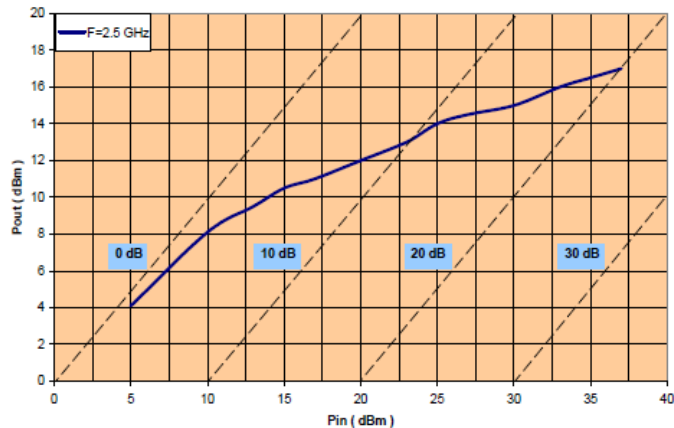
Insertion Loss vs. Frequency



Return Loss vs. Frequency



CW Output Power vs. CW Input Power



Handling Procedures

Please observe the following precautions to avoid damage:

Static and Moisture Sensitivity

These electronic devices are sensitive to electrostatic discharge (ESD) and can be damaged by static electricity. Proper ESD control techniques should be used when handling these Class 0 (HBM) devices.

The moisture sensitivity level rating for this device is MSL 2.

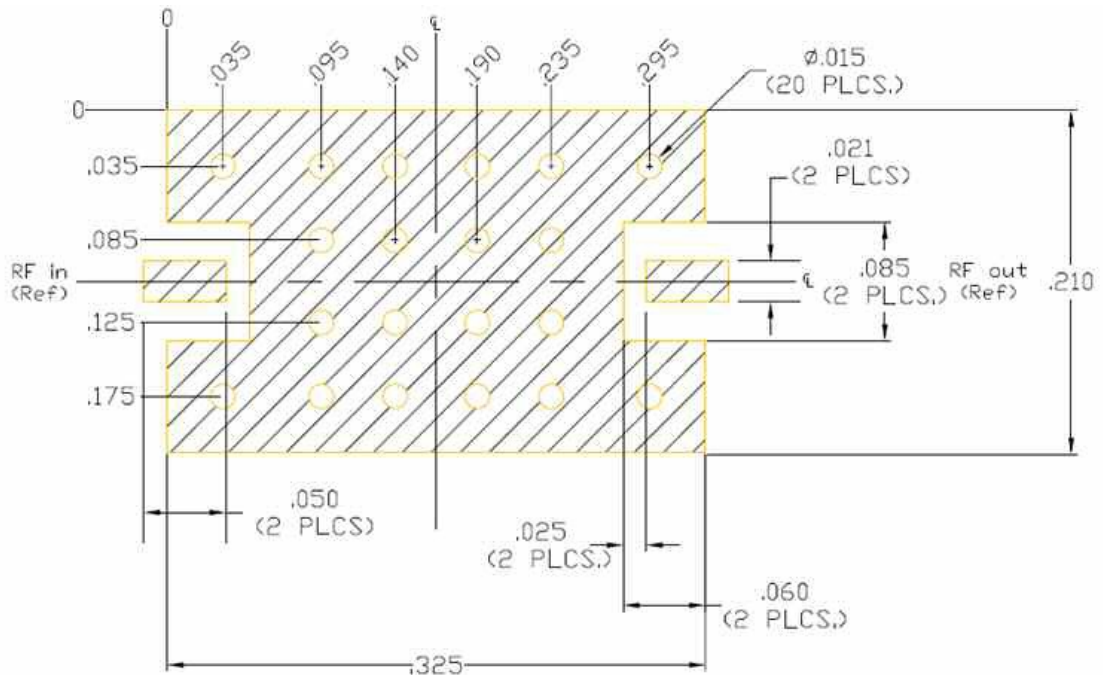
Environmental Capabilities

This limiter is capable of meeting the environmental requirements of MIL-STD-750 and MIL-STD-202.

Assembly Instructions

LM202802-L-C-300 may be placed onto circuit boards with pick and place manufacturing equipment from tube or tape-reel dispensing. The devices are attached to the circuit board using conventional solder re-flow or wave soldering procedures with RoHS type or Sn63/Pb37 type solders per Table 1 and Graph 1 Time-Temperature recommended profile.

RF Circuit Solder Footprint, case style 300 (CS300)



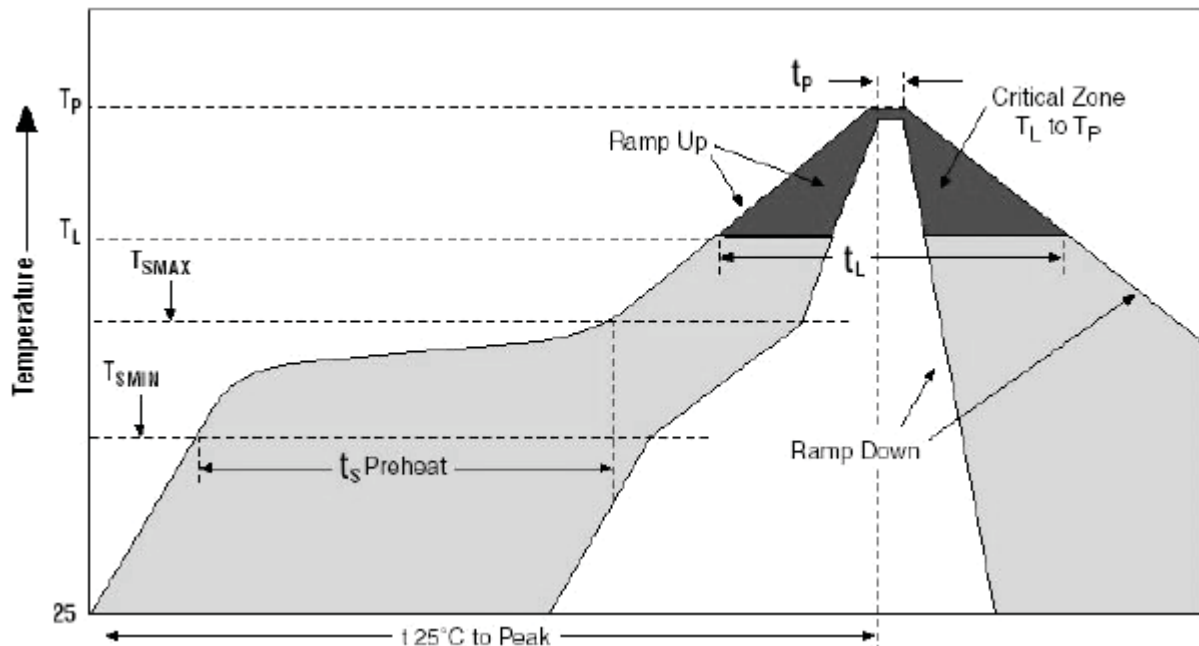
Recommended RF circuit is Rogers R04350B, 10 mils thick.

The hatched metal area on circuit side of device is RF, DC and thermal grounded. Vias should be solid copper fill and gold plated for optimum heat transfer from backside of switch module through circuit vias to metal thermal ground.

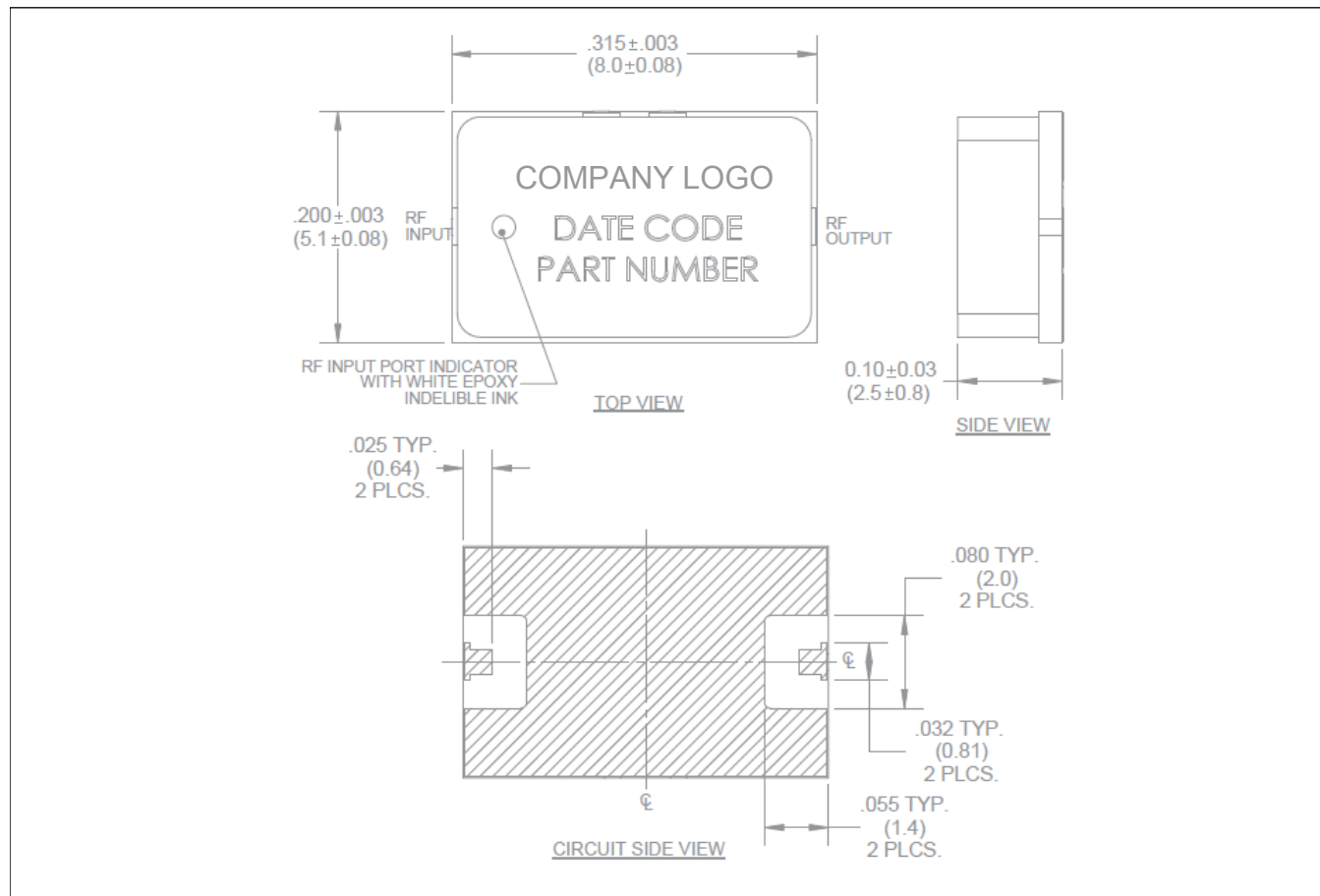
Table 1: Time-Temperature Profile for Sn 60 / Pb 40 or RoHS Type Solders

| Profile Feature | Sn-Pb Eutectic Assembly | Pb-Free Assembly |
|---|----------------------------------|----------------------------------|
| Average ramp-up rate (TL to TP) | 3°C/second maximum | 3°C/second maximum |
| Preheat - Temperature Minimum (TSMIN) - Temperature Maximum (TSMAX) - Time (Minimum to maximum) (ts) | 100°C 150°C 60-120 seconds | 150°C 200°C 60-180 seconds |
| TSMAX to TL - Ramp-up Rate | — | 3°C/second maximum |
| Time Maintained above: - Temperature (TL) - Time (tL) | 183°C 60-150 seconds | 217°C 60-150 seconds |
| Peak Temperature (TP) | 225 +0 / -5°C | 245 +0 / -5°C |
| Time within 5°C of actual Peak Temperature (TP) | 10-30 seconds | 20-40 seconds |
| Ramp-down Rate | 6°C/second maximum | 6°C/second maximum |
| Time 25°C to Peak Temperature | 6 minutes maximum | 8 minutes maximum |

Graph1: Solder Re-Flow Time-Temperature Function



Outline Drawing, Case Style 300 (CS300)



The hatched metal area on circuit side of device is RF, DC and thermal grounded.

Dimensions are in inches (mm)

Substrate Material: 20 mil thick Alumina Nitride (ALN)

RF Cover: Black Ceramic

Top Side and Backside Metallization: 100 μ IN. typical plated over Ti-Pd.

MACOM Technology Solutions Inc. All rights reserved.

Information in this document is provided in connection with MACOM Technology Solutions Inc ("MACOM") products. These materials are provided by MACOM as a service to its customers and may be used for informational purposes only. Except as provided in MACOM's Terms and Conditions of Sale for such products or in any separate agreement related to this document, MACOM assumes no liability whatsoever. MACOM assumes no responsibility for errors or omissions in these materials. MACOM may make changes to specifications and product descriptions at any time, without notice. MACOM makes no commitment to update the information and shall have no responsibility whatsoever for conflicts or incompatibilities arising from future changes to its specifications and product descriptions. No license, express or implied, by estoppel or otherwise, to any intellectual property rights is granted by this document.

THESE MATERIALS ARE PROVIDED "AS IS" WITHOUT WARRANTY OF ANY KIND, EITHER EXPRESS OR IMPLIED, RELATING TO SALE AND/OR USE OF MACOM PRODUCTS INCLUDING LIABILITY OR WARRANTIES RELATING TO FITNESS FOR A PARTICULAR PURPOSE, CONSEQUENTIAL OR INCIDENTAL DAMAGES, MERCHANTABILITY, OR INFRINGEMENT OF ANY PATENT, COPYRIGHT OR OTHER INTELLECTUAL PROPERTY RIGHT. MACOM FURTHER DOES NOT WARRANT THE ACCURACY OR COMPLETENESS OF THE INFORMATION, TEXT, GRAPHICS OR OTHER ITEMS CONTAINED WITHIN THESE MATERIALS. MACOM SHALL NOT BE LIABLE FOR ANY SPECIAL, INDIRECT, INCIDENTAL, OR CONSEQUENTIAL DAMAGES, INCLUDING WITHOUT LIMITATION, LOST REVENUES OR LOST PROFITS, WHICH MAY RESULT FROM THE USE OF THESE MATERIALS.

MACOM products are not intended for use in medical, lifesaving or life sustaining applications. MACOM customers using or selling MACOM products for use in such applications do so at their own risk and agree to fully indemnify MACOM for any damages resulting from such improper use or sale.