

2N2218, A, AL & 2N2219, A, AL

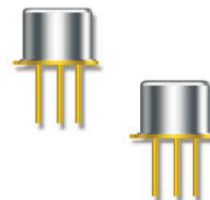


NPN Switching Silicon Transistor

Rev. V1

Features

- Available in JAN, JANTX, JANTXV and JANS per MIL-PRF-19500/251
- TO-5 & TO-39 (TO-205AD) Package



Electrical Characteristics

Parameter	Test Conditions	Part #	Units	Min.	Max.
Off Characteristics:					
Collector - Emitter Breakdown Voltage	$I_E = 10 \text{ mA}$	2N2218; 2N2219 2N2218A/AL; 2N2219A/AL	Vdc	30 50	—
Emitter - Base Cutoff Current	$V_{EB} = 5 \text{ V}$	2N2218; 2N2219	μAdc	—	10
	$V_{EB} = 6 \text{ V}$	2N2218A/AL; 2N2219A/AL	nAdc	—	10
	$V_{EB} = 4 \text{ V}$	All types			10
Collector - Emitter Cutoff Current	$V_{CE} = 30 \text{ V}$ $V_{CE} = 50 \text{ V}$	2N2218; 2N2219 2N2218A/AL; 2N2219A/AL	nAdc	—	10
Collector - Base Cutoff Current	$V_{CB} = 50 \text{ V}$	2N2218; 2N2219	nAdc	—	10
	$V_{CB} = 60 \text{ V}$	2N2218A/AL; 2N2219A/AL	nAdc	—	10
	$V_{CB} = 60 \text{ V}$	2N2218; 2N2219	μAdc	—	10
	$V_{CB} = 75 \text{ V}$	2N2218A/AL; 2N2219A/AL	μAdc	—	10
On Characteristics ¹ :					
Forward Current Transfer Ratio	$I_C = 0.1 \text{ mA}, V_{CE} = 10 \text{ V}$	2N2218	—	20	—
		2N2219		35	—
		2N2218A/AL		30	—
		2N2219A/AL		50	—
	$I_C = 1 \text{ mA}, V_{CE} = 10 \text{ V}$	2N2218		25	150
		2N2219		50	325
$I_C = 10 \text{ mA}, V_{CE} = 10 \text{ V}$	2N2218A/AL	35	150		
	2N2219A/AL	75	325		
	2N2218	35	—		
	2N2219	75	—		
$I_C = 150 \text{ mA}, V_{CE} = 10 \text{ V}$	2N2218A/AL	40	—		
	2N2219A/AL	100	—		
$I_C = 500 \text{ mA}, V_{CE} = 10 \text{ V}$	2N2218A/AL	40	120		
	2N2219A/AL	100	300		
Collector - Emitter Saturation Voltage	$I_C = 150 \text{ mA}, I_B = 15 \text{ mA}$	2N2218; 2N2219 2N2218A/AL; 2N2219A/AL	Vdc	—	0.4 0.3
	$I_C = 500 \text{ mA}, I_B = 50 \text{ mA}$	2N2218; 2N2219 2N2218A/AL; 2N2219A/AL		—	1.6 1.0

1. Pulse Test: Pulse Width = 300 μs , Duty Cycle $\leq 2.0\%$.

MACOM Technology Solutions Inc. (MACOM) and its affiliates reserve the right to make changes to the product(s) or information contained herein without notice. Visit www.macom.com for additional data sheets and product information.

For further information and support please visit:
<https://www.macom.com/support>

DC-0017531

2N2218, A, AL & 2N2219, A, AL



NPN Switching Silicon Transistor

Rev. V1

Electrical Specifications @ $T_A = 25^\circ\text{C}$

Parameter	Test Conditions	Part #	Units	Min.	Max.
On Characteristics ¹ :					
Base - Emitter Saturation Voltage	$I_C = 150\text{ mA}, I_B = 15\text{ mA}$	2N2218; 2N2219 2N2218A/AL; 2N2219A/AL	Vdc	0.6 0.6	1.3 1.2
	$I_C = 500\text{ mA}, I_B = 50\text{ mA}$	2N2218; 2N2219 2N2218A/AL; 2N2219A/AL		— —	2.6 2.0
Dynamic Characteristics:					
Small-Signal Short-Circuit, Forward Current Transfer Ratio	$I_C = 1\text{ mA}, V_{CE} = 20\text{ V}, 1\text{ kHz}$	2N2218 2N2219 2N2218A, AL 2N2219A, AL		25 50 35 75	—
Magnitude of Small-Signal Short-Circuit, Forward Current Transfer Ratio	$I_C = 20\text{ mA}, V_{CE} = 20\text{ V}, 100\text{ MHz}$	—		2.5	12
Output Capacitance	$V_{CB} = 10\text{ V}, I_E = 0, 100\text{ kHz} \leq f \leq 1\text{ MHz}$	—	pF	—	8
Input Capacitance	$V_{EB} = 0.5\text{ V}, I_C = 0, 100\text{ kHz} \leq f \leq 1\text{ MHz}$	—	pF	—	25
Switching Characteristics ² :					
Turn-On Time	$V_{CC} = 30\text{ V}, I_C = 150\text{ mA}, I_{B1} = 15\text{ mA}$	2N2218, 2N2219 2N2218A, AL, 2N2219A, AL	ns	—	40 35
Turn-Off Time	$V_{CC} = 30\text{ V}, I_C = 150\text{ mA}, I_{B1} = 15\text{ mA}$	2N2218, 2N2219 2N2218A, AL, 2N2219A, AL	ns	—	250 300

2. For Turn-On time see figure 3, and for Turn-Off time see figure 4 of MIL-PRF-19500/251.

Absolute Maximum Ratings @ $T_C = 25^\circ\text{C}$

Parameter	2N2218 & 2N2219	2N2218A; AL & 2N2219A; AL
Collector - Emitter Voltage	30 Vdc	50 Vdc
Collector - Base Voltage	60 Vdc	75 Vdc
Emitter - Base Voltage	5 Vdc	6 Vdc
Collector Current	800 mA	
Total Power Dissipation ^{3,4} $T_A = +25^\circ\text{C}$ $T_C = +25^\circ\text{C}$	0.8 W 3.0 W	
Thermal Resistance, Junction to Case	50°C/W	
Operating & Storage Temperature	-55°C to +200°C	

3. Derate linearly 4.6 mW/°C above $T_A > +25^\circ\text{C}$.

4. Derate linearly 17.0 mW/°C above $T_C > +25^\circ\text{C}$.

2

MACOM Technology Solutions Inc. (MACOM) and its affiliates reserve the right to make changes to the product(s) or information contained herein without notice. Visit www.macom.com for additional data sheets and product information.

For further information and support please visit:
<https://www.macom.com/support>

DC-0017531

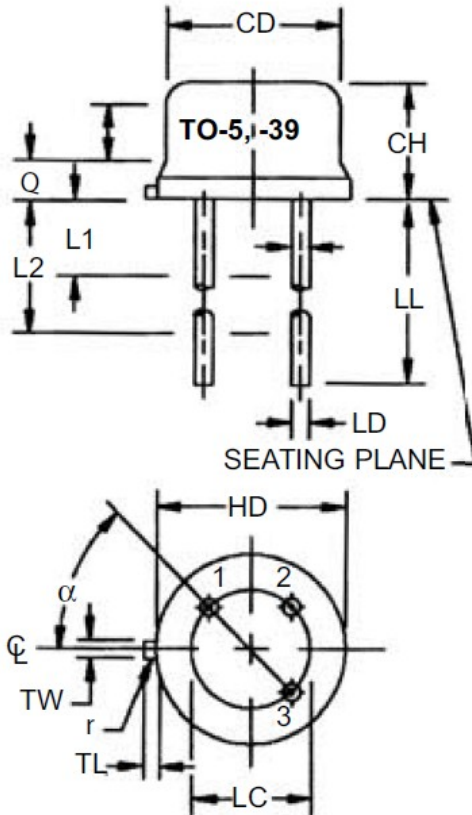
2N2218, A, AL & 2N2219, A, AL



NPN Switching Silicon Transistor

Rev. V1

Outline Drawing (TO-5 & TO-39)



LTR	Dimensions				Note
	Inches		Millimeters		
	Min.	Max.	Min.	Max.	
CD	0.305	0.335	7.75	8.51	—
CH	0.240	0.260	6.10	6.60	—
HD	0.335	0.370	8.51	9.40	—
LC	0.200 TP		5.08 TP		7
LD	0.016	0.019	0.41	0.48	8, 9
LL	See note 14				
LU	0.016	0.019	0.41	0.48	8, 9
L1	—	0.050		1.27	8, 9
L2	0.250	—	6.35	—	8, 9
P	0.100	—	2.54	—	7
Q	—	0.030	—	0.76	5
TL	0.029	0.045	0.74	1.14	3, 4
TW	0.028	0.034	0.71	0.86	3
r	—	0.010	—	0.25	10
α	45° TP		45° TP		7

1. Dimensions are in inches.
2. Millimeters are given for general information only.
3. Beyond r (radius) maximum, TW shall be held for a minimum length of .011 (0.28 mm).
4. Dimension TL measured from maximum HD.
5. Body contour optional within zone defined by HD, CD, and Q.
6. CD shall not vary more than 0.010 inch (0.25 mm) in zone P. This zone is controlled for automatic handling.
7. Leads at gauge plane 0.054 +0.001 -0.000 inch (1.37 +0.03 -0.00 mm) below seating plane shall be within 0.007 inch (0.18 mm) radius of true position (TP) at maximum material condition (MMC) relative to tab at MMC. The device may be measured by direct methods or by gauging procedure.
8. Dimension LU applies between L, and L,. Dimension LD applies between L, and LL minimum. Diameter is uncontrolled in and beyond LL minimum.
9. All three leads.
10. The collector shall be internally connected to the case.
11. Dimension r (radius) applies to both inside corners of tab.
12. In accordance with ASME Y14.5M, diameters are equivalent to Φ x symbology.
13. Lead 1 = emitter, lead 2 = base, lead 3 = collector.
14. For non-S-suffix devices (T0-5), dimension LL = 1.5 inches (38.10 mm) min. and 1.75 inches (44.45 mm) max. For S-suffix types (T0-39), dimension LL = 0.5 inch (12.70 mm) min. and 750 inch (19.05 mm) max.

2N2218, A, AL & 2N2219, A, AL



NPN Switching Silicon Transistor

Rev. V1

MACOM Technology Solutions Inc. All rights reserved.

Information in this document is provided in connection with MACOM Technology Solutions Inc ("MACOM") products. These materials are provided by MACOM as a service to its customers and may be used for informational purposes only. Except as provided in MACOM's Terms and Conditions of Sale for such products or in any separate agreement related to this document, MACOM assumes no liability whatsoever. MACOM assumes no responsibility for errors or omissions in these materials. MACOM may make changes to specifications and product descriptions at any time, without notice. MACOM makes no commitment to update the information and shall have no responsibility whatsoever for conflicts or incompatibilities arising from future changes to its specifications and product descriptions. No license, express or implied, by estoppel or otherwise, to any intellectual property rights is granted by this document.

THESE MATERIALS ARE PROVIDED "AS IS" WITHOUT WARRANTY OF ANY KIND, EITHER EXPRESS OR IMPLIED, RELATING TO SALE AND/OR USE OF MACOM PRODUCTS INCLUDING LIABILITY OR WARRANTIES RELATING TO FITNESS FOR A PARTICULAR PURPOSE, CONSEQUENTIAL OR INCIDENTAL DAMAGES, MERCHANTABILITY, OR INFRINGEMENT OF ANY PATENT, COPYRIGHT OR OTHER INTELLECTUAL PROPERTY RIGHT. MACOM FURTHER DOES NOT WARRANT THE ACCURACY OR COMPLETENESS OF THE INFORMATION, TEXT, GRAPHICS OR OTHER ITEMS CONTAINED WITHIN THESE MATERIALS. MACOM SHALL NOT BE LIABLE FOR ANY SPECIAL, INDIRECT, INCIDENTAL, OR CONSEQUENTIAL DAMAGES, INCLUDING WITHOUT LIMITATION, LOST REVENUES OR LOST PROFITS, WHICH MAY RESULT FROM THE USE OF THESE MATERIALS.

MACOM products are not intended for use in medical, lifesaving or life sustaining applications. MACOM customers using or selling MACOM products for use in such applications do so at their own risk and agree to fully indemnify MACOM for any damages resulting from such improper use or sale.