

MAMF-01119

Integrated Switch and LNA Module, 1.0 – 6.0 GHz

MACOMTM

Production

> Features:

- High Power SPDT Switch and 2-Stage LNA
- No External Matching Components Required
- RX Mode Gain:
 - 35.0 dB @ 2.50 GHz
 - 34.5 dB @ 3.75 GHz
 - 33.5 dB @ 4.50 GHz
- RX Mode Noise Figure:
 - 1.2 dB @ 2.50 GHz
 - 1.3 dB @ 3.75 GHz
 - 1.5 dB @ 4.50 GHz
- TX Mode at 2.3 - 5.0 GHz:
 - Insertion Loss: 0.4 dB
 - P0.1dB: 40.5 dBm
- Single 5 V Bias
- Low DC Current: 78 mA in RX Mode
- Integrated Control Circuitry with 1.8 V Logic
- Lead-Free 6 mm 20 Lead QFN Package

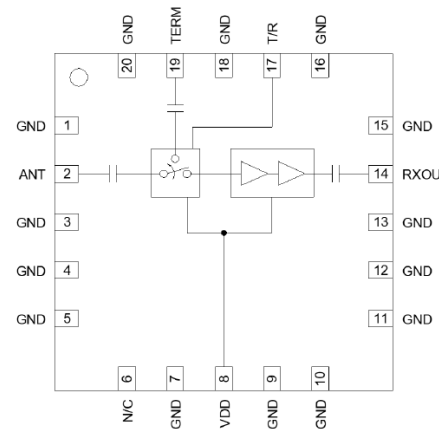
> Additional Information:

- Export Compliance; ECCN EAR99
- In Mass Production

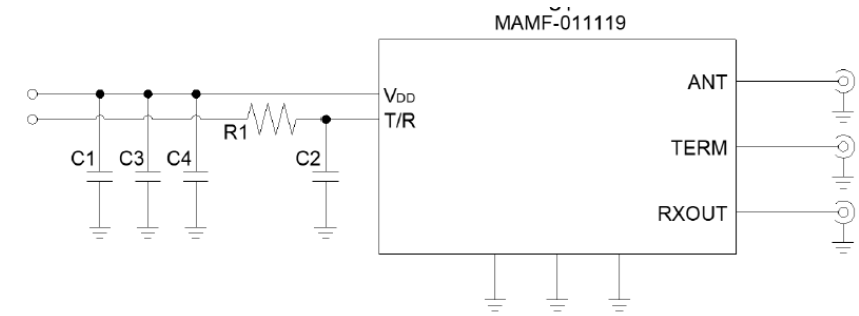
> Target Markets and Applications:

- 5G mMIMO, Wireless Infra, Milcom

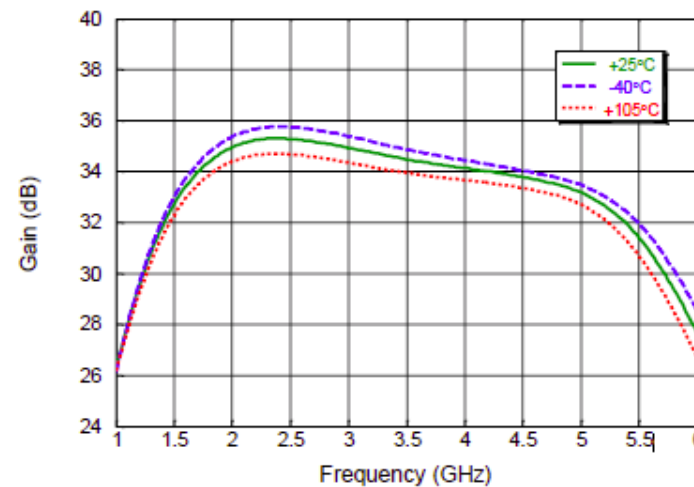
Functional Schematic



Application Schematic



ANT to RXOUT Gain¹⁰ - RX Mode



ANT Port Return Loss - RX Mode

