

Features

- Attenuation: 2 dB steps to 30 dB
- Temperature Stability: ± 0.18 dB from -55°C to $+85^{\circ}\text{C}$ Typical
- Low DC Power Consumption
- Hermetic Surface Mount Package
- Fast Switching Speed, 12 ns Typical
- 50 Ohm Nominal Impedance
- Lead-Free CR-6 Package
- 260°C Reflow Compatible
- RoHS* Compliant

Description

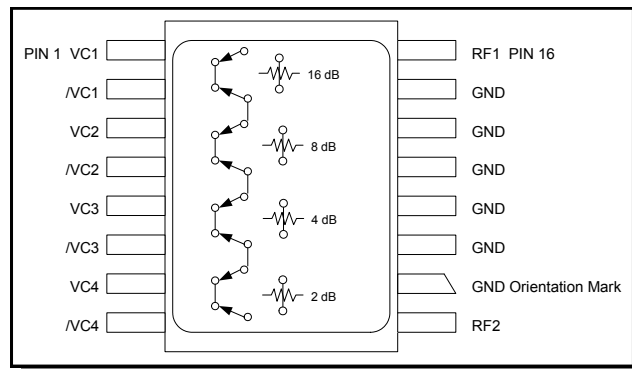
M/A-COM's AT-232-PIN is a GaAs FET 4-bit digital attenuator with a 2 dB minimum step size and 30 dB total attenuation. This attenuator is in a hermetically sealed ceramic 16-lead surface mount package. The AT-232-PIN is ideally suited for use where accuracy, fast switching, very low power consumption and low intermodulation products are required. Typical applications include dynamic range setting in precision receiver circuits and other gain/leveling control circuits. Environmental screening is available. Contact the factory for information.

Ordering Information

Part Number	Package
AT-232-PIN	Bulk Packaging

Note: Reference Application Note M513 for reel size information.

Functional Schematic



Pin Configuration

Pin No.	Function	Pin No.	Function
1	VC1	9	RF2
2	/VC1	10	GND
3	VC2	11	GND
4	/VC2	12	GND
5	VC3	13	GND
6	/VC3	14	GND
7	VC4	15	GND
8	/VC4	16	RF1

The metal bottom of the case must be connected to RF and DC ground.

Digital Attenuator 30.0 dB, 4-Bit, TTL Driver, DC-2.0 GHz

Rev. V5

Electrical Specifications: From -55°C to $+85^{\circ}\text{C}$ ¹

Parameter	Test Conditions	Frequency	Units	Min	Typ	Max
Reference Insertion Loss	—	DC - 0.5 GHz	dB	—	—	2.0
		DC - 1.0 GHz	dB	—	—	2.3
		DC - 2.0 GHz	dB	—	—	2.5
Attenuation Accuracy ²	Any Single Bit	DC - 1.0 GHz DC - 2.0 GHz	$\pm (0.15 \text{ dB} + 3\% \text{ of atten setting in dB}) \text{ dB}$ $\pm (0.2 \text{ dB} + 3\% \text{ of atten setting in dB}) \text{ dB}$ Or $\pm 0.45 \text{ dB}$, whichever is greater			
	Any Combination of Bits	DC - 1.0 GHz DC - 2.0 GHz	$\pm (0.22 \text{ dB} + 3\% \text{ of atten setting in dB}) \text{ dB}$ $\pm (0.25 \text{ dB} + 4\% \text{ of atten setting in dB}) \text{ dB}$ Or $\pm 0.45 \text{ dB}$, whichever is greater			
VSWR	—	DC - 2.0 GHz	Ratio	—	—	1.6:1
Trise, Tfall	10% to 90%	—	ns	—	12	—
Ton, Toff	50% Control to 90/10% RF	—	ns	—	18	—
Transients	In-Band (peak-peak)	—	mV	—	25	—
1 dB Compression	Input Power Input Power	0.05 GHz	dBm	—	+20	—
		0.5 - 2.0 GHz	dBm	—	+28	—
Input IP3	For two-tone Input Power Up to +5 dBm	0.05 GHz	dBm	—	+40	—
		0.5 - 2.0 GHz	dBm	—	+50	—
Input IP2	For two-tone Input Power Up to +5 dBm	0.05 GHz	dBm	—	+45	—
		0.5 - 2.0 GHz	dBm	—	+68	—
Input Leakage Current (Low)	-0.2 to 0V	—	μA	—	—	20
Input Leakage Current (High)	-8.0 to -5.0V	—	μA	—	—	200

1. All specifications apply when operated with control voltages of 0.0V to -5.0V.
2. This attenuator is guaranteed monotonic.

Absolute Maximum Ratings^{3,4}

Parameter	Absolute Maximum
Max Input Power 0.05 GHz 0.5 - 2.0 GHz	+27 dBm +34 dBm
Control Voltage	$-8.5 \text{ V} \leq V_c \leq +5 \text{ V}$
Operating Temperature	-55°C to $+125^{\circ}\text{C}$
Storage Temperature	-65°C to $+150^{\circ}\text{C}$

3. Exceeding any one or combination of these limits may cause permanent damage to this device.
4. M/A-COM does not recommend sustained operation near these survivability limits.

Handling Procedures

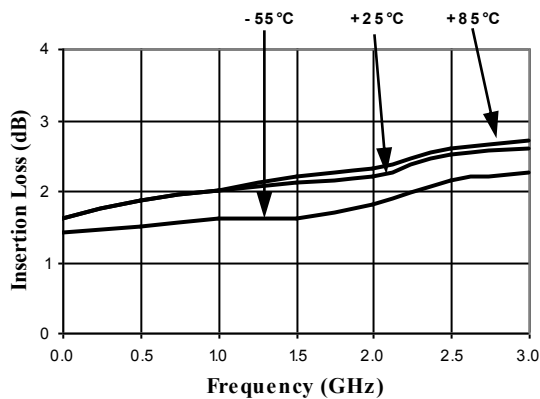
Please observe the following precautions to avoid damage:

Static Sensitivity

Gallium Arsenide Integrated Circuits are sensitive to electrostatic discharge (ESD) and can be damaged by static electricity. Proper ESD control techniques should be used when handling these devices.

Typical Performance Curves

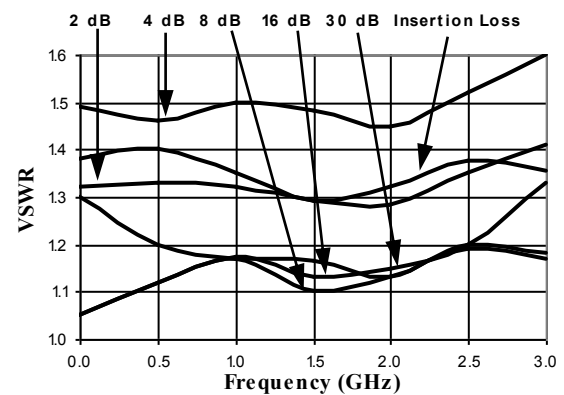
Ref. Insertion Loss vs. Frequency



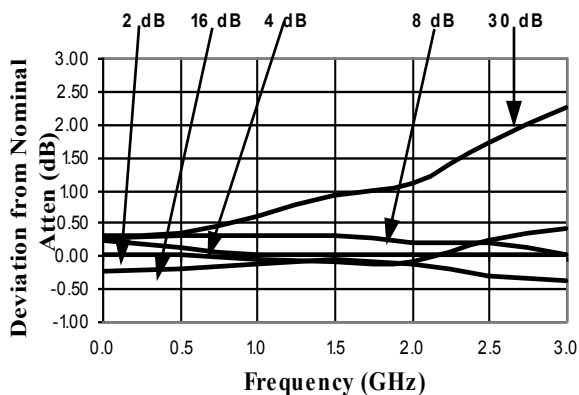
Truth Table (Digital Attenuator)

Control Inputs								Atten. (dB)
/VC4	VC4	/VC3	VC3	/VC2	VC2	/VC1	VC1	
-5V	0V	-5V	0V	-5V	0V	-5V	0V	Ref.
0V	-5V	-5V	0V	-5V	0V	-5V	0V	2 dB
-5V	0V	0V	-5V	-5V	0V	-5V	0V	4 dB
-5V	0V	-5V	0V	0V	-5V	-5V	0V	8 dB
-5V	0V	-5V	0V	-5V	0V	0V	-5V	16 dB
0V	-5V	0V	-5V	0V	-5V	0V	-5V	30 dB

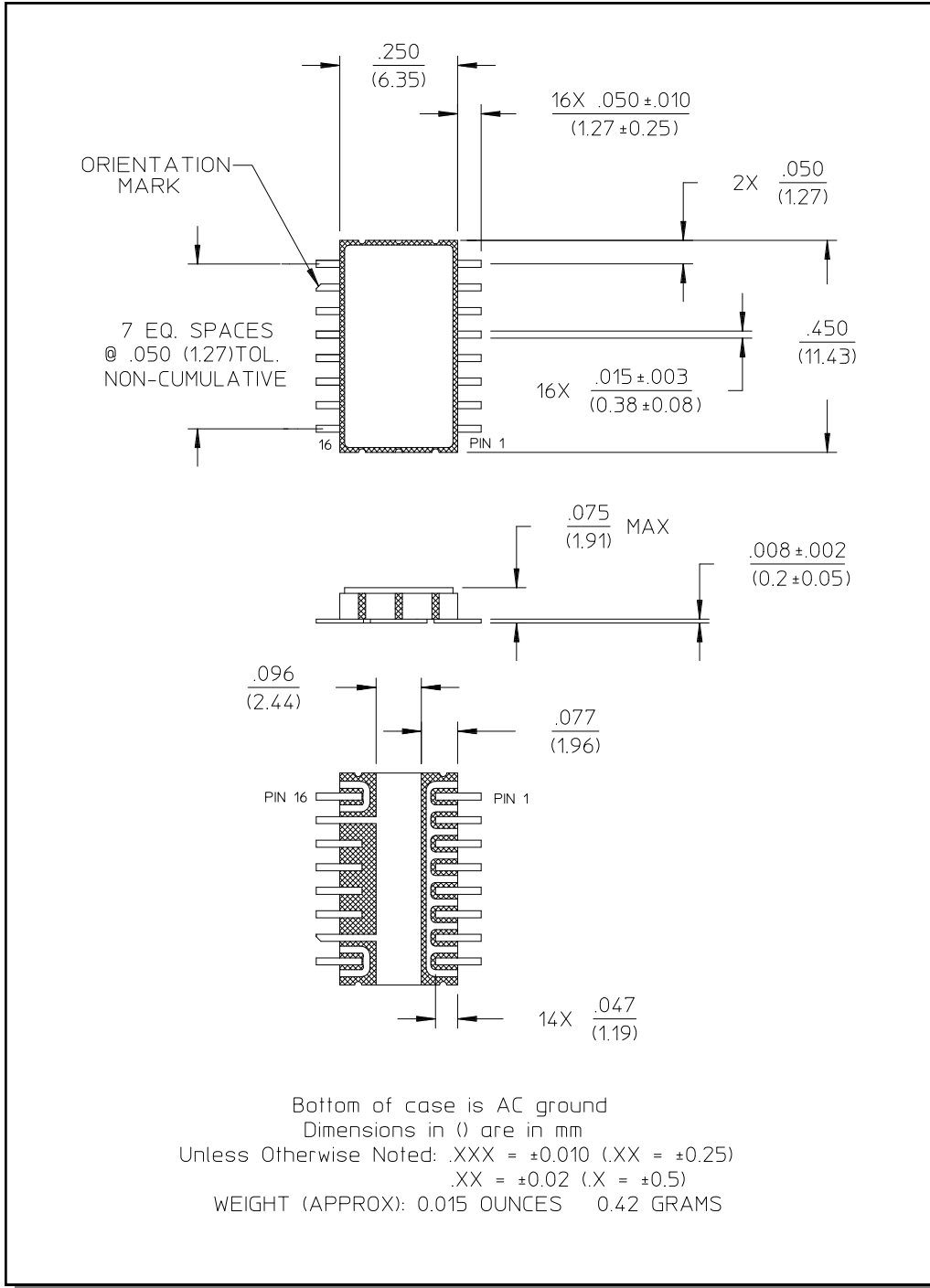
VSWR vs. Frequency



Attenuation Accuracy vs. Frequency



Lead-Free, CR-6 Ceramic Package[†]



[†] Reference Application Note M538 for lead-free solder reflow recommendations.

M/A-COM Technology Solutions Inc. All rights reserved.

Information in this document is provided in connection with M/A-COM Technology Solutions Inc ("MACOM") products. These materials are provided by MACOM as a service to its customers and may be used for informational purposes only. Except as provided in MACOM's Terms and Conditions of Sale for such products or in any separate agreement related to this document, MACOM assumes no liability whatsoever. MACOM assumes no responsibility for errors or omissions in these materials. MACOM may make changes to specifications and product descriptions at any time, without notice. MACOM makes no commitment to update the information and shall have no responsibility whatsoever for conflicts or incompatibilities arising from future changes to its specifications and product descriptions. No license, express or implied, by estoppel or otherwise, to any intellectual property rights is granted by this document.

THESE MATERIALS ARE PROVIDED "AS IS" WITHOUT WARRANTY OF ANY KIND, EITHER EXPRESS OR IMPLIED, RELATING TO SALE AND/OR USE OF MACOM PRODUCTS INCLUDING LIABILITY OR WARRANTIES RELATING TO FITNESS FOR A PARTICULAR PURPOSE, CONSEQUENTIAL OR INCIDENTAL DAMAGES, MERCHANTABILITY, OR INFRINGEMENT OF ANY PATENT, COPYRIGHT OR OTHER INTELLECTUAL PROPERTY RIGHT. MACOM FURTHER DOES NOT WARRANT THE ACCURACY OR COMPLETENESS OF THE INFORMATION, TEXT, GRAPHICS OR OTHER ITEMS CONTAINED WITHIN THESE MATERIALS. MACOM SHALL NOT BE LIABLE FOR ANY SPECIAL, INDIRECT, INCIDENTAL, OR CONSEQUENTIAL DAMAGES, INCLUDING WITHOUT LIMITATION, LOST REVENUES OR LOST PROFITS, WHICH MAY RESULT FROM THE USE OF THESE MATERIALS.

MACOM products are not intended for use in medical, lifesaving or life sustaining applications. MACOM customers using or selling MACOM products for use in such applications do so at their own risk and agree to fully indemnify MACOM for any damages resulting from such improper use or sale.